



WTA Series #6 - 4/0 Series Wedge Tap Connectors

AFL Wedge Tap Connectors are used to make complete aluminum-to-aluminum and aluminum-to-copper electrical connections. The bolted wedge technology makes installations quicker, easier and safer when compared with traditional tap connectors by eliminating the need for specialized tooling for the same type of connection. Once the appropriate pressure is obtained by the wedge, the breakaway bolt will shear off giving a visual indication that a correct installation has been made.

The connector is rated for the full current of the conductors within its range. As the conductors expand and contract under thermal cycling, the C-shaped body operates within the elastic region of its mechanical properties, allowing the connection to maintain constant pressure, resulting in reliability of performance.

This connector is reusable and can easily be removed by backing out the bolt, which will drive out the wedge. AFL recommends replacing the bolt and applying more inhibitor grease when reusing.

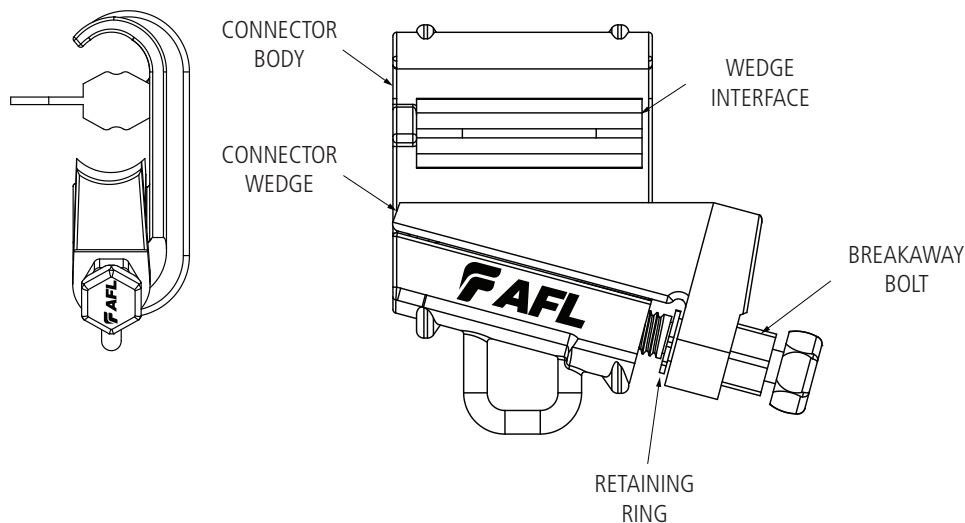
The wedge tap connectors are comprised of high strength aluminum castings, a breakaway bolt and a highly conductive aluminum interface, providing a secure, reliable solution with an installation that is both fast and simple.

Standard Packaging

QUANTITY	WEIGHT
50	25 lbs

Features

- Material
 - Connector Body—Aluminum Alloy
 - Connector Wedge—Aluminum Alloy
 - Breakaway Bolt—Aluminum
 - Retaining Ring—Steel
 - Connector Interface—6101-T6
- Breakaway Bolt Torque: 10-12 ft-lbs
 - Bolt Head size: 5/8"
- For use on ACSR, AAC and AAAC conductors
- For Aluminum-to-Copper connections, the copper wire should be located on the bottom in order to minimize contamination.



** Not rated for HT Conductors*

continued
➔

WTA Series #6 - 4/0 Series Wedge Tap Connectors (cont.)

Ordering Information

LINE NO.	AFL NO.	RUN		TAP		CPI NO.
		CONDUCTOR SIZE	CONDUCTOR DIAMETER RANGE	CONDUCTOR SIZE	CONDUCTOR DIAMETER RANGE	
1	WTA-162/162	#6	0.162" - 0.232"	#6, #4 SOLID	0.162" - 0.204"	640101
2	WTA-232/162	#4, #2, #1 AAC	0.232" - 0.328"	#6, #4 SOLID	0.162" - 0.231"	240100
3	WTA-232/232			#4	0.232" - 0.291"	240101
4	WTA-232/292			#2, #1 AAC	0.292" - 0.328"	240102
5	WTA-354/198	#1 ACSR, 1/0, 2/0 AAC	0.354" - 0.414"	#6 ACSR, #4 AAC	0.198" - 0.231"	210103
6	WTA-354/232			#4 AAC, #2, #1 AAC	0.232" - 0.353"	210105
7	WTA-354/354			#1 ACSR, 1/0, 2/0 AAC	0.354" - 0.414"	210106
8	WTA-447/198	2/0 ACSR, 3/0	0.447" - 0.502"	#6 ACSR, #4 AAC	0.198" - 0.231"	230107
9	WTA-447/232			#4, #2 AAC	0.232" - 0.291"	230108
10	WTA-447/292			#2 AAC, #1	0.292" - 0.353"	230109
11	WTA-447/354			#1 ACSR, 1/0, 2/0 AAC	0.354" - 0.446"	230110
12	WTA-447/447			2/0 ACSR, 3/0	0.447" - 0.502"	230111
13	WTA-502/198			3/0 ACSR, 4/0, 250 AAC	0.502" - 0.574"	#6 ACSR, #4 AAC
14	WTA-502/250	#4 ACSR, #2, #1 AAC	0.250" - 0.353"			264112
15	WTA-502/354	#1 ACSR, 1/0, 2/0 AAC	0.354" - 0.446"			264113
16	WTA-502/447	2/0 ACSR, 3/0	0.447" - 0.521"			264114
17	WTA-502/522	4/0, 250 AAC	0.522" - 0.574"			264115

* For Replacement Breakaway Bolts, see page 17 of the TAPLINK® catalog for ordering information.

Qualifications

GOVERNING BODY	STANDARD CODE
ANSI	C119.4

Contact AFL for further details.



WTA Series 350 Series Wedge Tap Connectors

AFL Wedge Tap Connectors are used to make complete aluminum-to-aluminum and aluminum-to-copper electrical connections. The bolted wedge technology makes installations quicker, easier and safer when compared with traditional tap connectors by eliminating the need for specialized tooling for the same type of connection. Once the appropriate pressure is obtained by the wedge, the breakaway bolt will shear off giving a visual indication that a correct installation has been made.

The connector is rated for the full current of the conductors within its range. As the conductors expand and contract under thermal cycling, the C-shaped body operates within the elastic region of its mechanical properties, allowing the connection to maintain constant pressure, resulting in reliability of performance.

This connector is reusable and can easily be removed by backing out the bolt, which will drive out the wedge. AFL recommends replacing the bolt and applying more inhibitor grease when reusing.

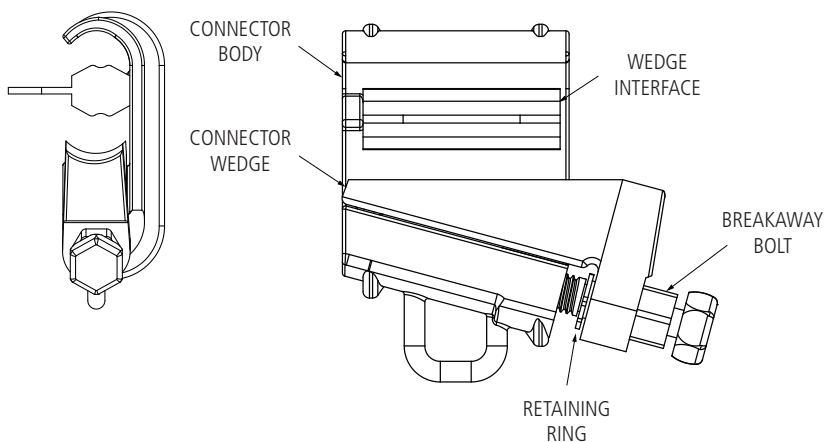
The wedge tap connectors are comprised of high strength aluminum castings, a breakaway bolt and a highly conductive aluminum interface, providing a secure, reliable solution with an installation that is both fast and simple.

Standard Packaging

QUANTITY	WEIGHT
50	25 lbs

Features

- Material
 - Connector Body—Aluminum Alloy
 - Connector Wedge—Aluminum Alloy
 - Breakaway Bolt—Aluminum
 - Retaining Ring—Steel
 - Connector Interface—6101-T6
- Breakaway Bolt Torque: 10-12 ft-lbs
 - Bolt Head size: 5/8"
- For use on ACSR, AAC and AAAC conductors
- For Aluminum-to-Copper connections, the copper wire should be located on the bottom in order to minimize contamination.



* Not rated for HT Conductors

continued
→

WTA Series
350 Series Wedge Tap Connectors (cont.)

Ordering Information

LINE NO.	AFL NO.	RUN		TAP		CPI NO.
		CONDUCTOR SIZE	CONDUCTOR DIAMETER RANGE	CONDUCTOR SIZE	CONDUCTOR DIAMETER RANGE	
1	WTA-609/162	266.8 ACSR, 300 MCM, 336.4 AAC, 336.4 ACSR 18/1, 350 MCM	0.609" - 0.684"	#6, #4 AAC	0.162" - 0.231"	350117
2	WTA-609/232			#4	0.232" - 0.291"	350118
3	WTA-609/292			#2, #1 AAC	0.292" - 0.327"	350119
4	WTA-609/328			#1, 1/0 AAC	0.328" - 0.397"	350120
5	WTA-609/398			1/0 ACSR, 2/0	0.398" - 0.446"	350121
6	WTA-609/447			2/0 ACSR, 3/0	0.447" - 0.521"	350122
7	WTA-609/522			4/0, 250	0.522" - 0.591"	350123
8	WTA-609/592			266.8 - 19 AAC, 300 AAC, 266.8 ACSR	0.592" - 0.664"	350124
9	WTA-609/665			300 ACSR 26/7, 350, 336.4 18/1	0.665" - 0.684"	350125

* For Replacement Breakaway Bolts, see page 17 of the TAPLINK® catalog for ordering information.

Qualifications

GOVERNING BODY	STANDARD CODE
ANSI	C119.4

Contact AFL for further details.



WTB Series 336.4 - 636 Series Wedge Tap Connectors

AFL Wedge Tap Connectors are used to make complete aluminum-to-aluminum and aluminum-to-copper electrical connections. The bolted wedge technology makes installations quicker, easier and safer when compared with traditional tap connectors by eliminating the need for specialized tooling for the same type of connection. Once the appropriate pressure is obtained by the wedge, the breakaway bolt will shear off giving a visual indication that a correct installation has been made.

The connector is rated for the full current of the conductors within its range. As the conductors expand and contract under thermal cycling, the C-shaped body operates within the elastic region of its mechanical properties, allowing the connection to maintain constant pressure, resulting in reliability of performance.

This connector is reusable and can easily be removed by backing out the bolt, which will drive out the wedge. AFL recommends replacing the bolt and applying more inhibitor grease when reusing.

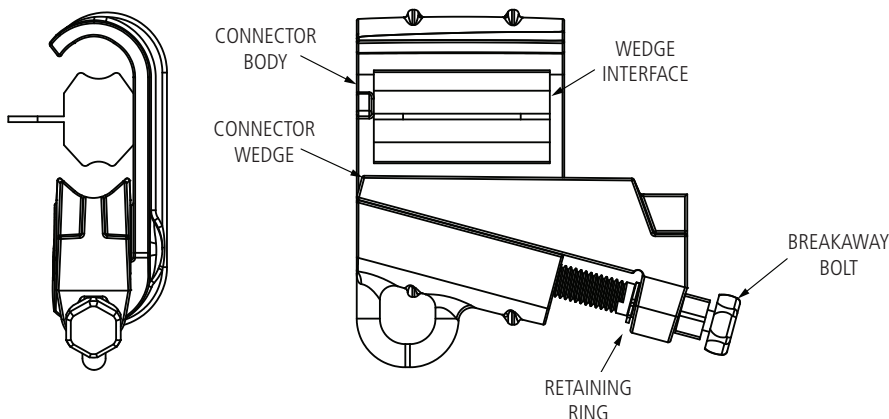
The wedge tap connectors are comprised of high strength aluminum castings, a breakaway bolt and a highly conductive aluminum interface, providing a secure, reliable solution with an installation that is both fast and simple.

Standard Packaging

QUANTITY	WEIGHT
25	32 lbs

Features

- Material
 - Connector Body—Aluminum Alloy
 - Connector Wedge—Aluminum Alloy
 - Breakaway Bolt—Aluminum
 - Retaining Ring—Steel
 - Connector Interface—6101-T6
- Breakaway Bolt Torque: 10-12 ft-lbs
 - Bolt Head size: 3/4"
- For use on ACSR, AAC and AAAC
- For Aluminum-to-Copper connections, the copper wire should be located on the bottom in order to minimize contamination.



* Not rated for HT Conductors

continued
→

WTB Series
336.4 - 636 Series Wedge Connectors (cont.)

Ordering Information

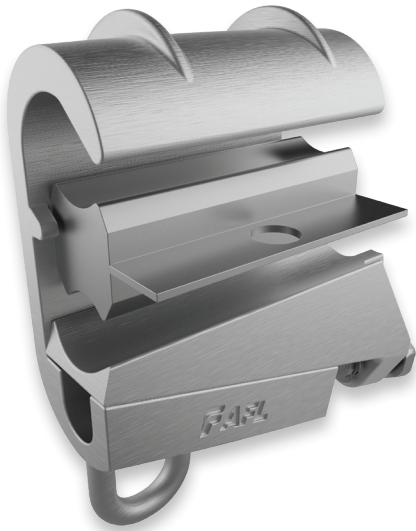
LINE NO.	AFL NO.	RUN		TAP		CPI NO.
		CONDUCTOR SIZE	CONDUCTOR DIAMETER RANGE	CONDUCTOR SIZE	CONDUCTOR DIAMETER RANGE	
1	WTB-666/162	336.4, 350 MCM, 397 ACSR 18/1	0.666" - 0.743"	#6, #4	0.162" - 0.256"	336200
2	WTB-666/257			#4 ACSR, #2, 1/0 AAC	0.257" - 0.367"	336104
3	WTB-666/368			1/0, 2/0, 3/0	0.368" - 0.521"	336012
4	WTB-666/522			4/0 ACSR, 266.8 AAC	0.522" - 0.641"	336866
5	WTB-666/642			266.8 ACSR 36/7, 336.4, 397.5	0.642" - 0.806"	336718
6	WTB-769/184	397 ACSR 24/7, 450 MCM, 477, 500 MCM, 556.5 AAC	0.769" - 0.858"	#6 AAC, #4, #2	0.184" - 0.316"	477057
7	WTB-769/292			#2, 1/0	0.292" - 0.398"	477962
8	WTB-769/398			1/0 ACSR, 2/0, 3/0 AAC	0.398" - 0.501"	477853
9	WTB-769/502			3/0 ACSR, 4/0, 250, 266.8, 300 AAC	0.502" - 0.627"	477724
10	WTB-769/628			266.8 ACSR 36/7, 300 AAC, 336.4, 397.5 ACSR 24/7	0.628" - 0.772"	477633
11	WTB-769/720			336.4 ACSR 26/7, 397, 477, 500 MCM, 556 AAC	0.720" - 0.858"	477434
12	WTB-856/162	477 ACSR 26/7, 556, 600 MCM, 636 ACSR 18/1, 605 ACSR	0.856" - 0.953"	#6, #4, #2	0.162" - 0.316"	556956
13	WTB-856/292			#2, #1, 1/0	0.292" - 0.398"	556892
14	WTB-856/368			1/0, 2/0, 3/0, 4/0 AAC	0.368" - 0.521"	556783
15	WTB-856/522			4/0, 250, 266.8, 300 MCM, 336 AAC, 350 MCM	0.522" - 0.679"	556638
16	WTB-856/680			350 MCM, 336.4, 397.5, 477 AAC	0.680" - 0.806"	556504
17	WTB-856/795			397 ACSR 30/7, 477, 500 MCM, 556.5, 636 AAC	0.795" - 0.918"	556294
18	WTB-856/914			556.5 ACSR 24/7, 636 AAC, 636 ACSR 18/1, 605	0.914" - 0.952"	556294-1

* For Replacement Breakaway Bolts, see page 17 of the TAPLINK® catalog for ordering information.

Qualifications

GOVERNING BODY	STANDARD CODE
ANSI	C119.4

Contact AFL for further details.



WTC Series 795 - 1272 Series Wedge Tap Connectors

AFL Wedge Tap Connectors are used to make complete aluminum-to-aluminum and aluminum-to-copper electrical connections. The bolted wedge technology makes installations quicker, easier and safer when compared with traditional tap connectors by eliminating the need for specialized tooling for the same type of connection. Once the appropriate pressure is obtained by the wedge, the breakaway bolt will shear off giving a visual indication that a correct installation has been made.

The connector is rated for the full current of the conductors within its range. As the conductors expand and contract under thermal cycling, the C-shaped body operates within the elastic region of its mechanical properties, allowing the connection to maintain constant pressure, resulting in reliability of performance.

This connector is reusable and can easily be removed by backing out the bolt, which will drive out the wedge. AFL recommends replacing the bolt and applying more inhibitor grease when reusing.

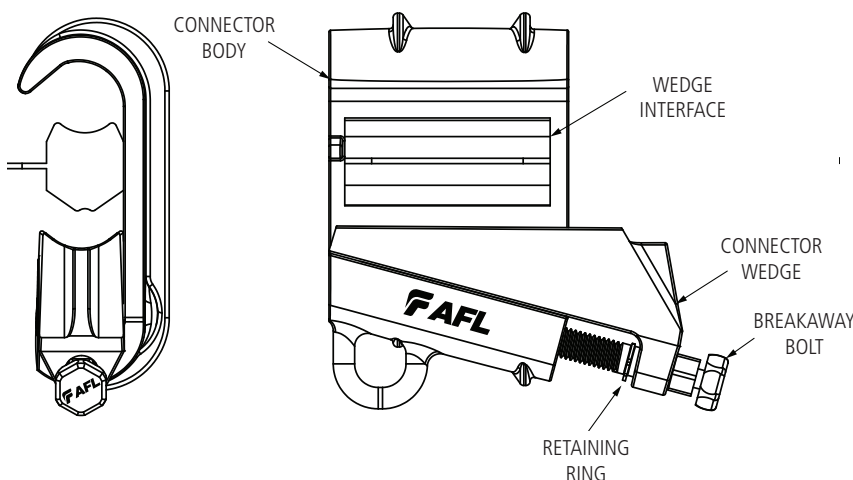
The wedge tap connectors are comprised of high strength aluminum castings, a breakaway bolt and a highly conductive aluminum interface, providing a secure, reliable solution with an installation that is both fast and simple.

Standard Packaging

QUANTITY	WEIGHT
20	40 lbs

Features

- Material
 - Connector Body—Aluminum Alloy
 - Connector Wedge—Aluminum Alloy
 - Breakaway Bolt—Aluminum
 - Retaining Ring—Steel
 - Connector Interface—6101-T6
- Breakaway Bolt Torque: 10-12 ft-lbs
 - Bolt Head size: 3/4"
- For use on ACSR, AAC and AAAC
- For Aluminum-to-Copper connections, the copper wire should be located on the bottom in order to minimize contamination.



* Not rated for HT Conductors

continued
→

WTC Series 795 - 1272 Series Wedge Tap Connectors (cont.)

Ordering Information

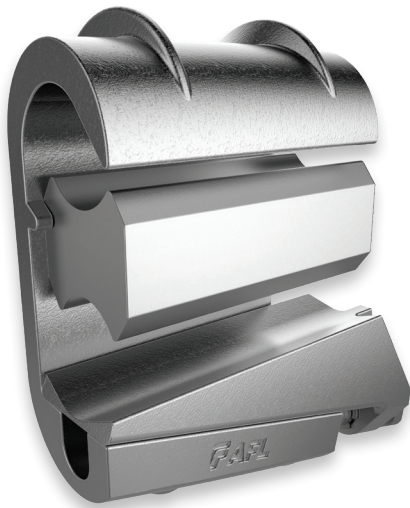
LINE NO.	AFL NO.	RUN		TAP		CPI NO.
		CONDUCTOR SIZE	CONDUCTOR DIAMETER RANGE	CONDUCTOR SIZE	CONDUCTOR DIAMETER RANGE	
1	WTC-973/162	636 ACSR, 715, 750 MCM, 795, 900 MCM	0.973" - 1.108"	#6, #4, #2 AAC	0.162" - 0.315"	795454
2	WTC-973/316			#2 ACSR, #1, 1/0, 2/0 AAC	0.316" - 0.446"	795360
3	WTC-973/447			2/0 ACSR, 3/0, 4/0, 250 AAC	0.447" - 0.585"	795218
4	WTC-973/586			266.8, 300 MCM, 350 MCM, 336.4 ACSR 18/1	0.586" - 0.719"	795050
5	WTC-973/720			336.4 ACSR 26/7, 450 MCM, 500 MCM, 477, 556.5 AAC	0.720" - 0.878"	795920
6	WTC-973/879			477 ACSR 30/7, 556.5 ACSR, 600 MCM, 605 MCM, 636 ACSR 18/1, 715.5 AAC	0.879" - 0.990"	795730
7	WTC-973/991			636 ACSR 26/7, 750 MCM, 715, 795, 900 MCM	0.991" - 1.108"	795594
8	WTC-1124/162	954, 900 ACSR, 1000 MCM, 1113 AAC, 1033.5 AAC	1.124" - 1.196"	#6, #4, #2 AAC	0.162" - 0.315"	954420
9	WTC-1124/316			#2 ACSR, #1, 1/0, 2/0 AAC	0.316" - 0.446"	954320
10	WTC-1124/447			2/0 ACSR, 3/0, 4/0, 250 AAC	0.447" - 0.585"	954175
11	WTC-1124/586			266.8, 300 MCM, 350 MCM, 366.4 ACSR 18/1	0.586" - 0.719"	954030
12	WTC-1124/720			366.4 ACSR 26/7, 450 MCM, 397.5, 477, 500 MCM, 556.5 AAC	0.720" - 0.857"	954870
13	WTC-1124/858			477 ACSR 26/7, 556, 605, 715 AAC, 636 ACSR 26/7	0.858" - 0.999"	954660
14	WTC-1124/1000			666.6 ACSR 24/7, 715 ACSR, 795, 900 AAC	1.000" - 1.106"	954484
15	WTC-1124/1107	795 ACSR 26/7, 954, 1113 MCM, 900 ACSR, 1000 MCM, 1033.5 AAC	1.107" - 1.196"	954390		
16	WTC-1212/162	1033.5 ACSR, 1113 ACSR, 1192 AAC, 1272 AAC	1.212" - 1.300"	#6, #4, #2 AAC	0.162" - 0.315"	103370
17	WTC-1212/316			#2 ACSR, #1, 1/0, 2/0 AAC	0.316" - 0.446"	103260
18	WTC-1212/447			2/0 ACSR, 3/0, 4/0 AAC	0.447" - 0.562"	103110
19	WTC-1212/563			4/0 ACSR, 250 MCM, 266.8, 300 MCM	0.563" - 0.664"	103945
20	WTC-1212/665			350 MCM, 336.4, 397.5, 450 MCM	0.665" - 0.794"	103780
21	WTC-1212/795			397.5 ACSR 30/7, 477, 500 MCM, 556 AAC, 600 MCM	0.795" - 0.913"	119793
22	WTC-1212/914			556.5 ACSR 24/7, 636, 715 ACSR 24/7, 750 MCM, 795 AAC	0.914" - 1.039"	103680
23	WTC-1212/1040			795 ACSR 36/1, 900, 954 AAC, 1000 AAC, 1113 MCM	1.040" - 1.161"	103580
24	WTC-1212/1162			900 ACSR 45/7, 1033.5, 954 ACSR, 1192.5 AAC	1.162" - 1.258"	103380
25	WTC-1212/1212			1113 ACSR, 1272 AAC	1.212" - 1.300"	119250

* For Replacement Breakaway Bolts, see page 17 of the TAPLINK® catalog for ordering information.

Qualifications

GOVERNING BODY	STANDARD CODE
ANSI	C119.4

Contact AFL for further details.



WTD Series 1272 - 1590 Series Wedge Tap Connectors

AFL Wedge Tap Connectors are used to make complete aluminum-to-aluminum and aluminum-to-copper electrical connections. The bolted wedge technology makes installations quicker, easier and safer when compared with traditional tap connectors by eliminating the need for specialized tooling for the same type of connection. Once the appropriate pressure is obtained by the wedge, the breakaway bolt will shear off giving a visual indication that a correct installation has been made.

The connector is rated for the full current of the conductors within its range. As the conductors expand and contract under thermal cycling, the C-shaped body operates within the elastic region of its mechanical properties, allowing the connection to maintain constant pressure, resulting in reliability of performance.

This connector is reusable and can easily be removed by backing out the bolt, which will drive out the wedge. AFL recommends replacing the bolt and applying more inhibitor grease when reusing.

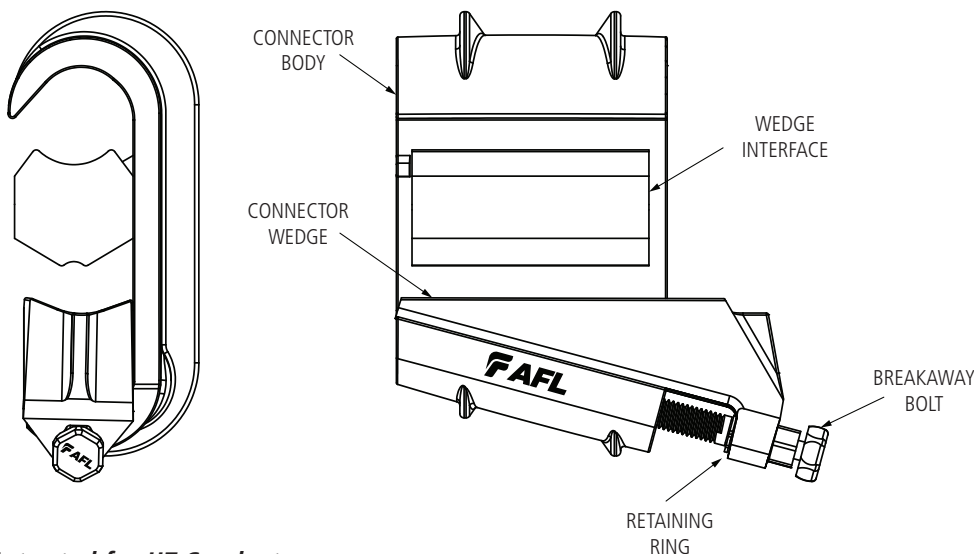
The wedge tap connectors are comprised of high strength aluminum castings, a breakaway bolt and a highly conductive aluminum interface, providing a secure, reliable solution with an installation that is both fast and simple.

Standard Packaging

QUANTITY	WEIGHT
10	32 lbs

Features

- Material
 - Connector Body—Aluminum Alloy
 - Connector Wedge—Aluminum Alloy
 - Breakaway Bolt—Aluminum
 - Retaining Ring—Steel
 - Connector Interface—6101-T6
- Breakaway Bolt Torque: 10-12 ft-lbs
 - Bolt Head size: 3/4"
- For use on ACSR, AAC and AAAC
- For Aluminum-to-Copper connections, the copper wire should be located on the bottom in order to minimize contamination.



** Not rated for HT Conductors*

continued
→

WTD Series 1272 - 1590 Series Wedge Tap Connectors (cont.)

Ordering Information

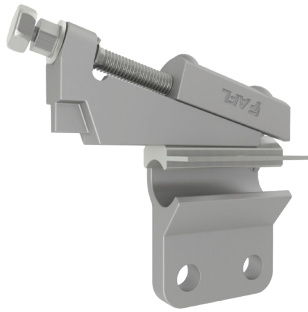
LINE NO.	AFL NO.	RUN		TAP		CPI NO.
		CONDUCTOR SIZE	CONDUCTOR DIAMETER RANGE	CONDUCTOR SIZE	CONDUCTOR DIAMETER RANGE	
1	WTD-1345/316	1272 ACSR 45/7 1272 ACSR 54/19 1351.5 ACSR 54/19 1431 AAC 61 1590 AAC 61 1590 ACSR 45/7	1.345" - 1.504"	#2 ACSR, #1, 1/0, 2/0, 4/0 AAC, 3/0 ACSR	0.316" - 0.550"	135002, 159400
2	WTD-1345/551			250 AAC, 336.4 ACSR 26/7, 397 AAC	0.551" - 0.731"	159336
3	WTD-1345/732			336.4 ACSR 30/7, 450 MCM, 500 MCM, 477, 556.5 AAC, 477 ACSR 26/7	0.732" - 0.861"	135397
4	WTD-1345/862			556.5 ACSR 30/7, 605 ACSR 26/7, 715 AAC	0.862" - 0.979"	—
5	WTD-1345/980			636 ACSR 18/1, 795 AAC, 795 ACSR 36/1	0.980" - 1.087"	159795, 135636, 159796
6	WTD-1345/1088			795 ACSR 54/7, 954 ACSR 45/7, 900, 1000, 1033.5 AAC	1.088" - 1.185"	127954
7	WTD-1345/1186			954 ACSR 54/7, 1113 ACSR 45/7, 1113, 1192.5 AAC	1.186" - 1.275"	—
8	WTD-1345/1276			1272 ACSR 45/7, 1272, 1351.5 AAC	1.276" - 1.356"	127127, 127143, 159127
9	WTD-1345/1357			1272 ACSR 54/19, 1431 AAC, 1431 ACSR 45/7	1.357" - 1.431"	135135, 127128
10	WTD-1345/1432			1590 AAC, 1590 ACSR 45/7	1.432" - 1.504"	159159

* For Replacement Breakaway Bolts, see page 17 of the TAPLINK® catalog for ordering information.

Qualifications

GOVERNING BODY	STANDARD CODE
ANSI	C119.4

Contact AFL for further details.



2-HOLE PAD TAP



4-HOLE PAD TAP

Wedge Pad Tap Connectors

The C-shaped body of AFL's Pad Tap connector includes a 2-hole or 4-hole NEMA pad that can be used to connect various NEMA devices to aluminum and copper conductors. The bolted wedge technology makes installations quicker, easier and safer when compared with traditional tap connectors by eliminating the need for specialized tooling for the same type of connection. Once the appropriate pressure is obtained by the wedge, the breakaway bolt will shear off giving a visual indication that a correct installation has been made.

The connector is rated for the full current of the conductors within its range. As the conductors expand and contract under thermal cycling, the C-shaped body operates within the elastic region of its mechanical properties, allowing the connection to maintain constant pressure, resulting in reliability of performance. This connector is reusable and can easily be removed by backing out the bolt, which will drive out the wedge.

The wedge tap connectors are comprised of high strength aluminum castings, a breakaway bolt, and a highly conductive aluminum interface, providing a secure, reliable solution with an installation that is both fast and simple.

Features

- Material
 - Connector Pad Tap Body—Aluminum Alloy
 - Connector Wedge—Aluminum Alloy
 - Wedge Interface—6101-T6
 - Breakaway Bolt—Aluminum
 - Retaining Ring—Steel
- Breakaway Bolt Torque: 10-12 ft-lbs
 - Bolt Head size: 3/4"
- For use on ACSR, AAC and AAAC conductors

Standard Packaging

QUANTITY	WEIGHT
10	40 lbs

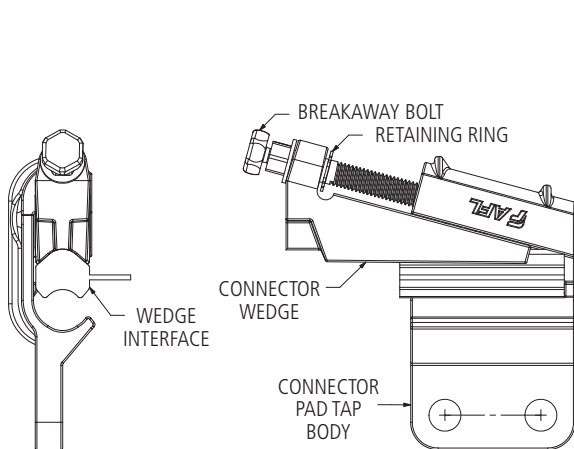


FIG. 1

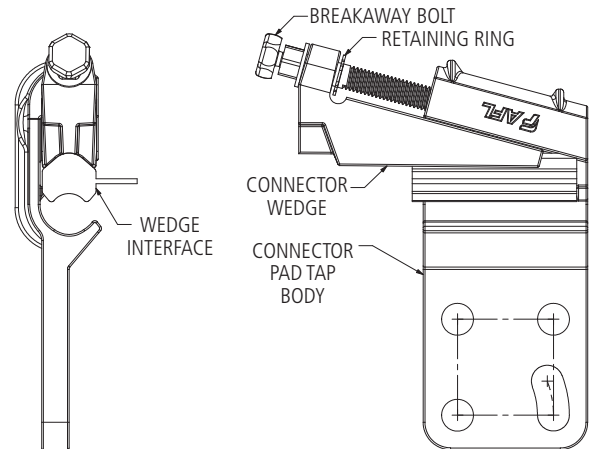


FIG. 2

*** Not rated for HT Conductors**

continued
➔

Wedge Pad Tap Connectors (cont.)

Ordering Information

LINE NO.	AFL NO.	FIG. NO.	CONDUCTOR		EST. WEIGHT	CPI NO.
			SIZE	DIAMETER RANGE		
1	PT2B-292	1	#2, 1/0, 2/0 AAC	0.292" - 0.413"	4.66 lbs	723210-1
2	PT4B-292	2			4.98 lbs	723210
3	PT2B-414	1	2/0, 3/0	0.414" - 0.521"	4.63 lbs	723003-1
4	PT4B-414	2			4.95 lbs	723003
5	PT2B-522	1	4/0, 250, 266.8, 300, 350, 336.4 AAC, 336.4 ACSR 18/1 & 26/7	0.522" - 0.719"	4.57 lbs	723004-1
6	PT4B-522	2			4.89 lbs	723004
7	PT2B-720	1	336.4 ACSR 30/7, 397.5, 450, 477, 500, 556.5 AAC, 556.5 ACSR 18/1 & 24/7, 636 AAC	0.720" - 0.917"	4.46 lbs	723005-1
8	PT4B-720	2			4.78 lbs	723005
9	PT2D-918	1	556.5 ACSR 26 & 30/7, 605, 715, 750, 636, 666.6, 795, 900, 954 AAC	0.918" - 1.124"	4.35 lbs	723006-1
10	PT4D-918	2			4.67 lbs	723006
11	PT2D-1125	1	954, 1000 (954)	1.125" - 1.215"	4.29 lbs	723007-1
12	PT4D-1125	2			4.61 lbs	723007
13	PT2D-1216	1	1033 AAC, 1272 AAC	1.216" - 1.302"	4.23 lbs	723008-1
14	PT4D-1216	2			4.55 lbs	723008

* For Replacement Breakaway Bolts, see page 17 of the TAPLINK® catalog for ordering information.

Qualifications

GOVERNING BODY	STANDARD CODE
ANSI	C119.4

Contact AFL for further details.