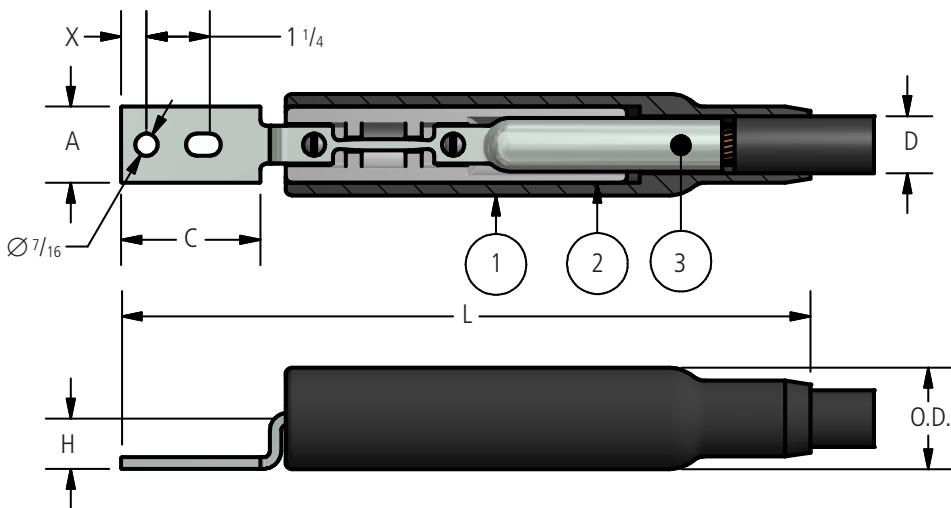
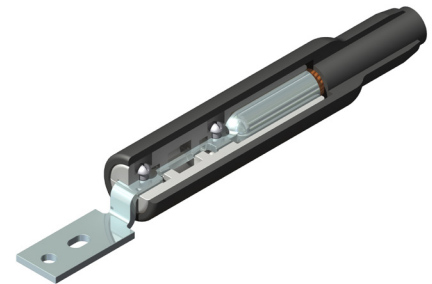


# DOSSERT®

## Type LLA-2PL123 Long Limiter Terminal Assembly for Paper Insulated Cable\*

A cable terminal which serves as both a fuse and a connector. The fusible element has a time-current characteristic which will enable it to clear faults severe enough to cause cable insulation damage. Unlike a fuse, the limiter will not clear a circuit on system overloads of short period.



### Elements

TYPE NO.	NAME
LLA-2P1	1 Insulating Sleeve
LLA-2P2	2 Shell
LLA-2PL3	3 Long Limiter Terminal

### Ordering Information

CATALOG NUMBER	CABLE SIZE	NO. OF INDENTS	DIMENSIONS IN INCHES						
			A	C	D	L	H	X	O.D.
LLA21-2PL123	4/0 STR	1	1	2 3/16	Diameter over cable insulation to be specified on order.	11 5/8	7/8	7/16	2
LLA25-2PL123	250 MCM	1	1 3/32	2 3/16		11 5/8	7/8	7/16	2
LLA30-2PL123	300 MCM	2	1 3/16	2 5/16		13 1/4	1	1/2	2 7/16
LLA35-2PL123	350 MCM	2	1 9/32	2 5/16		13 1/4	1	1/2	2 7/16
LLA40-2PL123	400 MCM	2	1 13/32	2 5/16		13 1/4	1	1/2	2 7/16
LLA50-2PL123	500 MCM	2	1 1/2	2 3/4		13 5/8	1	1/2	2 7/16
LLA75-2PL123	750 MCM	2	1 15/16	2 3/4		13 5/8	1	1/2	2 7/16

\* Closed end of sockets are sealed to make sockets oil tight.