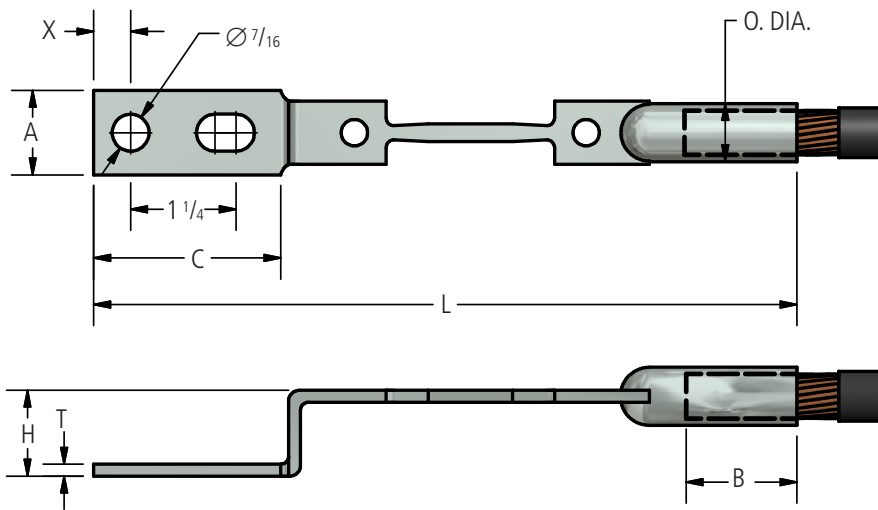
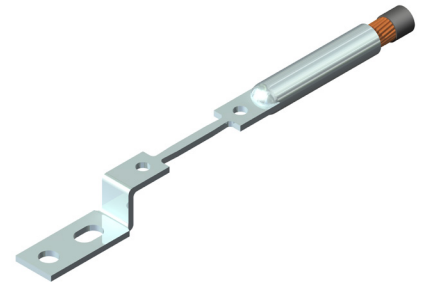


DOSSERT®

Types LLA-2R3, LLA-2P3 Limiter Terminal

The limiter terminal acts as a cable terminal as well as a current limiting fuse. The fusible section is made to close tolerances to insure consistent conformity with the fusing time-current curves. The limiter terminal will clear on severe loads or faults but will not clear on system overloads of short period.



Ordering Information

CATALOG NUMBER		CABLE SIZE	NO. OF INDENTS	DIMENSIONS IN INCHES							
FOR RUBBER INSULATED CABLE	FOR PAPER* INSULATED CABLE			A	B	C	H	L	O	T	X
LLA21-2R3	LLA21-2P3	4/0 STR	1	1	1 7/8	2 3/16	7/8	8 1/4	11/16	5/32	7/16
LLA25-2R3	LLA25-2P3	250 MCM	1	1 3/32	1 7/8	2 3/16	7/8	8 1/4	3/4	5/32	7/16
LLA30-2R3	LLA30-2P3	300 MCM	2	1 3/16	2	2 5/16	1	8 7/8	13/16	3/16	1/2
LLA35-2R3	LLA35-2P3	350 MCM	2	1 9/32	2	2 5/16	1	8 7/8	7/8	3/16	1/2
LLA40-2R3	LLA40-2P3	400 MCM	2	1 13/32	2 1/8	2 5/16	1	9	31/32	3/16	1/2
LLA50-2R3	LLA50-2P3	500 MCM	2	1 1/2	2 5/8	2 3/4	1	10	1 1/16	7/32	1/2
LLA75-2R3	LLA75-2P3	750 MCM	2	1 15/16	2 5/8	2 3/4	1	10	1 5/16	1/4	1/2

* Closed end of sockets are sealed to make sockets oil tight.