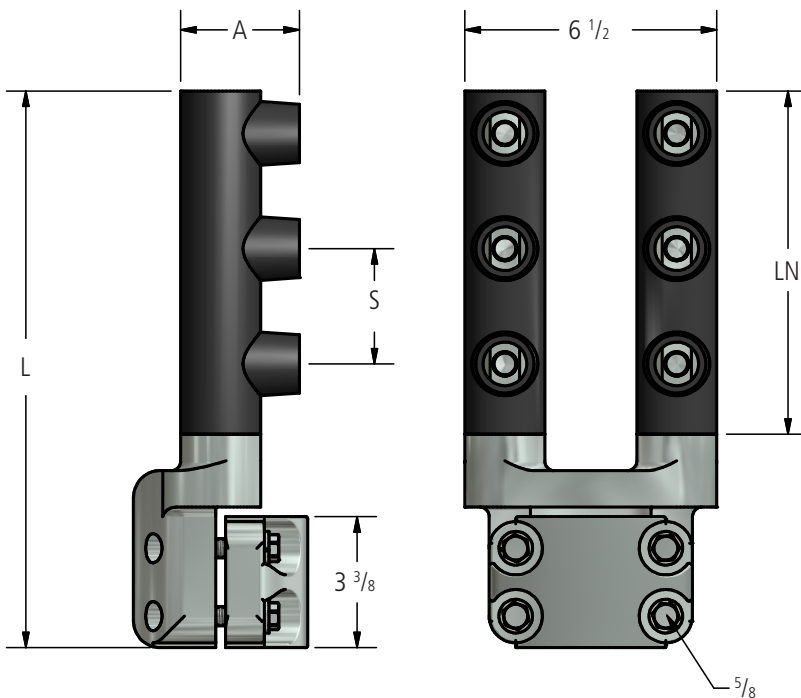


DOSSERT®

MICON Stud Connector Type M2CBS

A multi-outlet pre-insulated connector to terminate four or more cables to the studs of network protectors or distribution transformers. The connector is completely insulated for the indicated length LN. The threaded cap over stud is independent from connector body permitting installation of unit without need of turning connector down on stud.



Ordering Information

CATALOG NUMBER	CURRENT RATING AMPERES	NUMBER OF OUTLETS	STUD SIZE	DIMENSIONS IN INCHES			
				A	L	LN	S
M2CBS300-4	3000	4	3 - 12NF - 2	3 1/16	11 1/2	6	3
M2CBS300-6	3000	6	3 - 12NF - 2	3 1/16	14 1/2	9	3
M2CBS300-8	3000	8	3 - 12NF - 2	3 3/8	19 3/8	13 7/8	3 1/2
M2CBS300-10	3000	10	3 - 12NF - 2	3 3/8	22 7/8	17 3/8	3 1/2