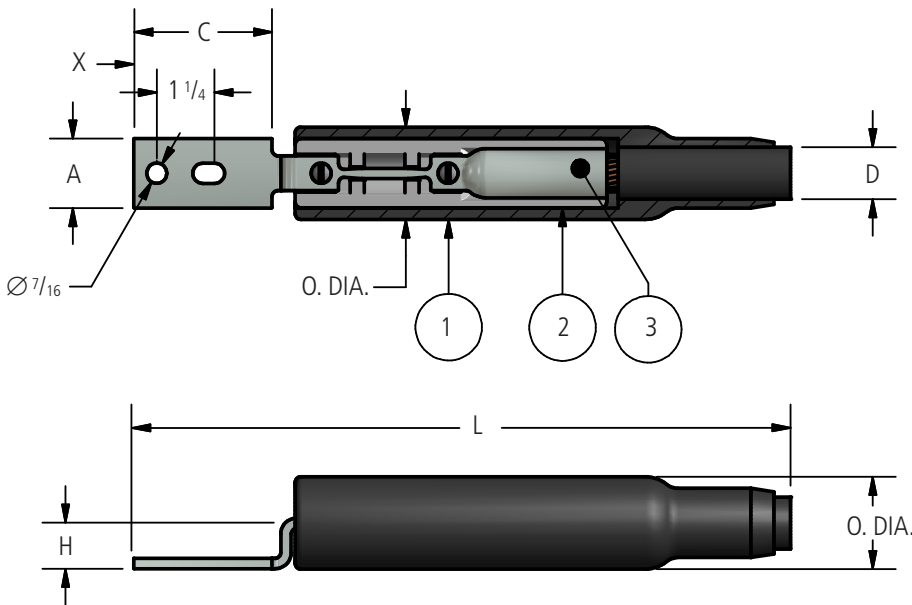
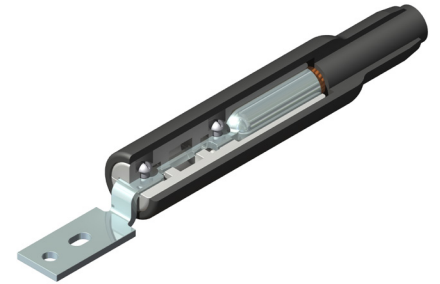


DOSSERT®

Types LLA-2R123, LLA-2P123 Limiter Terminal Assembly

A cable terminal which serves as both a fuse and connector. The fusible element has a time-current characteristic which will enable it to clear faults severe enough to cause cable insulation damage. Unlike a fuse, the limiter will not clear a circuit on system overloads of short period.



Elements

TYPE NO.	NAME
LLA-2P1	1 Insulating Sleeve
LLA-2P2	2 Shell
LLA-2R3 OR LL1-2P3	3 Limiter Terminal

Ordering Information

CATALOG NUMBER		CABLE SIZE	NO. OF INDENTS	DIMENSIONS IN INCHES						
FOR RUBBER INSULATED CABLE	FOR PAPER INSULATED CABLE*			A	C	D	L	H	X	O.D.
LLA21-2R123	LLA21-2P123	4/0 STR	1	1	2 3/16	Diameter over cable insulation to be specified on order.	11 5/8	7/8	7/16	2
LLA25-2R123	LLA25-2P123	250 MCM	1	1 3/32	2 3/16		11 5/8	7/8	7/16	2
LLA30-2R123	LLA30-2P123	300 MCM	2	1 3/16	2 5/16		13 1/4	1	1/2	2 7/16
LLA35-2R123	LLA35-2P123	350 MCM	2	1 9/32	2 5/16		13 1/4	1	1/2	2 7/16
LLA40-2R123	LLA40-2P123	400 MCM	2	1 13/32	2 5/16		13 1/4	1	1/2	2 7/16
LLA50-2R123	LLA50-2P123	500 MCM	2	1 1/2	2 3/4		13 5/8	1	1/2	2 7/16
LLA75-2R123	LLA75-2P123	750 MCM	2	1 15/16	2 3/4		13 5/8	1	1/2	2 7/16

* Closed end of sockets are sealed to make sockets oil tight.