

DOSSERT® TYPE WPC-N-AA, WPCA-N-45-AA, WPCA-N-90-AA

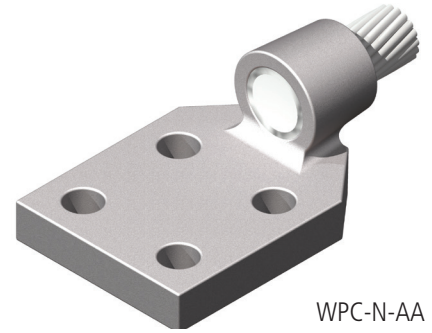
Offset Welded Terminal to Cable

Material

Aluminum Alloy

Notes

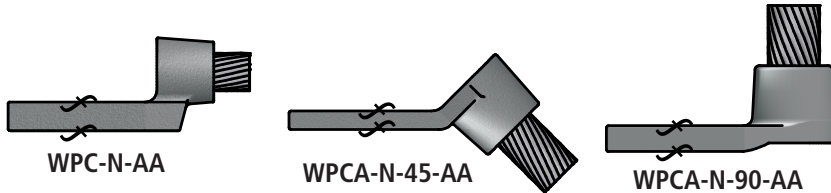
1. Add "U" for undrilled
2. Add "F" for finished on both sides
3. For a 3" 4 hole NEMA pad at 45° angle to 450 MCM cable order: WPCA48-4N-45-AA
4. For a 3" 4 hole NEMA pad at 90° angle finished on both sides to 450 MCM cable order: WPCA48-4NF-90-AA



WPC-N-AA



WPCA-N-90-AA



WPC-N-AA

WPCA-N-45-AA

WPCA-N-90-AA

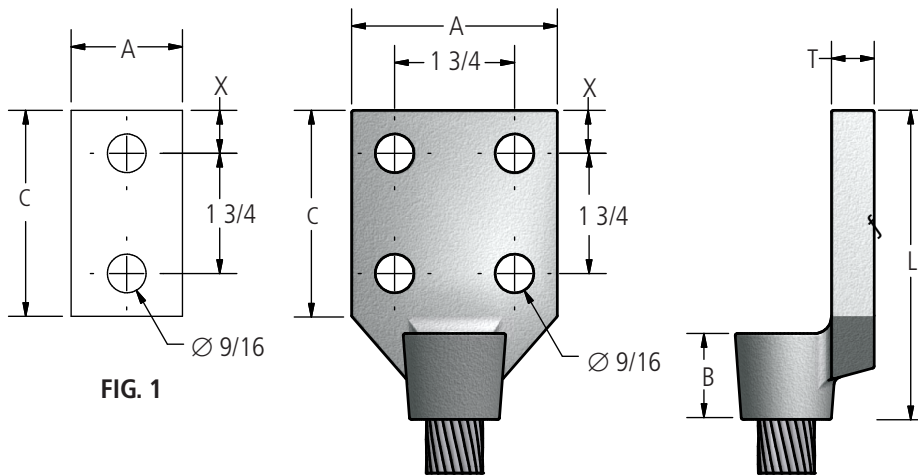


FIG. 1

FIG. 2

Ordering Information

CATALOG NUMBER	FIG. NO.	CABLE RANGE		DIMENSIONS IN INCHES					
		AAC	ASCR	A	B	C	T	L	X
WPC10-2N-AA	1	1/0 (7,19)	1 (6/1), 1/0 (6/1)	1 1/4	3/4	3	5/16	4	5/8
WPC10-4N-AA	2	1/0 (7,19)	1 (6/1), 1/0 (6/1)	3	3/4	3	5/16	4	5/8
WPC13-2N-AA	1	2/0 (7,19,37)	2/0, (6/1)	1 1/4	3/4	3	5/16	4	5/8
WPC17-2N-AA	1	3/0 (7,19,37)	101.8 (12/7), 3/0 (6/1)	1 1/4	3/4	3	5/16	4	5/8
WPC21-2N-AA	1	4/0 (7,19,37), 246.9 (7)	134.6 (12/7), 4/0 (6/1)	2	1	3	3/8	4 1/4	5/8
WPC21-4N-AA	2	4/0 (7,19,37), 246.9 (7)	134.6 (12/7), 4/0 (6/1)	3	1	3	5/16	4 1/4	5/8

DOSSERT® TYPE WPC-N-AA, WPCA-N-45-AA, WPCA-N-90-AA

Ordering Information

CATALOG NUMBER	FIG. NO.	CABLE RANGE		DIMENSIONS IN INCHES					
		AAC	ASCR	A	B	C	T	L	X
WPC21-4N4-AA	2	4/0 (7,19,37), 246.9 (7)	134.6 (12/7), 4/0 (6/1)	4	1	4	5/16	5 1/4	1 1/8
WPC31-2N-AA	1	250 (7,19,97,61)266.8 (7,19), 300 (19,37,61), 312.8 (19)	159 (12/7), 226.8 (19/1,26/7)	2	1	3	3/8	4 1/4	5/8
WPC31-4N-AA	2	250 (7,19,97,61)266.8 (7,19), 300 (19,37,61), 312.8 (19)	159 (12/7), 226.8 (19/1,26/7)	3	1	3	3/8	4 1/4	5/8
WPC31-4N4-AA	2	250 (7,19,97,61)266.8 (7,19), 300 (19,37,61), 312.8 (19)	159 (12/7), 226.8 (19/1,26/7)	4	1 1/4	4	3/8	5 1/2	1 1/8
WPC35-2N-AA	1	336.4 (19), 350 (19,37,61)	300 (26/7)	1 3/4	1	3	3/8	4 1/4	5/8
WPC35-4N-AA	2	336.4 (19), 350 (19,37,61)	300 (26/7)	3	1	3	3/8	4 1/4	5/8
WPC35-4N4-AA	2	336.4 (19), 350 (19,37,61)	300 (26/7)	4	1 1/4	4	3/8	5 1/2	1 1/8
WPC40-2N-AA	1	397.5 (19), 400 (37,61)	336.4 (18/1,26/7,30/7)	1 3/4	1 1/4	3	3/8	4 1/2	5/8
WPC40-4N-AA	2	397.5 (19), 400 (37,61)	336.4 (18/1,26/7,30/7)	3	1 1/4	3	3/8	4 1/2	5/8
WPC40-4N4-AA	2	397.5 (19), 400 (37,61)	336.4 (18/1,26/7,30/7)	4	1 1/4	4	3/8	5 1/2	1 1/8
WPC48-2N-AA	1	450 (19,37,61), 477 (19,37)	397.5 (18/1,24/7,26/7,30/7)	1 5/8	1 1/4	3	3/8	4 1/2	5/8
WPC48-4N-AA	2	450 (19,37,61), 477 (19,37)	397.5 (18/1,24/7,26/7,30/7)	3	1 1/4	3	5/8	4 1/2	5/8
WPC48-4N4-AA	2	450 (19,37,61), 477 (19,37)	397.5 (18/1,24/7,26/7,30/7)	4	1 1/4	4	3/8	5 1/2	1 1/8
WPC55-2N-AA	1	500 (19,37,61), 550 (61,91), 556.5 (19,37)	477 (18/1,24/7,26/7,30/7)	1 5/8	1 1/4	3	3/8	4 1/2	5/8
WPC55-4N-AA	2	500 (19,37,61), 550 (61,91), 556.5 (19,37)	477 (18/1,24/7,26/7,30/7)	3	1 1/4	3	3/8	4 1/2	5/8
WPC55-4N4-AA	2	500 (19,37,61), 550 (61,91), 556.5 (19,37)	477 (18/1,24/7,26/7,30/7)	4	1 1/4	4	3/8	5 1/2	1 1/8
WPC65-2N-AA	1	600 (37,61,91), 636 (37), 650 (37,61,91)	556.5 (18/1,24/7,26/7)	1 3/4	1 1/2	3	1/2	4 3/4	5/8
WPC65-4N-AA	2	600 (37,61,91), 636 (37), 650 (37,61,91)	556.5 (18/1,24/7,26/7)	3	1 1/2	3	1/2	4 3/4	5/8
WPC65-4N4-AA	2	600 (37,61,91), 636 (37), 650 (37,61,91)	556.5 (18/1,24/7,26/7)	4	1 1/2	4	1/2	5 3/4	1 1/8
WPC71-2N-AA	1	650 (37,61,91), 700 (37,61,91), 715.5 (37,61)	636 (24/7,26/7), 605 (24/7,26/7,30/19)	1 3/4	1 1/2	3	1/2	4 3/4	5/8
WPC71-4N-AA	2	650 (37,61,91), 700 (37,61,91), 715.5 (37,61)	636 (24/7,26/7), 605 (24/7,26/7,30/19)	3	1 1/2	3	1/2	4 3/4	5/8
WPC71-4N4-AA	2	650 (37,61,91), 700 (37,61,91), 715.5 (37,61)	636 (24/7,26/7), 605 (24/7,26/7,30/19)	4	1 1/2	4	1/2	5 3/4	1 1/8
WPC79-2N-AA	1	795 MCM	—	1 3/4	1 1/2	3	5/8	4 3/4	5/8
WPC79-3N-AA	2	795 MCM	—	3	1 1/2	3	5/8	4 3/4	5/8
WPC80-2N-AA	1	750 (37,61,91), 795 (37,61), 800 (61,91)	636 (30/19), 666.6 (24/7,26/7), 715.5 (24/7)	1 3/4	1 1/2	3	1/2	4 3/4	5/8
WPC80-2N3-AA	1	750 (37,61,91), 795 (37,61), 800 (61,91)	636 (30/19), 666.6 (24/7,26/7), 715.5 (24/7)	2	1 1/2	3	1/2	4 3/4	5/8
WPC80-4N-AA	2	750 (37,61,91), 795 (37,61), 800 (61,91)	636 (30/19), 666.6 (24/7,26/7), 715.5 (24/7)	3	1 1/2	3	1/2	4 3/4	5/8
WPC80-4N4-AA	2	750 (37,61,91), 795 (37,61), 800 (61,91)	636 (30/19), 666.6 (24/7,26/7), 715.5 (24/7)	4	1 1/2	4	1/2	5 3/4	1 1/8
WPC90-2N-AA	1	800 (61,91), 874.5 (37,61), 900 (37,61,91)	715.5 (30/19), 795 (36/1,45/7,24/7,54/7)	2	1 1/2	3	1/2	4 3/4	5/8
WPC90-4N-AA	2	800 (61,91), 874.5 (37,61), 900 (37,61,91)	715.5 (30/19), 795 (36/1,45/7,24/7,54/7)	3	1 1/2	3	1/2	4 3/4	5/8
WPC90-4N4-AA	2	800 (61,91), 874.5 (37,61), 900 (37,61,91)	715.5 (30/19), 795 (36/1,45/7,24/7,54/7)	4	1 1/2	4	1/2	5 3/4	1 1/8
WPC95-2N-AA	1	900 (37,61), 954 (37,61)	795 (30/19), 874.5 (54/7), 900 (45/7,54/7)	2	1 3/4	3	1/2	5	5/8
WPC95-4N-AA	2	900 (37,61), 954 (37,61)	795 (30/19), 874.5 (54/7), 900 (45/7,54/7)	3	1 3/4	3	1/2	5	5/8
WPC95-4N4-AA	2	900 (37,61), 954 (37,61)	795 (30/19), 874.5 (54/7), 900 (45/7,54/7)	4	1 3/4	4	1/2	6	1 1/8

DOSSERT®

TYPE WPC-N-AA, WPCA-N-45-AA, WPCA-N-90-AA

Ordering Information

CATALOG NUMBER	FIG. NO.	CABLE RANGE		DIMENSIONS IN INCHES					
		AAC	ASCR	A	B	C	T	L	X
WPC103-2N-AA	1	954 (37/61), 1000 (37,61,91), 1033.5 (37,61)	954,36/1,45/7,54/7)	2	1 3/4	3	1/2	5	5/8
WPC103-4N-AA	2	954 (37/61), 1000 (37,61,91), 1033.5 (37,61)	954,36/1,45/7,54/7)	3	1 3/4	3	1/2	5	5/8
WPC103-4N4-AA	2	954 (37/61), 1000 (37,61,91), 1033.5 (37,61)	954,36/1,45/7,54/7)	4	1 3/4	4	1/2	6	1 1/8
WPC103-4N4-AA-T3/4	2	954 (37/61), 1000 (37,61,91), 1033.5 (37,61)	954,36/1,45/7,54/7)	4	1 3/4	4	3/4	6	1 1/8
WPC111-2N-AA	1	1100 (91,127), 1113 (61)	1033.5 (36/1,45/7,54/7)	2 1/2	1 3/4	3	1/2	5	5/8
WPC111-4N-AA	2	1100 (91,127), 1113 (61)	1033.5 (36/1,45/7,54/7)	3	1 3/4	3	1/2	5	5/8
WPC111-4N4-AA	2	1100 (91,127), 1113 (61)	1033.5 (36/1,45/7,54/7)	4	1 3/4	4	1/2	6	1 1/8
WPC127A-4N-AA	2	—	1272 MCM	3	2	3	3/4	5 1/4	5/8
WPC127A-4N4-AA	2	—	1272 MCM	4	2	4	11/16	5 1/2	1 1/8
WPC127R-4N-AA	2	1272 MCM ROPE LAY	—	3	2	3	11/16	5 1/2	5/8
WPC127R-4N4-AA	2	1272 MCM ROPE LAY	—	4	2	4 1/4	11/16	6 1/2	1 1/8
WPC135-2N-AA	1	1192.5 (61), 1200 (91,127), 1250 (91,127), 1272 (61), 1300 (91,127), 1351.5 (61)	1113 (45/7,54/19), 1192.5 (45/7,54/19)	2 1/2	2	3	9/16	5 1/4	5/8
WPC135-4N-AA	2	1192.5 (61), 1200 (91,127), 1250 (91,127), 1272 (61), 1300 (91,127), 1351.5 (61)	1113 (45/7,54/19), 1192.5 (45/7,54/19)	3	2	3	9/16	5 1/4	5/8
WPC135-4N4-AA	2	1192.5 (61), 1200 (91,127), 1250 (91,127), 1272 (61), 1300 (91,127), 1351.5 (61)	1113 (45/7,54/19), 1192.5 (45/7,54/19)	4	2	4	9/16	6 1/4	1 1/8
WPC151-4N-AA	2	1400 (91,127), 1431 (61), 1500 (91,127), 1510.5 (61)	1272 (45/7,54/19), 1351.5 (45/7,54/19)	3	2 1/4	3	3/4	5 5/8	5/8
WPC151-4N4-AA	2	1400 (91,127), 1431 (61), 1500 (91,127), 1510.5 (61)	1272 (45/7,54/19), 1351.5 (45/7,54/19)	4	2 1/4	4	3/4	6 5/8	1 1/8
WPC159-2N-AA	1	1590 MCM	—	2 1/2	2	3	11/16	5 5/16	5/8
WPC159-4N-AA	2	1590 MCM	—	3	2	3	11/16	5 5/16	5/8
WPC159-4N4-AA	2	1590 MCM	—	4	2	4	11/16	6 5/16	1 1/8
WPC170-4N-AA	2	1590 (61), 1600 (127,169), 1700 (127,169)	1431 (45/7,54/19), 1510.5 (45/7, 54/19)	3	2 1/4	3	5/8	5 1/2	5/8
WPC170-4N4-AA	2	1590 (61), 1600 (127,169), 1700 (127,169)	1431 (45/7,54/19), 1510.5 (45/7, 54/19)	4	2 1/4	4	3/4	6 5/8	1 1/8
WPC190-4N-AA	2	1750 (127,169), 1800 (127,169), 1900 (127,169)	1590 (45/7,54/19), 1780 (84/19)	3	2 1/4	3	11/16	5 1/2	5/8
WPC190-4N4-AA	2	1750 (127,169), 1800 (127,169), 1900 (127,169)	1590 (45/7,54/19), 1780 (84/19)	4	2 1/4	4	11/16	6 1/2	1 1/8
WPC205-4N4-AA	2	2049 MCM ACAR	—	4	2 1/4	4	3/4	6 9/16	1 1/8
WPC225-4N-AA	2	2000 (91,127,169), 2250 (91)	2167 (72/7)	3	2 1/4	3	3/4	5 9/16	5/8
WPC225-4N4-AA	2	2000 (91,127,169), 2250 (91)	2167 (72/7)	4	2 1/4	4	3/4	6 9/16	1 1/8
WPC234-4N4-AA	2	2336 MCM ACAR	—	4	2 1/4	4	3/4	6 9/16	1 1/8
WPC240R-4N4-AA	2	2.4 DI	—	4	2 3/4	4 1/4	1	7 1/4	1 1/8
WPC250-4N-AA	2	2500 (91,127,169)	2156 (84/19)	3	2 1/4	3	3/4	5 1/2	5/8
WPC250-4N4-AA	2	2500 (91,127,169)	2156 (84/19)	4	2 1/4	4	3/4	6 1/2	1 1/8
WPC300-4N-AA	2	2750 (91), 3000 (127,169)	2870 MCM	3	2 1/4	3	3/4	5 1/2	5/8
WPC300-4N4-AA	2	2750 (91), 3000 (127,169)	2870 MCM	4	2 1/4	4	3/4	6 5/8	1 1/8