

DOSSERT® TYPE 14700

Straight Adapter Tube To Cable

Adapter is designed to make inline connection between pipe and stranded cable. Cable is "puddle" welded to connector; connector is then welded to tube. Not recommended for use on ACSR conductors due to difficulty welding steel core.

Material

Aluminum Alloy

Notes

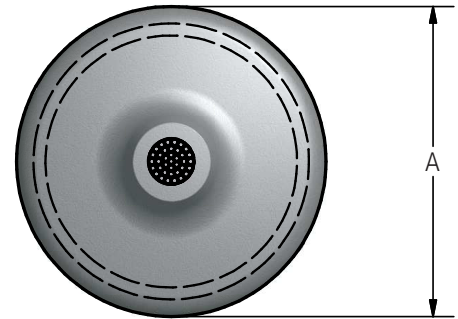
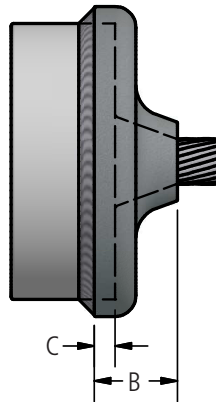
1. Table 1 shows physical characteristics of each catalog series.
2. Table 2 shows specific catalog numbers.

Ordering Instructions

1. Determine Catalog Number

Determine the catalog number from Table 2 based on the bus conductor and the diameter of the stranded conductor being used.

Ex: A straight adapter for a run conductor of 3" Sch 40 and a stranded conductor diameter of 0.926" the complete catalog number is : 14708.100



DOSSERT®

TYPE 14700

Straight Adapter Tube To Cable

TABLE 1 (PHYSICAL CHARACTERISTICS BY SERIES)

CATALOG NUMBER	SPS	DIMENSIONS IN INCHES			NOMINAL WEIGHT
		A	B	C	LBS
14702	3/4	1.50	1.19	0.19	0.12
14703	1	1.84	1.44	0.19	0.19
14704	1 1/4	2.19	2.00	0.25	0.50
14705	1 1/2	2.56	2.44	0.44	0.56
14706	2	2.97	2.44	0.44	0.56
14707	2 1/2	3.53	2.00	0.44	0.81
14708	3	4.22	2.00	0.44	1.20
14709	3 1/2	4.66	2.00	0.44	1.30
14710	4	5.22	2.00	0.50	1.50
14712	5	6.38	2.00	0.50	1.90
14713	6	7.44	2.00	0.50	2.60

Ordering Information

TABLE 2

STANDARD CONDUCTOR DIAMETER RANGE INCH	CATALOG NUMBERS										
	RUN CONDUCTORS										
	3/4	1	1 1/4	1 1/2	2	2 1/2	3	3 1/2	4	5	6
.366-.394	14702.4	14703.4	14704.4	14705.4	14706.4	14707.4	14708.4	14709.4	14710.4	14712.4	14713.4
.395-.428	14702.44	14703.44	14704.44	14705.44	14706.44	14707.44	14708.44	14709.44	14710.44	14712.44	14713.44
.429-.459	14702.47	14703.47	14704.47	14705.47	14706.47	14707.47	14708.47	14709.47	14710.47	14712.47	14713.47
.460-.49	14702.5	14703.5	14704.5	14705.5	14706.5	14707.5	14708.5	14709.5	14710.5	14712.5	14713.5
.491-.521	14702.53	14703.53	14704.53	14705.53	14706.53	14707.53	14708.53	14709.53	14710.53	14712.53	14713.53
.522-.552	14702.56	14703.56	14704.56	14705.56	14706.56	14707.56	14708.56	14709.56	14710.56	14712.56	14713.56
.553-.599	14702.61	14703.61	14704.61	14705.61	14706.61	14707.61	14708.61	14709.61	14710.61	14712.61	14713.61
.600-.644	14702.66	14703.66	14704.66	14705.66	14706.66	14707.66	14708.66	14709.66	14710.66	14712.66	14713.66
.645-.691	-	14703.7	14704.7	14705.7	14706.7	14707.7	14708.7	14709.7	14710.7	14712.7	14713.7
.692-.738	-	14703.75	14704.75	14705.75	14706.75	14707.75	14708.75	14709.75	14710.75	14712.75	14713.75
.739-.800	-	14703.81	14704.81	14705.81	14706.81	14707.81	14708.81	14709.81	14710.81	14712.81	14713.81
.801-.863	-	14703.88	14704.88	14705.88	14706.88	14707.88	14708.88	14709.88	14710.88	14712.88	14713.88
.864-.925	-	-	14704.94	14705.94	14706.94	14707.94	14708.94	14709.94	14710.94	14712.94	14713.94
.926-.985	-	-	14704.1	14705.1	14706.1	14707.1	14708.1	14709.1	14710.1	14712.1	14713.1
.986-1.047	-	-	14704.106	14705.106	14706.106	14707.106	14708.106	14709.106	14710.106	14712.106	14713.106
1.048-1.110	-	-	14704.112	14705.112	14706.112	14707.112	14708.112	14709.112	14710.112	14712.112	14713.112
1.111-1.173	-	-	14704.119	14705.119	14706.119	14707.119	14708.119	14709.119	14710.119	14712.119	14713.119
1.174-1.235	-	-	14704.125	14705.125	14706.125	14707.125	14708.125	14709.125	14710.125	14712.125	14713.125
1.236-1.297	-	-	14704.131	14705.131	14706.131	14707.131	14708.131	14709.131	14710.131	14712.131	14713.131
1.298-1.360	-	-	14704.138	14705.138	14706.138	14707.138	14708.138	14709.138	14710.138	14712.138	14713.138
1.361-1.423	-	-	-	14705.144	14706.144	14707.144	14708.144	14709.144	14710.144	14712.144	14713.144
1.424-1.485	-	-	-	14705.15	14706.15	14707.15	14708.15	14709.15	14710.15	14712.15	14713.15
1.486-1.542	-	-	-	14705.156	14706.156	14707.156	14708.156	14709.156	14710.156	14712.156	14713.156

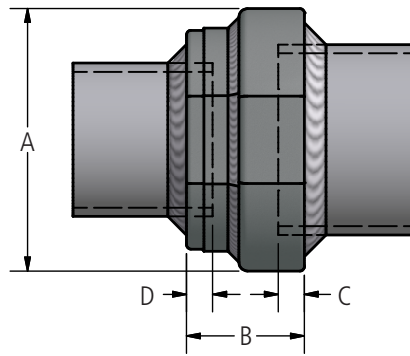
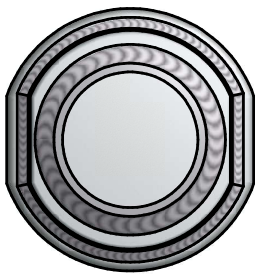
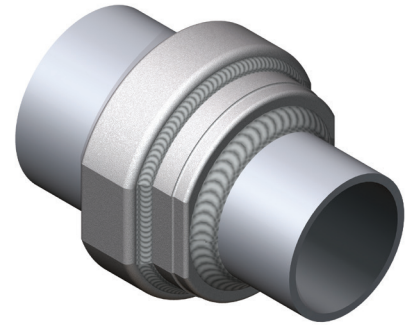
DOSSERT® TYPE 15100

Reducer Connector For Pipe

Reducer connector is designed to connect unequal pipe sizes with minimum amount of trouble. Connector is welded on outside of pipe allowing use on both schedule 40 and schedule 80 pipe.

Material

Aluminum Alloy



Ordering Information

CATALOG NUMBER	CONDUCTOR SIZE SCH40 & SCH80		DIMENSIONS IN INCHES				NOMINAL WEIGHT LBS
	RUN	BRANCH	A	B	C	D	
15103-2	1	3/4	1.88	0.84	0.15	0.19	0.20
15104-2	1 1/4	3/4	2.19	1.00	0.25	0.19	0.25
15104-3	1 1/4	1	2.19	1.09	0.25	0.19	0.29
15105-2	1 1/2	3/4	2.44	1.00	0.38	0.19	0.27
15105-3	1 1/2	1	2.44	1.09	0.38	0.19	0.33
15105-4	1 1/2	1 1/4	2.44	1.25	0.38	0.25	0.37
15106-2	2	3/4	2.94	1.12	0.44	0.19	0.39
15106-3	2	1	2.94	1.22	0.44	0.19	0.45
15106-4	2	1 1/4	2.94	1.38	0.44	0.25	0.49
15106-5	2	1 1/2	2.94	1.38	0.44	0.38	0.57
15107-2	2 1/2	3/4	3.50	1.19	0.44	0.19	0.52
15107-3	2 1/2	1	3.50	1.28	0.44	0.19	0.58
15107-4	2 1/2	1 1/4	3.50	1.44	0.44	0.25	0.62
15107-5	2 1/2	1 1/2	3.50	1.44	0.44	0.38	0.70
15107-6	2 1/2	2	3.50	1.56	0.44	0.44	0.82
15108-2	3	3/4	4.12	1.31	0.44	0.19	0.83
15108-3	3	1	4.12	1.41	0.44	0.19	0.89
15108-4	3	1 1/4	4.12	1.56	0.44	0.25	0.93
15108-5	3	1 1/2	4.12	1.56	0.44	0.38	1.00
15108-6	3	2	4.12	1.69	0.44	0.44	1.10
15108-7	3	2 1/2	4.12	1.75	0.44	0.44	1.30
15109-2	3.5	3/4	4.69	1.31	0.44	0.19	1.1
15109-3	3.5	1	4.69	1.41	0.44	0.19	1.1
15109-4	3.5	1 1/4	4.69	1.56	0.44	0.25	1.2
15109-5	3.5	1 1/2	4.69	1.56	0.44	0.38	1.3
15109-6	3.5	2	4.69	1.69	0.44	0.44	1.4
15109-7	3.5	2 1/2	4.69	1.75	0.44	0.44	1.5
15109-8	3.5	3	4.69	1.88	0.44	0.44	1.9

DOSSERT®

TYPE 15100

Reducer Connector For Pipe

Ordering Information

CATALOG NUMBER	CONDUCTOR SIZE SCH40 & SCH80		DIMENSIONS IN INCHES				NOMINAL WEIGHT LBS.
	RUN	BRANCH	A	B	C	D	
15110-2	4	3/4	5.19	1.38	0.5	0.19	1.3
15110-3	4	1	5.19	1.47	0.5	0.19	1.3
15110-4	4	1 1/4	5.19	1.62	0.5	0.25	1.4
15110-5	4	1 1/2	5.19	1.62	0.5	0.44	1.5
15110-6	4	2	5.19	1.75	0.5	0.44	1.6
15110-7	4	2 1/2	5.19	1.81	0.5	0.44	1.7
15110-8	4	3	5.19	1.94	0.5	0.44	2.1
15110-9	4	3 1/2	5.19	1.94	0.5	0.44	2.3
15112-2	5	3/4	6.25	1.38	0.5	0.19	1.8
15112-3	5	1	6.25	1.47	0.5	0.19	1.8
15112-4	5	1 1/4	6.25	1.62	0.5	0.25	1.9
15112-5	5	1 1/2	6.25	1.62	0.5	0.38	2
15112-6	5	2	6.25	1.75	0.5	0.44	2.1
15112-7	5	2 1/2	6.25	1.81	0.5	0.44	2.2
15112-8	5	3	6.25	1.94	0.5	0.44	2.6
15112-9	5	3 1/2	6.25	1.94	0.5	0.44	2.8
15112-10	5	4	6.25	2	0.5	0.5	3.1
15113-2	6	7/8	7.38	1.38	0.5	0.19	2.4
15113-3	6	1	7.38	1.47	0.5	0.19	2.4
15113-4	6	1 1/4	7.38	1.62	0.5	0.25	2.5
15113-5	6	1 1/2	7.38	1.62	0.5	0.38	2.6
15113-6	6	2	7.38	1.75	0.5	0.44	2.7
15113-7	6	2 1/2	7.38	1.81	0.5	0.44	2.8
15113-8	6	3	7.38	1.94	0.5	0.44	3.2
15113-9	6	3 1/2	7.38	1.94	0.5	0.44	3.4
15113-10	6	4	7.38	2	0.5	0.5	3.7
15113-12	6	5	7.38	2	0.5	0.5	4.3

230 kV Aluminum Welded Couplers

DOSSERT[®] TYPE WS-AA, WS-E-AA

Aluminum Welded Coupler

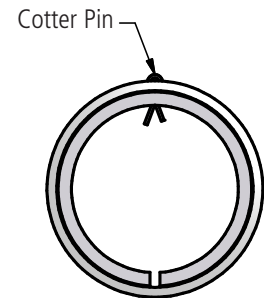
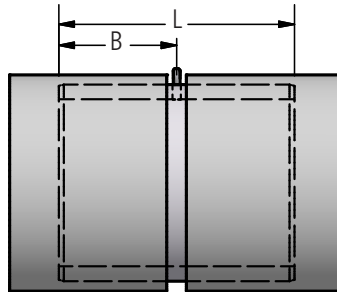
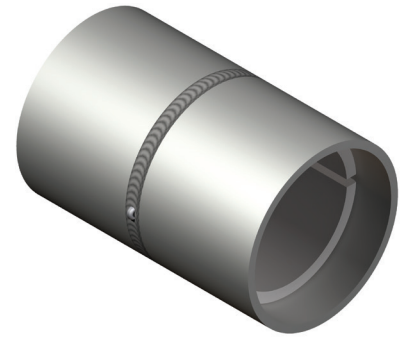
A shorter version of the Type WWC coupler, also made to special lengths.

Material

Aluminum Tubing

Notes

- To order special lengths, add desired (L) dimension to the catalog number.
Example: WS500-15-AA for 15 inch coupler.



Ordering Information

CATALOG NUMBER		NOMINAL PIPE SIZE	DIMENSIONS IN INCHES	
SCH 40	SCH 80		B	L
WS100-AA	WS100E-AA	1	1-3/4	3-1/2
WS125-AA	WS125E-AA	1-1/4	2	4
WS150-AA	WS150E-AA	1-1/2	2	4
WS200-AA	WS200E-AA	2	2	4
WS250-AA	WS250E-AA	2-1/2	3	6
WS300-AA	WS300E-AA	3	3	6
WS350-AA	WS350E-AA	3-1/2	3	6
WS400-AA	WS400E-AA	4	3	6
WS450-AA	WS450E-AA	4-1/2	3	6
WS500-AA	WS500E-AA	5	3	6
WS600-AA	WS600E-AA	6	3	6
WS800-AA	WS800E-AA	8	3	6
WS1000-AA	WS1000E-AA	10	3	6

DOSSERT® TYPE WSXL-SI-AA

Aluminum To Bronze Angular Expansion Connector

Expansion connector is designed for expansion and contraction in long bus runs. Stud connector can be adjusted to suit customers application.

Material

Aluminum Alloy

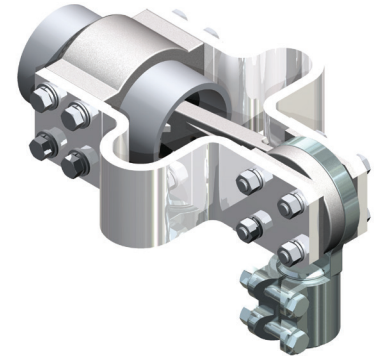
Hardware

Stainless steel nuts, bolts and belleville washers on aluminum bus.

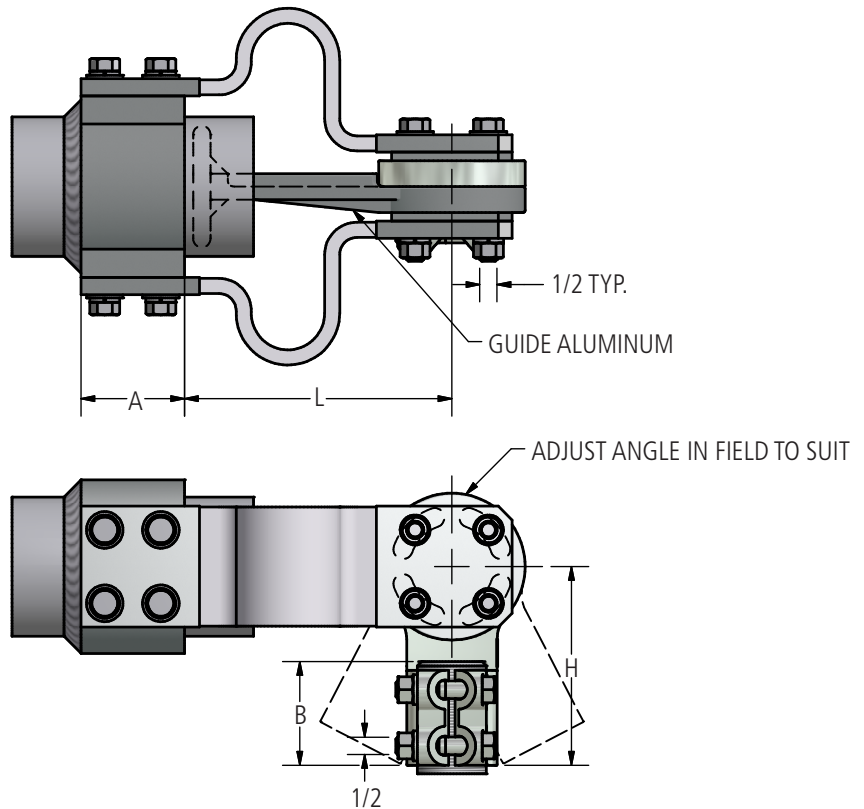
Notes

For a custom thread count change the number after the "T" in the catalog number. Ex: WSXL200C-350-SI-T0-AA

Additional sizes are available.



230 kV Aluminum Welded Couplers



Ordering Information

STUD (S)	SPS	CATALOG NUMBER	DIMENSIONS IN INCHES			
			A	B	H	L
2"-12	2	WSXL200C-350-SI-T12-AA	3	2 3/4	5 3/4	7 3/4
2"-12	4E*	WSXL200C-400E-SI-T12-AA	3	2 3/4	5 3/4	9 5/16
3"-12	4E*	WSXL300C-400E-SI-T12-AA	3	3	6 5/8	9 5/16

* Suffix E indicates SCH 80.

DOSSERT® TYPE WWC-AA, WWC-E-AA

Aluminum Welded Coupler

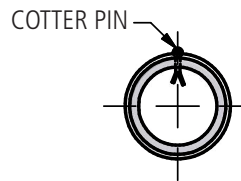
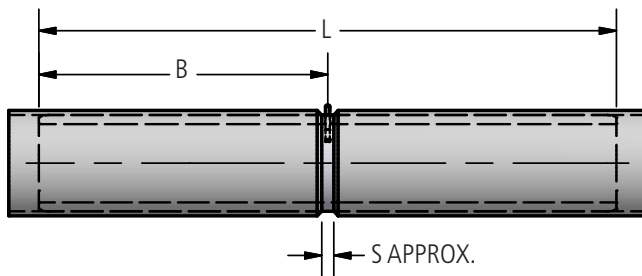
Coupler is designed to make connections with high mechanical strength and high electrical conductivity.

Material

Aluminum Alloy

Notes

- For pipe sizes greater than 6 inch or special I.D. and O.D. applications, please contact AFL.



Ordering Information

CATALOG NUMBER		SPS	DIMENSIONS IN INCHES		
SCHEDULE 40	SCHEDULE 80		B	L	S
WWC75-AA	WWC75E-AA	3/4	2-1/4	4-1/2	1/4
WWC100-AA	WWC100E-AA	1	3	6	1/4
WWC125-AA	WWC125E-AA	1-1/4	3-3/4	7-1/2	3/8
WWC150-AA	WWC150E-AA	1-1/2	4-1/2	9	3/8
WWC200-AA	WWC200E-AA	2	6	12	3/8
WWC250-AA	WWC250E-AA	2-1/2	7-1/2	15	1/2
WWC300-AA	WWC300E-AA	3	9	18	1/2
WWC350-AA	WWC350E-AA	3-1/2	10-1/2	21	1/2
WWC400-AA	WWC400E-AA	4	12	24	1/2
WWC450-AA	WWC450E-AA	4-1/2	12	24	1/2
WWC500-AA	WWC500E-AA	5	12	24	1/2
WWC600-AA	WWC600E-AA	6	12	24	5/8
WWC600-5/8-AA	—	6 - 5/8 WALL	12.00	24.00	0.63
WWC600R38-AA	—	6 OD 3/8 WALL	19	38	5/8
WWC800-AA	WWC800E-AA	8	12	24	5/8
WWC800R38-AA	—	8 OD 3/8 WALL	19	38	5/8
WWC800R-AA	—	8 OD 1/2 WALL	12	24	5/8
WWC800R9/32-AA	—	8 OD 9/32 WALL	12.00	24.00	0.63

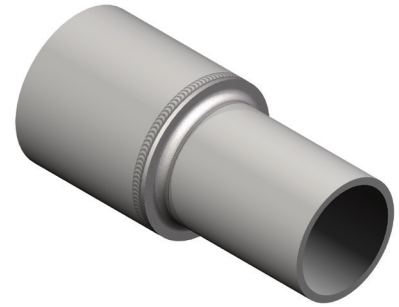
DOSSERT® TYPE WWCR-AA, WWCR-E-AA

Reducing Coupler

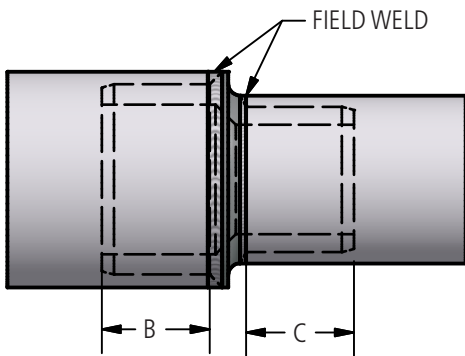
A reducing coupler for joining aluminum pipe of different diameters. Provides maximum structural reinforcement at the joint as well as a neat and corona free installation. Pipe is easily aligned and held during welding.

Material

Aluminum-Silicon Alloy



230 kV Aluminum
Welded Couplers



Ordering Information

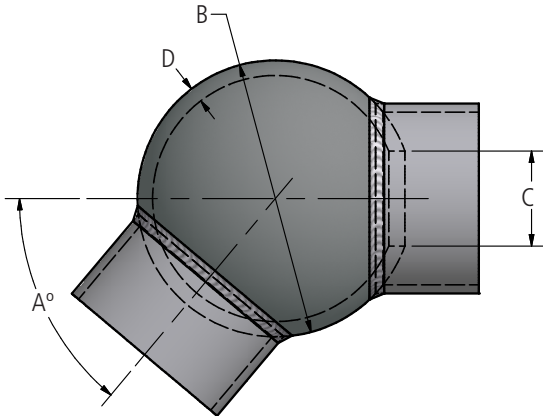
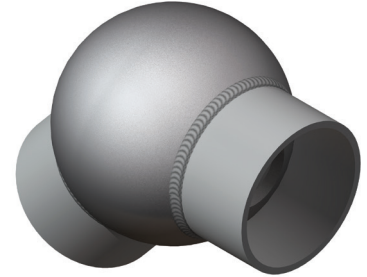
CATALOG NUMBER		SPS		DIMENSIONS IN INCHES	
SCHEDULE 40	SCHEDULE 80	RUN	TAP	B	C
WWCR125-100-AA	WWCR125E-100-AA	1-1/4	1	1	3/4
WWCR150-100-AA	WWCR150E-100-AA	1-1/2	1	1	3/4
WWCR150-125-AA	WWCR150E-125-AA	1-1/2	1-1/4	1	1
WWCR200-100-AA	WWCR200E-100-AA	2	1	1-1/4	3/4
WWCR200-125-AA	WWCR200E-125-AA	2	1-1/4	1-1/4	1
WWCR200-150-AA	WWCR200E-150-AA	2	1-1/2	1-1/4	1
WWCR250-125-AA	WWCR250E-125-AA	2-1/2	1-1/4	1-1/2	1
WWCR250-150-AA	WWCR250E-150-AA	2-1/2	1-1/2	1-1/2	1
WWCR250-200-AA	WWCR250E-200-AA	2-1/2	2	1-1/2	1-1/4
WWCR300-100-AA	WWCR300E-100-AA	3	1	1-3/4	3/4
WWCR300-150-AA	WWCR300E-150-AA	3	1-1/2	1-3/4	1
WWCR300-200-AA	WWCR300E-200-AA	3	2	1-3/4	1-1/4
WWCR300-250-AA	WWCR300E-250-AA	3	2-1/2	1-3/4	1-1/2
WWCR350-200-AA	WWCR350E-200-AA	3-1/2	2	1-3/4	1-1/4
WWCR400-200-AA	WWCR400E-200-AA	4	2	2-1/4	1-1/4
WWCR400-250-AA	WWCR400E-250-AA	4	2-1/2	2-1/4	1-1/2
WWCR400-300-AA	WWCR400E-300-AA	4	3	2-1/4	1-3/4
WWCR450-400-AA	WWCR450E-400-AA	4-1/2	4	2-1/2	2-1/4
WWCR500-250-AA	WWCR500E-250-AA	5	2-1/2	2-3/4	1-1/2
WWCR500-300-AA	WWCR500E-300-AA	5	3	2-3/4	1-3/4
WWCR500-400-AA	WWCR500E-400-AA	5	4	2-3/4	2-1/4
WWCR500-350-AA	WWCR500E-350-AA	5	3-1/2	2-3/4	2
WWCR600-300-AA	WWCR600E-300-AA	6	3	3	1-3/4
WWCR600-400-AA	WWCR600E-400-AA	6	4	3	2-1/4
WWCR600-500-AA	WWCR600E-500-AA	6	5	3	2-3/4
WWCR800-400-AA	WWCR800E-400-AA	8	4	4	2-1/4
WWCR800-500-AA	WWCR800E-500-AA	8	5	4	2-3/4
WWCR800-600-AA	WWCR800E-600-AA	8	6	4	3-1/4

DOSSERT® TYPE WWSC-AA Weldment Spherical Coupler

WWSC-AA is a variable angle coupler for aluminum pipe conductor.

Material

Aluminum Alloy



Ordering Information

CATALOG NUMBER	SPS	DIMENSIONS IN INCHES				MAX KV
		A° (MAX)	B	C	D	
WWSC500-AA	1 1/2	130	5	1 3/4	5/16	230
WWSC500-AA	2	115	5	1 3/4	5/16	230
WWSC500-AA	2 1/2	105	5	1 3/4	5/16	230
WWSC500-AA	3	90	5	1 3/4	5/16	230
WWSC500-AA	3 1/2	80	5	1 3/4	5/16	230
WWSC500-AA	4	50	5	1 3/4	5/16	230
WWSC800-AA	3 THROUGH 5	90	8	2 3/4	7/16	345
WWSC800-AA	6	60	8	2 3/4	7/16	345
WWSC800-AA	8 OD	40	8	2 3/4	7/16	345
WWSC1200-AA	3	140	12	2 3/4	3/8	500
WWSC1200-AA	3 1/2	135	12	2 3/4	3/8	500
WWSC1200-AA	4	130	12	2 3/4	3/8	500
WWSC1200-AA	5	120	12	2 3/4	3/8	500
WWSC1200-AA	6	100	12	2 3/4	3/8	500
WWSC1200-AA	8 OD	90	12	2 3/4	3/8	500

DOSSERT® TYPE XWWC-AA, XWWC-E-AA

Bus Expansion Coupler

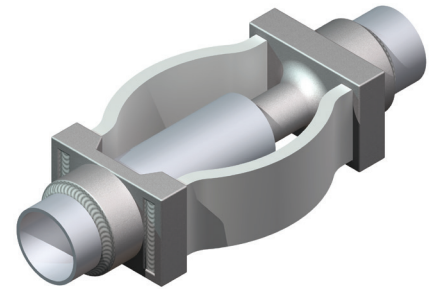
Expansion coupler for aluminum pipe connections. Provided with alignment guide for field welds.

Material

Aluminum Alloy

Notes

1. If alignment guide is not required, add "P" to the catalog number prefix. EX: XWWCP100-AA.
2. For Dimension "E", refer to pages 11-12 in the General Information section.



230 kV Aluminum Welded Couplers

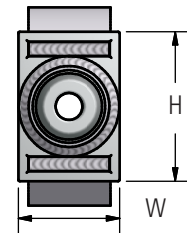
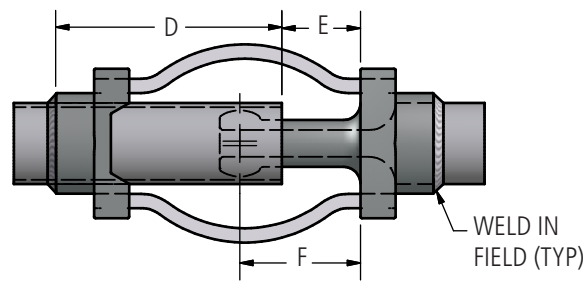


FIG. 1

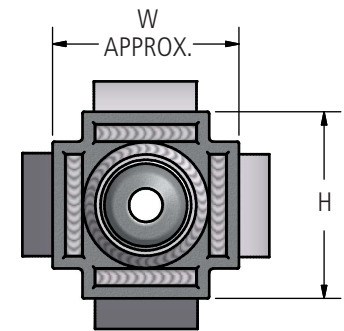
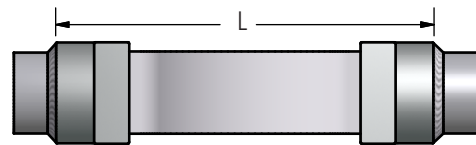


FIG. 2

Ordering Information

CATALOG NUMBER		SPS	FIG. NO.	DIMENSIONS IN INCHES				
SCH 40	SCH 80			D	F	H	L	W
XWWC100-AA	XWWC100E-AA	1	1	5 3/4	3 1/4	3	8 9/16	1 3/4
XWWC125-AA	XWWC125E-AA	1 1/4	1	6 3/4	3 1/4	3 1/4	9 1/2	2
XWWC150-AA	XWWC150E-AA	1 1/2	1	7 1/4	3 1/2	3 1/2	10 5/16	2 1/4
XWWC200-AA	XWWC200E-AA	2	1	7 7/16	4 3/4	3 3/4	11 3/4	3 13/16
XWWC250-AA	XWWC250E-AA	2 1/2	1	8 7/16	4 3/4	5 5/16	12 13/16	3 13/16
XWWC300-AA	XWWC300E-AA	3	1	8 3/8	5 9/16	6 1/4	13 13/16	3 13/16
XWWC350-AA	XWWC350E-AA	3 1/2	1	10	4 3/4	6 13/16	14 7/8	3 13/16
XWWC400-AA	XWWC400E-AA	4	2	10 7/16	4 3/4	7 1/8	15 13/16	7 1/8
XWWC500-AA	XWWC500E-AA	5	1	11 1/8	6 5/8	9 1/8	17 1/8	6 1/16
XWWC600-AA	XWWC600E-AA	6	2	11 1/8	6 5/8	9 9/16	18	9 9/16

DOSSERT® TYPE XWWCT-AA

Expansion Coupler

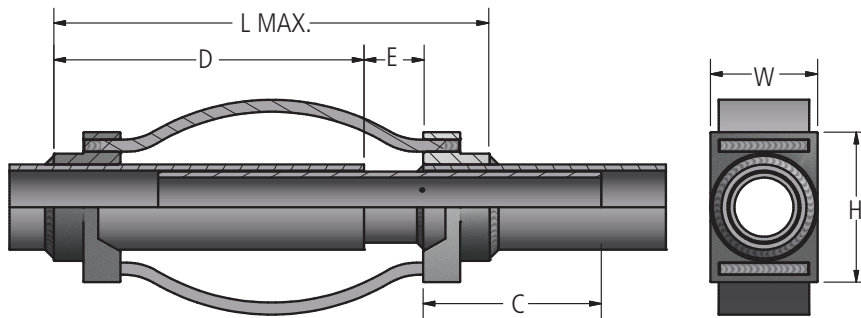
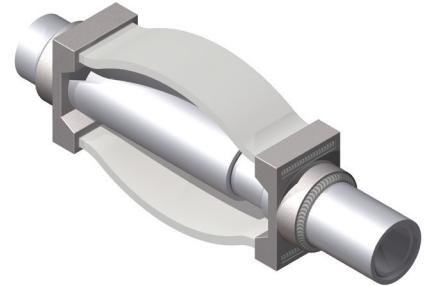
Expansion coupler is designed to compensate for expansion and contraction in long bus runs. An extruded pipe is provided to be field welded in place and provides alignment of bus.

Material

Aluminum Alloy

Notes

- For dimension "E", refer to pages 11-12 in the General Information section.



Ordering Information

CATALOG NUMBER		SPS / EHPS	DIMENSIONS IN INCHES				
SCH 40	SCH 80		C	D	H	L	W
XWWCT200-AA	XWWCT200E-AA	2	5 1/2	10 1/2	4 3/4	17 3/8	3 3/4
XWWCT250-AA	XWWCT250E-AA	2 1/2	6	10 1/2	5 1/16	17 1/2	3 5/8
XWWCT300-AA	XWWCT300E-AA	3	6 1/2	10 1/2	6 1/4	17 1/2	3 13/16
XWWCT350-AA	XWWCT350E-AA	3 1/2	7	10 1/2	6 7/8	17 1/2	3 11/16
XWWCT400-AA	XWWCT400E-AA	4	7 1/2	10 1/2	7 7/16	18	4 15/16
XWWCT500-AA	XWWCT500E-AA	5	8	10 1/2	9 1/8	18	6 1/16
XWWCT600-AA	XWWCT600E-AA	6	8	10 3/4	10	18	6 9/16