

## DOSSERT®

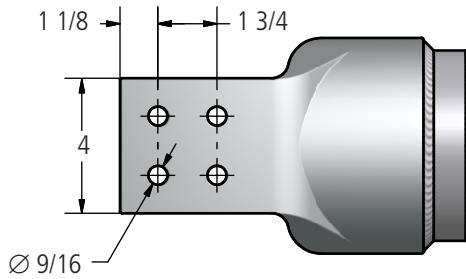
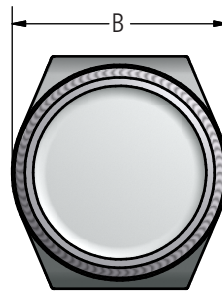
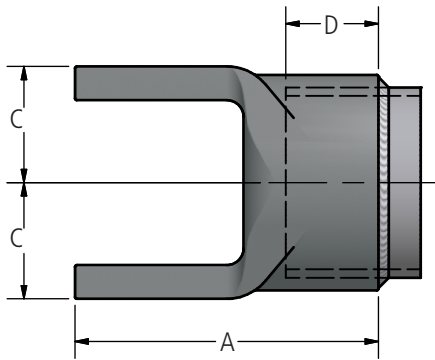
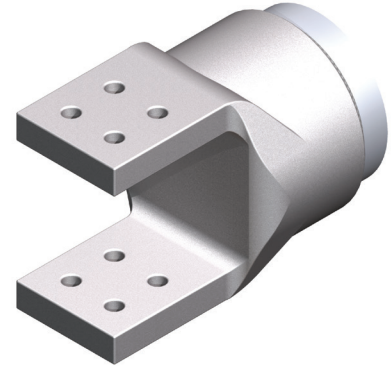
### TYPE 34300

#### Tube To Flat

Double terminal is designed to connect to aluminum or copper pads.

#### Material

Aluminum Alloy



### Ordering Information

CATALOG NUMBER	SPS	DIMENSIONS IN INCHES				NOMINAL WEIGHT LBS
		A	B	C	D	
34308E	3	7.62	4.12	2.62	1.75	5.20
34309E	3 1/2	8.19	4.69	2.94	2.00	5.90
34310E	4	8.44	5.19	3.25	2.25	6.20
34312E	5	9.00	6.38	3.44	2.75	8.30
34313E	6	9.50	7.56	4.25	3.25	9.50

## DOSSERT®

### TYPE WP2C-N-AA, WP2CA-N-30-AA, WP2CA-N-45-AA, WP2CA-N-90-AA

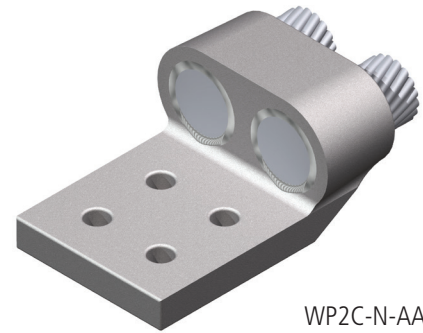
Welded Terminal to Two Cables

#### Material

Aluminum Alloy

#### Notes

1. Add "U" for undrilled. Ex: WP2C35-2NU-AA
2. Add "F" for finished on both sides
3. For a 30° add suffix '-30', for a 45° add suffix '-45', and for a 90° add suffix '-90'. You must also add an 'A' after WP2C.
4. For a 350 MCM cable, with a 4 hole pad finished on both sides, with a 45° angle use WP2CA35-4NF-45-AA.



WP2C-N-AA



WP2CA-N-45-AA

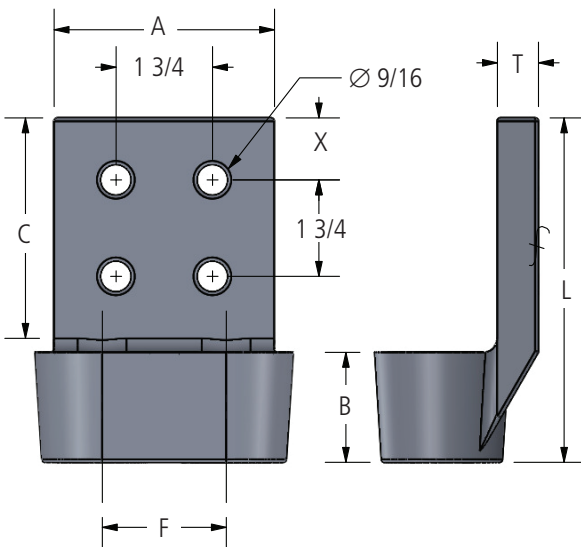


FIG. 2

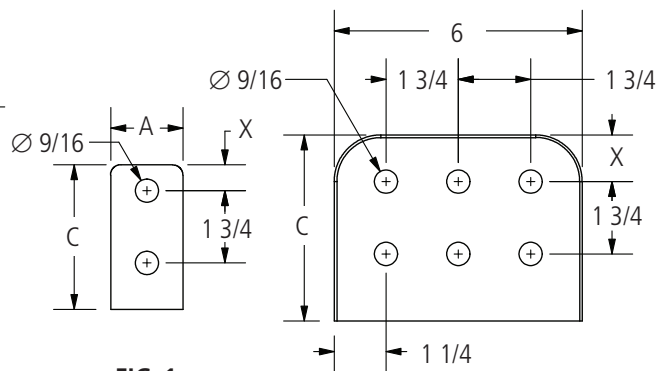


FIG. 1

FIG. 3

continued  
→



# 230 kV Aluminum Welded Terminal Connectors

## DOSSERT®

### TYPE WP2C-N-AA, WP2CA-N-30-AA, WP2CA-N-45-AA, WP2CA-N-90-AA

#### Ordering Information

CATALOG NUMBER	FIG. NO.	CABLE RANGE		DIMENSIONS IN INCHES							
		ALUMINUM	ACSR	A	B	C	F	L	T	X	
WP2C35-2N-AA	1	336.4 (19), 350 (19,37,61)	300 (26/7)	1 5/8	1 1/4	3	1 1/4	4 1/2	3/8	5/8	
WP2C35-4N-AA	2	336.4 (19), 350 (19,37,61)	300 (26/7)	3	1 1/4	3	1 1/4	4 1/2	3/8	5/8	
WP2C35-4N4-AA	2	336.4 (19), 350 (19,37,61)	300 (26/7)	4	1 1/4	4	1 1/4	5 1/2	3/8	1 1/8	
WP2C40-2N-AA	1	397.5 (19), 350 (19,37,61)	336.4 (18/1,26/7,30/7)	1 5/8	1 1/4	3	1 1/4	4 1/2	3/8	5/8	
WP2C40-4N-AA	2	397.5 (19), 400 (19,37)	336.4 (18/1,26/7,30/7)	3	1 1/4	3	1 3/8	4 1/2	3/8	5/8	
WP2C48-2N-AA	1	450 (19,37,61), 477 (19,37)	397.5 18/1,24/7,26/7,30/18)	1 5/8	1 1/4	3	1 3/8	4 1/2	3/8	5/8	
WP2C48-4N-AA	2	450 (19,37,61), 477 (19,37)	397.5 18/1,24/7,26/7,30/18)	3	1 1/4	3	1 3/8	4 1/2	3/8	5/8	
WP2C55-2N-AA	1	500 (19,37,61), 550 (61,91), 556.5 (19,37)	477 (18/1,24/7,26/7,30/7)	1 5/8	1 1/4	3	1 3/8	4 1/2	3/8	5/8	
WP2C55-4N-AA	2	500 (19,37,61), 550 (61,91), 556.5 (19,37)	477 (18/1,24/7,26/7,30/7)	3	1 1/4	3	1 3/8	4 1/2	3/8	5/8	
WP2C55-4N4-AA	2	500 (19,37,61), 550 (61,91), 556.5 (19,37)	477 (18/1,24/7,26/7,30/7)	4	1 1/4	4	1 3/8	5 1/2	3/8	1 1/8	
WP2C65-2N-AA	1	600 (37,61,91), 636 (37), 650 (37,61,91)	556.5 (18/1,24/7,26/7)	1 5/8	1 1/2	3	1 5/8	4 3/4	1/2	5/8	
WP2C65-4N-AA	2	600 (37,61,91), 636 (37), 650 (37,61,91)	556.5 (18/1,24/7,26/7)	3	1 1/2	3	1 5/8	4 3/4	1/2	5/8	
WP2C65-4N4-AA	2	600 (37,61,91), 636 (37), 650 (37,61,91)	556.5 (18/1,24/7,26/7)	4	1 1/2	4	1 5/8	5 3/4	1/2	1 1/8	
WP2C71-2N-AA	1	650 (37,61,91), 700 (37,61,91), 715.5 (37,61)	636 (24/7,26/7), 605 (24/7,26/7,30/19)	1 5/8	1 1/2	3	1 5/8	4 3/4	1/2	5/8	
WP2C71-4N-AA	2	650 (37,61,91), 700 (37,61,91), 715.5 (37,61)	636 (24/7,26/7), 605 (24/7,26/7,30/19)	3	1 1/2	3	1 5/8	4 3/4	1/2	5/8	
WP2C71-4N4-AA	2	650 (37,61,91), 700 (37,61,91), 715.5 (37,61)	636 (24/7,26/7), 605 (24/7,26/7,30/19)	4	1 1/2	4	1 5/8	5 3/4	1/2	1 1/8	
WP2C80-2N-AA	1	750 (37,61,91), 795 (37,61), 800 (61,91)	636 (30/19), 666.6 (24/7,26/7), 715.5 (27/4)	1 3/4	1 1/2	3	1 5/8	4 3/4	1/2	5/8	
WP2C80-4N-AA	2	750 (37,61,91), 795 (37,61), 800 (61,91)	636 (30/19), 666.6 (24/7,26/7), 715.5 (27/4)	3	1 1/2	3	1 5/8	4 3/4	1/2	5/8	
WP2C80-4N4-AA	2	750 (37,61,91), 795 (37,61), 800 (61,91)	636 (30/19), 666.6 (24/7,26/7), 715.5 (27/4)	4	1 1/2	4	1 5/8	5 3/4	1/2	1 1/8	
WP2C90-2N-AA	1	800 (61,91), 874.5 (37,61), 900 (37,61,91)	715.5 (30/19), 795 (36/1,45/7,24/7,54/7)	2	1 1/2	3	1 5/8	4 3/4	1/2	5/8	
WP2C90-4N-AA	2	800 (61,91), 874.5 (37,61), 900 (37,61,91)	715.5 (30/19), 795 (36/1,45/7,24/7,54/7)	3	1 1/2	3	1 5/8	4 3/4	1/2	5/8	
WP2C90-4N4-AA	2	800 (61,91), 874.5 (37,61), 900 (37,61,91)	715.5 (30/19), 795 (36/1,45/7,24/7,54/7)	4	1 1/2	4	1 5/8	5 3/4	1/2	1 1/8	
WP2C95-2N-AA	1	900 (37,61), 954 (37,61)	795 (30/19), 874.5 (54/7), 900 (45/7,54/7)	2	1 3/4	3	1 5/8	5	1/2	5/8	
WP2C95-4N-AA	2	900 (37,61), 954 (37,61)	795 (30/19), 874.5 (54/7), 900 (45/7,54/7)	3	1 3/4	3	1 5/8	5	1/2	5/8	
WP2C95-4N4-AA	2	900 (37,61), 954 (37,61)	795 (30/19), 874.5 (54/7), 900 (45/7,54/7)	4	1 3/4	4	1 5/8	6	11/16	1 1/8	
WP2C103-2N-AA	1	954 (37,61), 1000 (37,61,91), 1033.5 (37,61)	954,36/1,45/7,54/7)	2	1 3/4	3	1 3/4	5	1/2	5/8	
WP2C103-4N-AA	2	954 (37,61), 1000 (37,61,91), 1033.5 (37,61)	954,36/1,45/7,54/7)	3	1 3/4	3	1 3/4	5	1/2	5/8	
WP2C103-4N4-AA	2	954 (37,61), 1000 (37,61,91), 1033.5 (37,61)	954,36/1,45/7,54/7)	4	1 3/4	4	1 7/8	6	1/2	1 1/8	

continued →

230 kV Aluminum Welded



# 230 kV Aluminum Welded Terminal Connectors

## DOSSERT®

### TYPE WP2C-N-AA, WP2CA-N-30-AA, WP2CA-N-45-AA, WP2CA-N-90-AA

#### Ordering Information

CATALOG NUMBER	FIG. NO.	CABLE RANGE		DIMENSIONS IN INCHES							
		ALUMINUM	ACSR	A	B	C	F	L	T	X	
WP2C111-2N-AA	1	1100 (91,127), 1113 (61)	1033.5 (36/1,45/7,54/7)	2 1/2	1 3/4	3	1 7/8	5	1/2	5/8	
WP2C111-4N-AA	2	1100 (91,127), 1113 (61)	1033.5 (36/1,45/7,54/7)	3	1 3/4	3	1 7/8	5	1/2	5/8	
WP2C111-4N4-AA	2	1100 (91,127), 1113 (61)	1033.5 (36/1,45/7,54/7)	4	1 3/4	4	1 5/8	6	11/16	1 1/8	
WP2C127R-4N-AA	2	1272MCM ROPELAY	NA	3	2	3	2 1/4	5 1/2	3/4	5/8	
WP2C127R-4N4-AA	2	1272MCM ROPELAY	NA	4	2	4	2 1/4	6 1/4	3/4	1 1/8	
WP2C135-2N-AA	1	1192.5 (61), 1200 (91,127), 1250 (91,127), 1272 (61), 1300 (91,127), 1351.5 (61)	1113 (45/7,54/19), 1192.5 (45/7,54/19)	2 1/2	2	3	2 1/4	5 1/4	5/8	5/8	
WP2C135-4N-AA	2	1192.5 (61), 1200 (91,127), 1250 (91,127), 1272 (61), 1300 (91,127), 1351.5 (61)	1113 (45/7,54/19), 1192.5 (45/7,54/19)	3	2	3	2 1/4	5 1/4	5/8	5/8	
WP2C135-4N4-AA	2	1192.5 (61), 1200 (91,127), 1250 (91,127), 1272 (61), 1300 (91,127), 1351.5 (61)	1113 (45/7,54/19), 1192.5 (45/7,54/19)	4	2	4	2 1/4	6 1/4	5/8	1 1/8	
WP2C151-2N-AA	2	1400 (91,127), 1431 (61), 1500 (91,127), 1510.5 (61)	1272 (45/7,54/19), 1351.5 (45/7,54/19)	3	2	3	2 1/4	5 1/4	3/4	5/8	
WP2C151-4N-AA	2	1400 (91,127), 1431 (61), 1500 (91,127), 1510.5 (61)	1272 (45/7,54/19), 1351.5 (45/7,54/19)	3	2	3	2 1/4	5 3/4	3/4	5/8	
WP2C151-4N4-AA	2	1400 (91,127), 1431 (61), 1500 (91,127), 1510.5 (61)	1272 (45/7,54/19), 1351.5 (45/7,54/19)	4	2	4	2 1/4	6 1/4	3/4	1 1/8	
WP2C151-6N4-AA	3	1400 (91,127), 1431 (61), 1500 (91,127), 1510.5 (61)	1272 (45/7,54/19), 1351.5 (45/7,54/19)	6	2	4	2 1/4	6 1/4	3/4	1 1/8	
WP2C170-2N-AA	2	1590 (61), 1600 (127,169), 1700 (127,169)	1431 (45/7,54/19), 1510.5 (45/7,54/19)	3	2	3	2 1/4	5 1/4	3/4	5/8	
WP2C170-4N-AA	2	1590 (61), 1600 (127,169), 1700 (127,169)	1431 (45/7,54/19), 1510.5 (45/7,54/19)	3	2 1/4	3 1/2	2 1/4	6	3/4	5/8	
WP2C170-4N4-AA	2	1590 (61), 1600 (127,169), 1700 (127,169)	1431 (45/7,54/19), 1510.5 (45/7,54/19)	4	2 1/4	4	2 1/4	6 1/2	3/4	1 1/8	
WP2C170-6N4-AA	3	1590 (61), 1600 (127,169), 1700 (127,169)	1431 (45/7,54/19), 1510.5 (45/7,54/19)	6	2 1/4	4	2 1/4	6 1/2	3/4	1 1/8	
WP2C190-4N-AA	2	1750 (127,169), 1800 (127,169), 1900 (127,169)	1590 (45/7,54/19), 1780 (84/19)	3	2 1/4	3	2 1/4	5 1/2	3/4	5/8	
WP2C190-4N4-AA	2	1750 (127,169), 1800 (127,169), 1900 (127,169)	1590 (45/7,54/19), 1780 (84/19)	4	2 1/4	4	2 1/4	6 1/2	3/4	1 1/8	
WP2C190-6NA-AA	3	1750 (127,169), 1800 (127,169), 1900 (127,169)	1590 (45/7,54/19), 1780 (84/19)	6	2 1/4	4	2 1/4	6 1/2	3/4	1 1/8	
WP2C225-4N-AA	2	2000 (91,127,169), 2250 (91)	1780 (84/19), 2167 (72/7)	3	2 1/4	3	2 1/2	5 1/2	3/4	5/8	
WP2C225-4N4-AA	2	2000 (91,127,169), 2250 (91)	1780 (84/19), 2167 (72/7)	4	2 1/4	4	2 1/2	6 1/2	3/4	1 1/8	
WP2C225-6N4-AA	3	2000 (91,127,169), 2250 (91)	1780 (84/19), 2167 (72/7)	6	2 1/4	4	2 1/2	6 1/2	3/4	1 1/8	
WP2C250-4N-AA	2	2500 (91,127,169)	2156 (84/19)	3	2 1/4	3	2 3/4	5 1/2	3/4	5/8	
WP2C250-4N4-AA	2	2500 (91,127,169)	2156 (84/19)	4	2 1/4	4	2 3/4	6 1/2	3/4	1 1/8	
WP2C250-6N4-AA	3	2500 (91,127,169)	2156 (84/19)	6	2 1/4	4	2 3/4	6 1/2	3/4	1 1/8	
WP2C300-4N-AA	2	2750 (91), 3000 (127,169)	2870 ACSR	3	2 1/4	3	2 3/4	5 1/2	7/8	5/8	
WP2C300-4N4-AA	2	2750 (91), 3000 (127,169)	2870 ACSR	4	2 1/4	4	2 3/4	6 1/2	7/8	1 1/8	

230 kV Aluminum Welded

## DOSSERT®

### TYPE WPC-N-AA, WPCA-N-30-AA, WPCA-N-45-AA, WPCA-N-90-AA

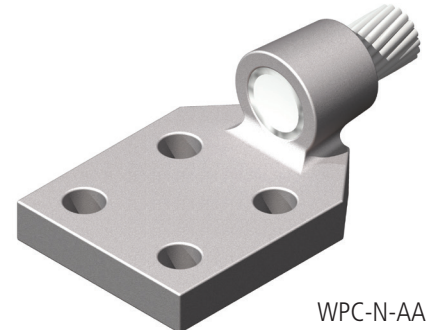
Offset Welded Terminal to Cable

#### Material

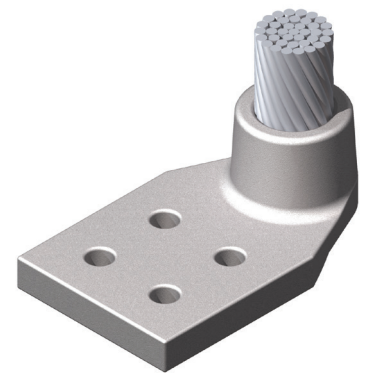
Aluminum Alloy

#### Notes

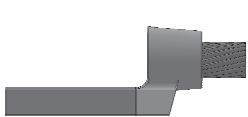
- Add "U" for undrilled
- Add "F" for finished on both sides
- For a 3", 4-hole NEMA pad at 45° angle to 450 MCM cable, order: WPCA48-4N-45-AA
- For a 3", 4-hole NEMA pad at 90° angle finished on both sides to 450 MCM cable, order: WPCA48-4NF-90-AA



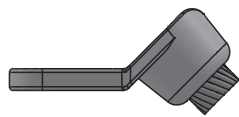
WPC-N-AA



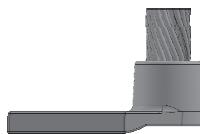
WPCA-N-90-AA



WPC-N-AA



WPCA-N-45-AA



WPCA-N-90-AA



WPCA-N-30-AA

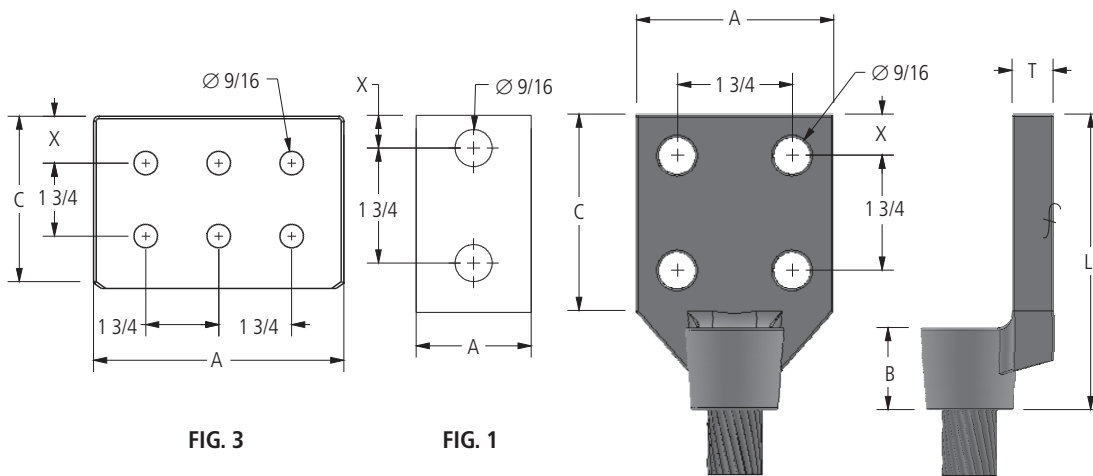


FIG. 3

FIG. 1

FIG. 2

### Ordering Information

CATALOG NUMBER	FIG. NO.	CABLE RANGE		DIMENSIONS IN INCHES					
		ALUMINUM	ACSR	A	B	C	T	L	X
WPC10-2N-AA	1	1/0 (7,19)	1 (6/1), 1/0 (6/1)	1 1/4	3/4	3	5/16	4	5/8
WPC10-4N-AA	2	1/0 (7,19)	1 (6/1), 1/0 (6/1)	3	3/4	3	5/16	4	5/8
WPC13-2N-AA	1	2/0 (7,19,37)	2/0, (6/1)	1 1/4	3/4	3	5/16	4	5/8
WPC17-2N-AA	1	3/0 (7,19,37)	101.8 (12/7), 3/0 (6/1)	1 1/4	3/4	3	5/16	4	5/8
WPC21-2N-AA	1	4/0 (7,19,37), 246.9 (7)	134.6 (12/7), 4/0 (6/1)	1 3/4	1	3	3/8	4 1/4	5/8
WPC21-4N-AA	2	4/0 (7,19,37), 246.9 (7)	134.6 (12/7), 4/0 (6/1)	3	1	3	5/16	4 1/4	5/8

continued  
→



# 230 kV Aluminum Welded Terminal Connectors

## DOSSERT®

### TYPE WPC-N-AA, WPCA-N-30-AA, WPCA-N-45-AA, WPCA-N-90-AA

#### Ordering Information

CATALOG NUMBER	FIG. NO.	CABLE RANGE		DIMENSIONS IN INCHES					
		ALUMINUM	ACSR	A	B	C	T	L	X
WPC21-4N4-AA	2	4/0 (7,19,37), 246.9 (7)	134.6 (12/7), 4/0 (6/1)	4	1	4	5/16	5 1/4	1 1/8
WPC31-2N-AA	1	250 (7,19,97,61)266.8 (7,19), 300 (19,37,61), 312.8 (19)	159 (12/7), 226.8 (19/1,26/7)	1 3/4	1	3	3/8	4 1/4	5/8
WPC31-4N-AA	2	250 (7,19,97,61)266.8 (7,19), 300 (19,37,61), 312.8 (19)	159 (12/7), 226.8 (19/1,26/7)	3	1	3	3/8	4 1/4	5/8
WPC31-4N4-AA	2	250 (7,19,97,61)266.8 (7,19), 300 (19,37,61), 312.8 (19)	159 (12/7), 226.8 (19/1,26/7)	4	1 1/4	4	3/8	5 1/2	1 1/8
WPC35-2N-AA	1	336.4 (19), 350 (19,37,61)	300 (26/7)	1 3/4	1	3	3/8	4 1/4	5/8
WPC35-4N-AA	2	336.4 (19), 350 (19,37,61)	300 (26/7)	3	1	3	3/8	4 1/4	5/8
WPC35-4N4-AA	2	336.4 (19), 350 (19,37,61)	300 (26/7)	4	1 1/4	4	3/8	5 1/2	1 1/8
WPC40-2N-AA	1	397.5 (19), 400 (37,61)	336.4 (18/1,26/7,30/7)	1 3/4	1 1/4	3	3/8	4 1/2	5/8
WPC40-4N-AA	2	397.5 (19), 400 (37,61)	336.4 (18/1,26/7,30/7)	3	1 1/4	3	3/8	4 1/2	5/8
WPC40-4N4-AA	2	397.5 (19), 400 (37,61)	336.4 (18/1,26/7,30/7)	4	1 1/4	4	3/8	5 1/2	1 1/8
WPC48-2N-AA	1	450 (19,37,61), 477 (19,37)	397.5 (18/1,24/7,26/7,30/7)	1 5/8	1 1/4	3	3/8	4 1/2	5/8
WPC48-4N-AA	2	450 (19,37,61), 477 (19,37)	397.5 (18/1,24/7,26/7,30/7)	3	1 1/4	3	5/8	4 1/2	5/8
WPC48-4N4-AA	2	450 (19,37,61), 477 (19,37)	397.5 (18/1,24/7,26/7,30/7)	4	1 1/4	4 1/2	3/8	6 3/16	1 1/8
WPC55-2N-AA	1	500 (19,37,61), 550 (61,91), 556.5 (19,37)	477 (18/1,24/7,26/7,30/7)	1 5/8	1 1/4	3	3/8	4 1/2	5/8
WPC55-4N-AA	2	500 (19,37,61), 550 (61,91), 556.5 (19,37)	477 (18/1,24/7,26/7,30/7)	3	1 1/4	3	3/8	4 1/2	5/8
WPC55-4N4-AA	2	500 (19,37,61), 550 (61,91), 556.5 (19,37)	477 (18/1,24/7,26/7,30/7)	4	1 1/4	4	3/8	5 1/2	1 1/8
WPC65-2N-AA	1	600 (37,61,91), 636 (37), 650 (37,61,91)	556.5 (18/1,24/7,26/7)	1 3/4	1 1/2	3	1/2	4 3/4	5/8
WPC65-4N-AA	2	600 (37,61,91), 636 (37), 650 (37,61,91)	556.5 (18/1,24/7,26/7)	3	1 1/2	3	1/2	4 3/4	5/8
WPC65-4N4-AA	2	600 (37,61,91), 636 (37), 650 (37,61,91)	556.5 (18/1,24/7,26/7)	4	1 1/2	4	1/2	5 3/4	1 1/8
WPC71-2N-AA	1	650 (37,61,91), 700 (37,61,91), 715.5 (37,61)	636 (24/7,26/7), 605 (24/7,26/7,30/19)	1 3/4	1 1/2	3	1/2	4 3/4	5/8
WPC71-4N-AA	2	650 (37,61,91), 700 (37,61,91), 715.5 (37,61)	636 (24/7,26/7), 605 (24/7,26/7,30/19)	3	1 1/2	3	1/2	4 3/4	5/8
WPC71-4N4-AA	2	650 (37,61,91), 700 (37,61,91), 715.5 (37,61)	636 (24/7,26/7), 605 (24/7,26/7,30/19)	4	1 1/2	4	1/2	5 3/4	1 1/8
WPC79-2N-AA	1	795 MCM	—	1 3/4	1 1/2	3	5/8	4 3/4	5/8
WPC79-3N-AA	2	795 MCM	—	3	1 1/2	3	5/8	4 3/4	5/8
WPC80-2N-AA	1	750 (37,61,91), 795 (37,61), 800 (61,91)	636 (30/19), 666.6 (24/7,26/7), 715.5 (24/7)	1 3/4	1 1/2	3	1/2	4 3/4	5/8
WPC80-2N3-AA	1	750 (37,61,91), 795 (37,61), 800 (61,91)	636 (30/19), 666.6 (24/7,26/7), 715.5 (24/7)	2	1 1/2	3	1/2	4 3/4	5/8
WPC80-4N-AA	2	750 (37,61,91), 795 (37,61), 800 (61,91)	636 (30/19), 666.6 (24/7,26/7), 715.5 (24/7)	3	1 1/2	3	1/2	4 3/4	5/8
WPC80-4N4-AA	2	750 (37,61,91), 795 (37,61), 800 (61,91)	636 (30/19), 666.6 (24/7,26/7), 715.5 (24/7)	4	1 1/2	4	1/2	5 3/4	1 1/8
WPC90-2N-AA	1	800 (61,91), 874.5 (37,61), 900 (37,61,91)	715.5 (30/19), 795 (36/1,45/7,24/7,54/7)	2	1 1/2	3	1/2	4 3/4	5/8
WPC90-4N-AA	2	800 (61,91), 874.5 (37,61), 900 (37,61,91)	715.5 (30/19), 795 (36/1,45/7,24/7,54/7)	3	1 1/2	3	1/2	4 3/4	5/8
WPC90-4N4-AA	2	800 (61,91), 874.5 (37,61), 900 (37,61,91)	715.5 (30/19), 795 (36/1,45/7,24/7,54/7)	4	1 1/2	4	1/2	5 3/4	1 1/8
WPC95-2N-AA	1	900 (37,61), 954 (37,61)	795 (26/7, 30/19), 874.5 (54/7), 900 (45/7, 54/7)	2	1 3/4	3	1/2	5	5/8
WPC95-4N-AA	2	900 (37,61), 954 (37,61)	795 (26/7, 30/19), 874.5 (54/7), 900 (45/7, 54/7)	3	1 3/4	3	1/2	5	5/8
WPC95-4N4-AA	2	900 (37,61), 954 (37,61)	795 (26/7, 30/19), 874.5 (54/7), 900 (45/7, 54/7)	4	1 3/4	4	1/2	6	1 1/8

230 kV – Welded Terminal Conn.

continued  
→





# 230 kV Aluminum Welded Terminal Connectors

## DOSSERT®

### TYPE WPC-N-AA, WPCA-N-30-AA, WPCA-N-45-AA, WPCA-N-90-AA

#### Ordering Information

CATALOG NUMBER	FIG. NO.	CABLE RANGE		DIMENSIONS IN INCHES					
		ALUMINUM	ACSR	A	B	C	T	L	X
WPC103-2N-AA	1	954 (37/61), 1000 (37,61,91), 1033.5 (37,61)	954 (36/1,45/7,54/7)	2	1 3/4	3	1/2	5	5/8
WPC103-4N-AA	2	954 (37/61), 1000 (37,61,91), 1033.5 (37,61)	954 (36/1,45/7,54/7)	3	1 3/4	3	1/2	5	5/8
WPC103-4N4-AA	2	954 (37/61), 1000 (37,61,91), 1033.5 (37,61)	954 (36/1,45/7,54/7)	4	1 3/4	4	1/2	6	1 1/8
WPC103-4N4-AA-T3/4	2	954 (37/61), 1000 (37,61,91), 1033.5 (37,61)	954 (36/1,45/7,54/7)	4	1 3/4	4	3/4	6	1 1/8
WPC111-2N-AA	1	1100 (91,127), 1113 (61)	1033.5 (36/1,45/7,54/7)	2 1/2	1 3/4	3	1/2	5	5/8
WPC111-4N-AA	2	1100 (91,127), 1113 (61)	1033.5 (36/1,45/7,54/7)	3	1 3/4	3	1/2	5	5/8
WPC111-4N4-AA	2	1100 (91,127), 1113 (61)	1033.5 (36/1,45/7,54/7)	4	1 3/4	4	1/2	6	1 1/8
WPC127A-4N-AA	2	—	1272 MCM	3	2	3	3/4	5 1/4	5/8
WPC127A-4N4-AA	2	—	1272 MCM	4	2	4	11/16	5 1/2	1 1/8
WPC127R-4N-AA	2	1272 MCM ROPE LAY	—	3	2	3	11/16	5 1/2	5/8
WPC127R-4N4-AA	2	1272 MCM ROPE LAY	—	4	2	4 1/4	11/16	6 1/2	1 1/8
WPC135-2N-AA	1	1192.5 (61), 1200 (91,127), 1250 (91,127), 1272 (61), 1300 (91,127), 1351.5 (61)	1113 (45/7,54/19), 1192.5 (45/7,54/19)	2 1/2	2	3	9/16	5 1/4	5/8
WPC135-4N-AA	2	1192.5 (61), 1200 (91,127), 1250 (91,127), 1272 (61), 1300 (91,127), 1351.5 (61)	1113 (45/7,54/19), 1192.5 (45/7,54/19)	3	2	3	9/16	5 1/4	5/8
WPC135-4N4-AA	2	1192.5 (61), 1200 (91,127), 1250 (91,127), 1272 (61), 1300 (91,127), 1351.5 (61)	1113 (45/7,54/19), 1192.5 (45/7,54/19)	4	2	4	9/16	6 1/4	1 1/8
WPC151-4N-AA	2	1400 (91,127), 1431 (61), 1500 (91,127), 1510.5 (61)	1272 (45/7,54/19), 1351.5 (45/7,54/19)	3	2 1/4	3	3/4	5 5/8	5/8
WPC151-4N4-AA	2	1400 (91,127), 1431 (61), 1500 (91,127), 1510.5 (61)	1272 (45/7,54/19), 1351.5 (45/7,54/19)	4	2 1/4	4	3/4	6 5/8	1 1/8
WPC159-2N-AA	1	1590 MCM	—	2 1/2	2	3	11/16	5 5/16	5/8
WPC159-4N-AA	2	1590 MCM	—	3	2	3	11/16	5 5/16	5/8
WPC159-4N4-AA	2	1590 MCM	—	4	2	4	11/16	6 5/16	1 1/8
WPC170-2N-AA	1	1590 (61), 1600 (127,169), 1700 (127,169)	1431 (45/7,54/19), 1510.5 (45/7, 54/19)	2 1/2	2 1/4	3	3/4	5 1/2	5/8
WPC170-4N-AA	2	1590 (61), 1600 (127,169), 1700 (127,169)	1431 (45/7,54/19), 1510.5 (45/7, 54/19)	3	2 1/4	3	5/8	5 1/2	5/8
WPC170-4N4-AA	2	1590 (61), 1600 (127,169), 1700 (127,169)	1431 (45/7,54/19), 1510.5 (45/7, 54/19)	4	2 1/4	4	3/4	6 5/8	1 1/8
WPC190-4N-AA	2	1750 (127,169), 1800 (127,169), 1900 (127,169)	1590 (45/7,54/19), 1780 (84/19)	3	2 1/4	3	11/16	5 1/2	5/8
WPC190-4N4-AA	2	1750 (127,169), 1800 (127,169), 1900 (127,169)	1590 (45/7,54/19), 1780 (84/19)	4	2 1/4	4	11/16	6 1/2	1 1/8
WPC190-6N4-AA	3	1750 (127, 169), 1800 (127, 169), 1900 (127, 169)	1590 (45/7, 54/19), 1780 (84/19)	6	2 1/4	4	11/16	6 1/2	1 1/8
WPC205-4N4-AA	2	2049 MCM ACAR	—	4	2 1/4	4	3/4	6 9/16	1 1/8
WPC225-4N-AA	2	2000 (91,127,169), 2250 (91)	1780 (84/19), 2167 (72/7)	3	2 1/4	3	3/4	5 9/16	5/8
WPC225-4N4-AA	2	2000 (91,127,169), 2250 (91)	1780 (84/19), 2167 (72/7)	4	2 1/4	4	3/4	6 9/16	1 1/8
WPC225-6N4-AA	3	2000 (91,127,169), 2250 (91)	1780 (84/19), 2167 (72/7)	6	2 1/4	4	3/4	6 9/16	1 1/8
WPC234-4N4-AA	2	2336 MCM ACAR	—	4	2 1/4	4	3/4	6 9/16	1 1/8
WPC240R-4N4-AA	2	2.4 DI	—	4	2 3/4	4 1/4	1	7 1/4	1 1/8
WPC250-4N-AA	2	2500 (91,127,169)	2156 (84/19)	3	2 1/4	3	3/4	5 1/2	5/8
WPC250-4N4-AA	2	2500 (91,127,169)	2156 (84/19)	4	2 1/4	4	3/4	6 1/2	1 1/8
WPC300-4N-AA	2	2750 (91), 3000 (127,169)	2870 MCM	3	2 1/4	3	3/4	5 1/2	5/8
WPC300-4N4-AA	2	2750 (91), 3000 (127,169)	2870 MCM	4	2 1/4	4	3/4	6 5/8	1 1/8

230 kV – Welded Terminal Conn.

## DOSSERT®

### TYPE WTP-N-AA

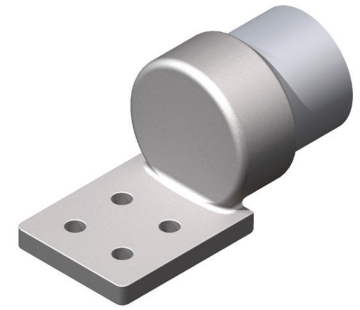
#### Flush Welded Terminal

#### Material

Aluminum Alloy

#### Notes

1. Add "U" for undrilled pad. EX: WTP400-4N4U-AA
2. Add "F" for finished pad on both sides. EX: WTP75-2NF-AA



WTP-N-AA

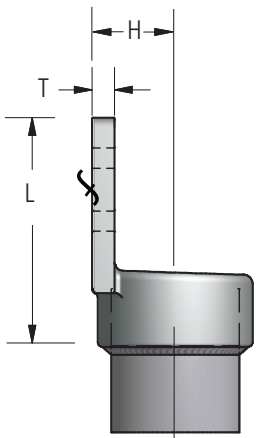


FIG. 1

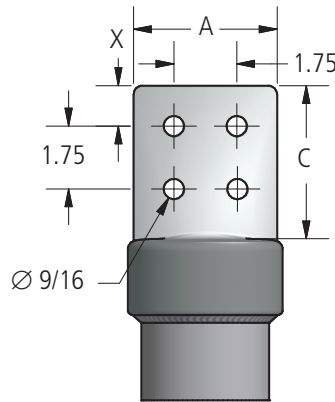
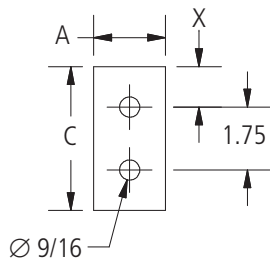


FIG. 2

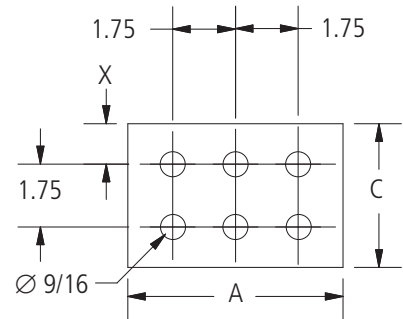


FIG. 3

*continued*  
→





# 230 kV Aluminum Welded Terminal Connectors

**DOSSERT®**

**TYPE WTP-N-AA**

**Flush Welded Terminal**

## Ordering Information

CATALOG NUMBER	SPS	FIGURE NUMBER	DIMENSIONS IN INCHES					
			A	C	H	L	T	X
WTP75-2N-AA	3/4	1	2.00	3.00	1.31	4.31	0.38	0.63
WTP75-4N-AA	3/4	2	3.00	3.00	1.31	4.31	0.38	0.63
WTP100-2N-AA	1	1	2.00	3.00	1.19	4.25	0.50	0.63
WTP100-4N-AA	1	2	3.00	3.00	1.00	4.25	0.38	0.63
WTP100-4N4-AA	1	2	4.00	4.00	1.00	5.25	0.38	1.13
WTP125-2N-AA	1-1/4	1	2.00	3.00	1.25	4.63	0.50	0.63
WTP125-4N-AA	1-1/4	2	3.00	3.00	1.44	5.00	0.63	0.63
WTP125-4N4-AA	1-1/4	2	4.00	4.00	1.25	5.44	0.50	1.13
WTP150-2N-AA	1-1/2	1	2.00	3.00	1.56	5.00	0.50	0.63
WTP150-4N-AA	1-1/2	2	3.00	3.00	1.56	5.00	0.50	0.63
WTP150-4N4-AA	1-1/2	2	4.00	4.00	1.56	6.00	0.50	1.13
WTP200-2N-AA	2	1	2.00	3.00	1.69	4.88	0.50	0.63
WTP200-4N-AA	2	2	3.00	3.00	1.81	5.25	0.63	0.63
WTP200-4N4-AA	2	2	4.00	4.00	1.69	5.88	0.63	1.13
WTP250-2N-AA	2-1/2	1	2.00	3.00	1.94	5.25	0.63	0.63
WTP250-4N-AA	2-1/2	2	3.00	3.00	1.94	5.25	0.63	0.63
WTP250-4N4-AA	2-1/2	2	4.00	4.00	1.88	6.25	0.63	1.13
WTP300-2N-AA	3	1	2.00	3.00	2.31	5.63	0.63	0.63
WTP300-4N-AA	3	2	3.00	3.00	2.25	5.38	0.63	0.63
WTP300-4N4-AA	3	2	4.00	4.00	2.25	6.38	0.63	1.13
WTP300-5N4-AA	3	3	5.00	4.00	2.31	6.63	0.63	1.13
WTP300-6N4-AA	3	3	6.00	4.00	2.31	6.63	0.63	1.13
WTP350-2N-AA	3-1/2	1	2.00	3.00	2.56	5.50	0.75	0.63
WTP350-4N-AA	3-1/2	2	3.00	3.00	2.56	5.50	0.75	0.63
WTP350-4N4-AA	3-1/2	2	4.00	4.00	2.56	6.50	0.75	1.13
WTP350-5N4-AA	3-1/2	3	5.00	4.00	2.56	6.88	0.75	1.13
WTP350-6N4-AA	3-1/2	3	6.00	4.00	2.56	6.88	0.75	1.13
WTP400-4N-AA	4	2	3.00	3.50	2.97	6.38	0.75	0.63
WTP400-4N4-AA	4	2	4.00	4.00	2.97	7.50	0.75	1.13
WTP400-5N4-AA	4	3	5.00	4.00	2.88	7.13	0.75	1.13
WTP400-6N4-AA	4	3	6.00	4.00	2.88	7.13	0.75	1.13
WTP500-4N-AA	5	2	3.00	3.00	3.44	6.63	0.88	0.63
WTP500-4N4-AA	5	2	4.00	4.00	3.44	7.00	0.88	1.13
WTP500-5N4-AA	5	3	5.00	4.00	3.44	7.63	0.88	1.13
WTP500-6N4-AA	5	3	6.00	4.00	3.44	7.63	0.88	1.13
WTP600-4N-AA	6	2	3.00	3.00	3.94	7.13	1.00	0.63
WTP600-4N4-AA	6	2	4.00	4.50	4.25	8.94	1.06	1.13
WTP600-5N4-AA	6	3	5.00	4.00	3.94	8.13	1.00	1.13
WTP600-6N4-AA	6	3	6.00	4.00	3.94	7.00	1.00	1.13
WTP800R-4N4-AA	8" OD	2	4.00	4.00	5.08	8.13	1.25	1.13
WTP800R-6N4-AA	8" OD	3	6.00	4.00	5.02	8.00	1.25	1.13

## DOSSERT® TYPE WTPA-N-45-AA

Flush Welded Terminal, 45 Degree

### Material

Aluminum Alloy

### Notes

1. Add "U" for undrilled pad. EX: WTPA400-4N4U-45-AA
2. Add "F" for finished pad on both sides. EX: WTPA75-2NF-AA



WTPA-N-45-AA

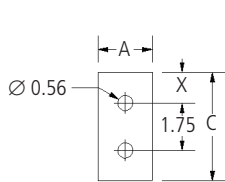
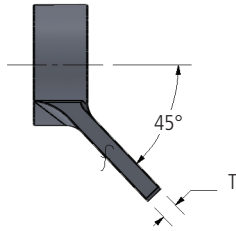
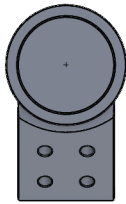


FIG. 1

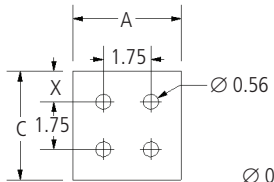


FIG. 2

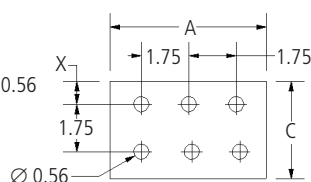


FIG. 3

*continued*  
→

## DOSSERT®

### TYPE WTPA-N-45-AA

Flush Welded Terminal, 45 Degree

#### Ordering Information

CATALOG NUMBER	SPS	FIGURE NUMBER	DIMENSIONS IN INCHES			
			A	C	T	X
WTPA75-2N-45-AA	3/4	1	2.00	3.00	0.38	0.63
WTPA75-4N-45-AA	3/4	2	3.00	3.00	0.38	0.63
WTPA100-2N-45-AA	1	1	2.00	3.00	0.50	0.63
WTPA100-4N-45-AA	1	2	3.00	3.00	0.38	0.63
WTPA100-4N4-45-AA	1	2	4.00	4.00	0.38	1.13
WTPA125-2N-45-AA	1-1/4	1	2.00	3.00	0.50	0.63
WTPA125-4N-45-AA	1-1/4	2	3.00	3.00	0.63	0.63
WTPA125-4N4-45-AA	1-1/4	2	4.00	4.00	0.50	1.13
WTPA150-2N-45-AA	1-1/2	1	2.00	3.00	0.50	0.63
WTPA150-4N-45-AA	1-1/2	2	3.00	3.00	0.50	0.63
WTPA150-4N4-45-AA	1-1/2	2	4.00	4.00	0.50	1.13
WTPA200-2N-45-AA	2	1	2.00	3.00	0.50	0.63
WTPA200-4N-45-AA	2	2	3.00	3.13	0.50	0.63
WTPA200-4N4-45-AA	2	2	4.00	4.00	0.50	1.13
WTPA250-2N-45-AA	2-1/2	1	2.00	3.25	0.63	0.63
WTPA250-4N-45-AA	2-1/2	2	3.00	3.00	0.63	0.63
WTPA250-4N4-45-AA	2-1/2	2	4.00	4.00	0.63	1.13
WTPA300-2N-45-AA	3	1	2.00	3.00	0.63	0.63
WTPA300-4N-45-AA	3	2	3.00	3.00	0.63	0.63
WTPA300-4N4-45-AA	3	2	4.00	4.00	0.75	1.13
WTPA300-5N4-45-AA	3	3	5.00	4.00	0.63	1.13
WTPA300-6N4-45-AA	3	3	6.00	4.00	0.63	1.13
WTPA350-2N-45-AA	3-1/2	1	2.00	3.00	0.75	0.63
WTPA350-4N-45-AA	3-1/2	2	3.00	3.00	0.75	0.63
WTPA350-4N4-45-AA	3-1/2	2	4.00	4.00	0.75	1.13
WTPA350-5N4-45-AA	3-1/2	3	5.00	4.00	0.75	1.13
WTPA350-6N4-45-AA	3-1/2	3	6.00	4.00	0.75	1.13
WTPA400-4N-45-AA	4	2	3.00	3.00	0.75	0.63
WTPA400-4N4-45-AA	4	2	4.00	4.00	0.75	1.13
WTPA400-5N4-45-AA	4	3	5.00	4.00	0.75	1.13
WTPA400-6N4-45-AA	4	3	6.00	4.00	0.75	1.13
WTPA500-4N-45-AA	5	2	3.00	3.00	0.88	0.63
WTPA500-4N4-45-AA	5	2	4.00	4.00	0.88	1.13
WTPA500-5N4-45-AA	5	3	5.00	4.00	0.88	1.13
WTPA500-6N4-45-AA	5	3	6.00	4.00	0.88	1.13
WTPA600-4N-45-AA	6	2	3.00	3.00	1.00	0.63
WTPA600-4N4-45-AA	6	2	4.00	4.00	0.63	1.13
WTPA600-5N4-45-AA	6	3	5.00	4.00	1.00	1.13
WTPA600-6N4-45-AA	6	3	6.00	4.00	0.63	1.13
WTPA800R-4N4-45-AA	8" OD	2	4.00	4.00	1.25	1.13
WTPA800R-6N4-45-AA	8" OD	3	6.00	4.00	1.25	1.13

## DOSSERT®

### TYPE WTPA-N-90-AA

Flush Welded Terminal, 90 Degree

#### Material

Aluminum Alloy

#### Notes

1. Add "U" for undrilled pad. EX: WTPA400-4N4U-90-AA
2. Add "F" for finished pad on both sides. EX: WTPA75-2NF-90-AA



WTPA-N-90-AA

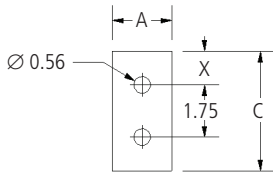


FIG. 1

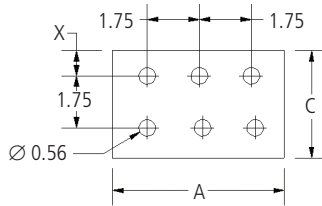


FIG. 3

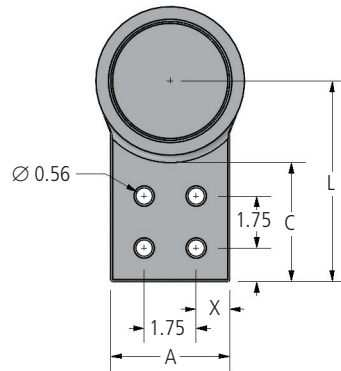
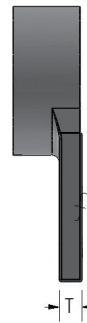


FIG. 2



continued  
→



**DOSSERT®**

**TYPE WTPA-N-90-AA**

Flush Welded Terminal, 90 Degree

**Ordering Information**

CATALOG NUMBER	SPS	FIGURE NUMBER	DIMENSIONS IN INCHES				
			A	C	L	T	X
WTPA75-2N-90-AA	3/4	1	2.00	3.00	3.88	0.38	0.63
WTPA75-4N-90-AA	3/4	2	3.00	3.00	3.88	0.38	0.63
WTPA100-2N-90-AA	1	1	2.00	3.00	4.19	0.38	0.63
WTPA100-4N-90-AA	1	2	3.00	3.00	4.19	0.38	0.63
WTPA100-4N4-90-AA	1	2	4.00	4.00	5.19	0.38	1.13
WTPA125-2N-90-AA	1-1/4	1	2.00	3.00	4.50	0.63	0.63
WTPA125-4N-90-AA	1-1/4	2	3.00	3.00	4.50	0.63	0.63
WTPA125-4N4-90-AA	1-1/4	2	4.00	4.00	5.63	0.50	1.13
WTPA150-2N-90-AA	1-1/2	1	2.00	3.00	4.69	0.50	0.63
WTPA150-4N-90-AA	1-1/2	2	3.00	3.00	4.69	0.50	0.63
WTPA150-4N4-90-AA	1-1/2	2	4.00	4.00	5.63	0.50	1.13
WTPA200-2N-90-AA	2	1	2.00	3.00	4.75	0.50	0.63
WTPA200-4N-90-AA	2	2	3.00	3.00	4.75	0.50	0.63
WTPA200-4N4-90-AA	2	2	4.00	4.00	5.75	0.50	1.13
WTPA250-2N-90-AA	2-1/2	1	2.50	3.00	6.19	0.63	0.63
WTPA250-4N-90-AA	2-1/2	2	3.00	3.00	5.20	0.63	0.63
WTPA250-4N4-90-AA	2-1/2	2	4.00	4.00	6.19	0.63	1.13
WTPA300-2N-90-AA	3	1	2.00	3.00	5.44	0.63	0.63
WTPA300-4N-90-AA	3	2	3.00	3.00	5.41	0.63	0.63
WTPA300-4N4-90-AA	3	2	4.00	4.00	6.44	0.63	1.13
WTPA300-5N4-90-AA	3	3	5.00	4.00	6.44	0.63	1.13
WTPA300-6N4-90-AA	3	3	6.00	4.00	6.44	0.63	1.13
WTPA350-2N-90-AA	3-1/2	1	2.00	3.00	5.72	0.75	0.63
WTPA350-4N-90-AA	3-1/2	2	3.00	3.00	5.75	0.75	0.63
WTPA350-4N4-90-AA	3-1/2	2	4.00	4.00	6.75	0.75	1.13
WTPA350-5N4-90-AA	3-1/2	3	5.00	4.00	6.75	0.75	1.13
WTPA350-6N4-90-AA	3-1/2	3	6.00	4.00	6.75	0.75	1.13
WTPA400-4N-90-AA	4	2	3.00	3.00	6.52	0.75	0.63
WTPA400-4N4-90-AA	4	2	4.00	4.00	7.02	0.75	1.13
WTPA400-5N4-90-AA	4	3	5.00	4.00	7.02	0.75	1.13
WTPA400-6N4-90-AA	4	3	6.00	4.00	7.02	0.75	1.13
WTPA500-4N-90-AA	5	2	3.00	3.50	7.06	0.88	0.63
WTPA500-4N4-90-AA	5	2	4.00	4.00	7.56	0.88	1.13
WTPA500-5N4-90-AA	5	3	5.00	4.00	7.56	0.88	1.13
WTPA500-6N4-90-AA	5	3	6.00	4.50	8.12	1.13	1.13
WTPA600-4N-90-AA	6	2	3.00	3.00	7.00	1.00	0.63
WTPA600-4N4-90-AA	6	2	4.00	4.00	8.22	1.00	1.13
WTPA600-5N4-90-AA	6	3	5.00	4.00	8.22	1.00	1.13
WTPA600-6N4-90-AA	6	3	6.00	4.00	8.22	1.00	1.13
WTPA800R-4N4-90-AA	8" OD	2	4.00	4.00	9.33	1.25	1.13
WTPA800R-6N4-90-AA	8" OD	3	6.00	4.00	9.33	1.25	1.13

230 kV – Welded Terminal Conn.

## DOSSERT®

### TYPE WTPC-N-AA

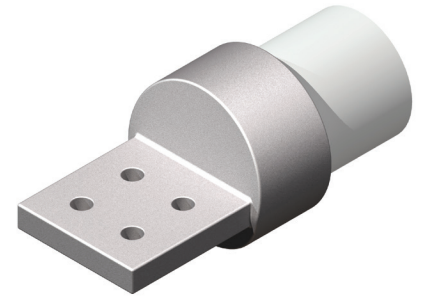
#### External Center Form Welded Terminal

#### Material

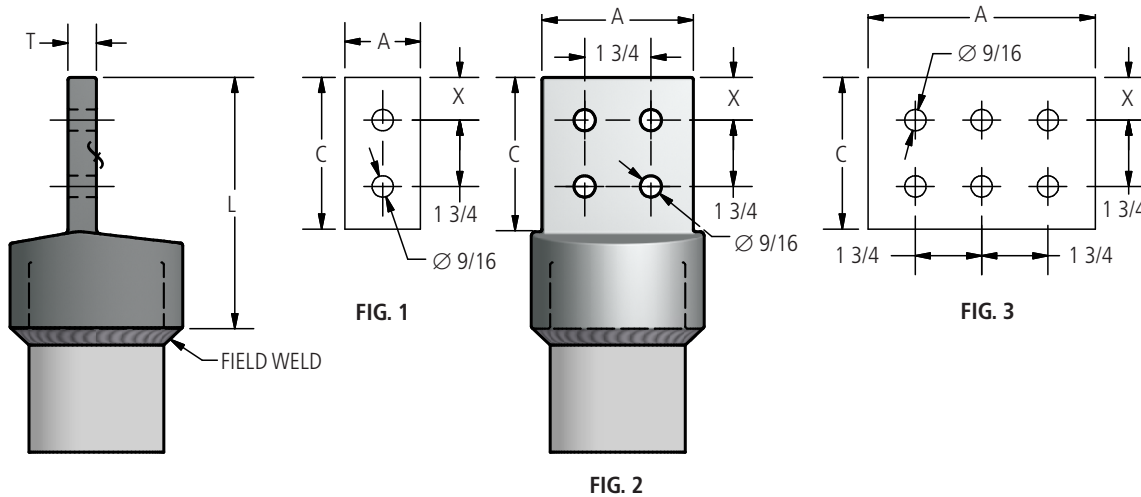
Aluminum Alloy

#### Notes

- Add "U" for undrilled
- Add "F" for finished on both sides EX: WTPC75-2NF-AA



230 kV – Welded Terminal Conn.



#### Ordering Information

CATALOG NUMBER	FIGURE NUMBER	SPS	DIMENSIONS IN INCHES				
			A	C	L	T	X
WTPC75-2N-AA	1	3/4	2	3	4 5/8	3/8	5/8
WTPC75-4N-AA	2	3/4	3	3	4 5/8	3/8	5/8
WTPC100-2N-AA	1	1	2	3	5	3/8	5/8
WTPC100-4N-AA	2	1	3	3	5	3/8	5/8
WTPC100-4N4-AA	2	1	4	4	6	3/8	1 1/8
WTPC125-2N-AA	1	1 1/4	2	3	5	1/2	5/8
WTPC125-4N4-AA	2	1 1/4	4	4	6	1/2	1 1/8
WTPC125-4N-AA	2	1 1/4	3	3	5	1/2	5/8
WTPC150-2N-AA	1	1 1/2	2	3	5	5/8	5/8
WTPC150-4N4-AA	2	1 1/2	4	4	6 1/32	1/2	1 1/8
WTPC150-4N-AA	2	1 1/2	3	3	4 5/8	1/2	5/8
WTPC200-2N-AA	1	2	2	3	5	1/2	5/8
WTPC200-4N4-AA	2	2	4	4	6	1/2	1 1/8
WTPC200-4N-AA	2	2	3	3	5	1/2	5/8
WTPC250-2N-AA	1	2 1/2	3	3	5	5/8	5/8
WTPC250-4N4-AA	2	2 1/2	4	4	6	5/8	1 1/8
WTPC250-4N-AA	2	2 1/2	3	3	5	5/8	5/8
WTPC300-2N-AA	1	3	2 1/2	3	5 1/4	3/4	5/8
WTPC300-4N4-AA	2	3	4	4	6 5/8	3/4	1 1/8
WTPC300-4N-AA	2	3	3	3	5 1/4	3/4	5/8
WTPC350-4N-AA	2	3 1/2	3	3	5 5/8	3/4	5/8
WTPC350-4N4-AA	2	3 1/2	4	4	6 5/8	3/4	1 1/8
WTPC400-2N-AA	1	4	2 1/2	3	6	3/4	5/8
WTPC400-4N4-AA	2	4	4	4	7	7/8	1 1/8
WTPC400-4N-AA	2	4	3	3	6	3/4	5/8
WTPC400-5N4-AA	3	4	5	4	6 3/4	3/4	1 1/8
WTPC400-6N4-AA	3	4	6	4 1/2	7 1/2	7/8	1 1/8
WTPC500-4N-AA	2	5	3	3 1/2	6 7/8	3/4	5/8
WTPC500-4N4-AA	2	5	4	4	7 3/8	3/4	1 1/8
WTPC500-5N4-AA	3	5	5	4	7 3/8	7/8	1 1/8
WTPC500-6N4-AA	3	5	6	4	7 3/8	7/8	1 1/8
WTPC600-4N4-AA	2	6	4	4	7 7/8	1	1 1/8
WTPC600-6N4-AA	3	6	6 1/8	4	7 7/8	1	1 1/8
WTPC800-4N4-AA	2	8	4	4	7 7/8	1 1/4	1 1/8
WTPC800-6N4-AA	3	8	6	4	7 7/8	1 1/4	1 1/8

## DOSSERT®

### TYPE WTPI-N-AA, WTPIA-N-45-AA, WTPIA-N-90-AA

#### Internal Welded Terminal

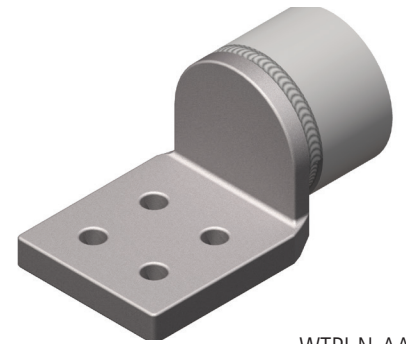
WTPI-N-AA the pad and pipe run parallel, WTPIA-N-45-AA the pad is at a 45° angle to the pipe, and WTPIA-N-90-AA the pad is at a 90° angle to the pipe.

#### Material

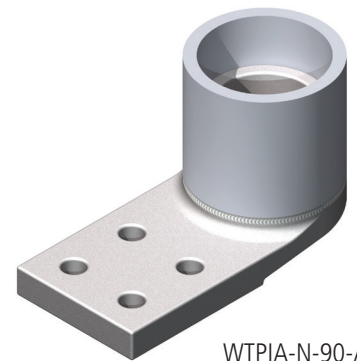
Aluminum

#### Notes

- Add "U" for undrilled
- Add "F" for finished on both sides. EX: WTP75-2NF-AA
- For a 1" SPS pipe to a 3" NEMA pad at 45°, order: WTPIA100-4N-45-AA
- For a 2" SPS pipe to a 4" NEMA pad at 90°, order: WTPIA200-4N4-90-AA
- For a 2" SPS pipe to a 4" NEMA pad finished on both sides, order: WTPI200-4N4F-AA
- For a 1" SPS pipe to a 4" pad undrilled order: WTPI100-4N4U-AA



WTPI-N-AA



WTPIA-N-90-AA



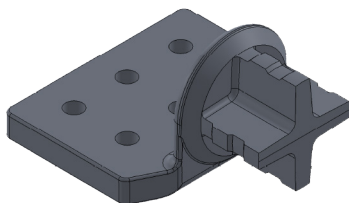
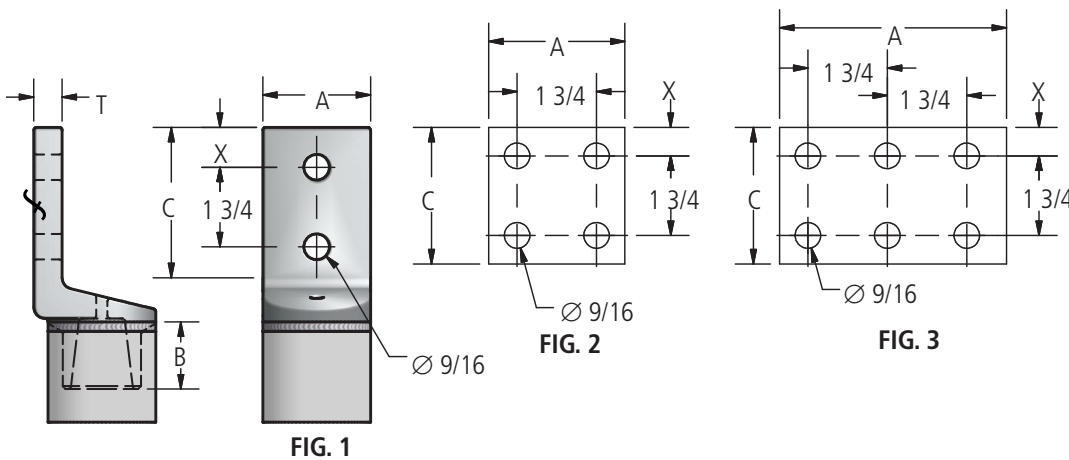
WTPI-N-AA



WTPIA-N-45-AA



WTPIA-N-90-AA



CROSS DESIGN





## DOSSERT®

### TYPE WTPI-N-AA, WTPIA-N-45-AA, WTPIA-N-90-AA

#### Internal Welded Terminal

#### Ordering Information

CATALOG NUMBER		SPS	FIG NUMBER	DIMENSIONS IN INCHES				
SCH 40	SCH 80			A	B	C	T	X
WTPI75-2N-AA	WTPI75E-2N-AA	3/4	1	1-1/2	3/4	3	3/8	5/8
WTPI100-2N-AA	WTPI100E-2N-AA	1	1	1-1/2	3/4	3	3/8	5/8
WTPI100-4N-AA	WTPI100E-4N-AA	1	2	3	3/4	3	3/8	5/8
WTPI100-4N4-AA	WTPI100E-4N4-AA	1	2	4	3/4	4	3/8	1-1/8
WTPI150-2N-AA	WTPI150E-2N-AA	1-1/2	1	2	1	3	1/2	5/8
WTPI150-4N-AA	WTPI150E-4N-AA	1-1/2	2	3	1	3	1/2	5/8
WTPI150-4N4-AA	WTPI150E-4N4-AA	1-1/2	2	4	1	4	1/2	1-1/8
WTPI200-2N-AA	WTPI200E-2N-AA	2	1	2	1-1/4	3	5/8	5/8
WTPI200-4N-AA	WTPI200E-4N-AA	2	2	3	1-1/4	3	5/8	5/8
WTPI200-4N4-AA	WTPI200E-4N4-AA	2	2	4	1-1/4	4	5/8	1-1/8
WTPI200-6N4-AA*	WTPI200E-6N4-AA*	2	3	6	2	4	5/8	1-1/8
WTPI250-2N-AA	WTPI250E-2N-AA	2-1/2	1	2	1-1/2	3	5/8	5/8
WTPI250-4N-AA	WTPI250E-4N-AA	2-1/2	2	3	1-1/2	3	5/8	5/8
WTPI250-4N4-AA	WTPI250E-4N4-AA	2-1/2	2	4	1-1/2	4	5/8	1-1/8
WTPI300-2N-AA	WTPI300E-2N-AA	3	1	2	1-3/4	3	5/8	5/8
WTPI300-4N-AA	WTPI300E-4N-AA	3	2	3	1-3/4	3	3/4	5/8
WTPI300-4N4-AA	WTPI300E-4N4-AA	3	2	4	1-3/4	4	5/8	1-1/8
WTPI300-6N4-AA*	WTPI300E-6N4-AA*	3	3	6	2	4	3/4	1-1/8
WTPI350-4N-AA	WTPI350E-4N-AA	3-1/2	2	3	2	3	3/4	5/8
WTPI350-4N4-AA*	WTPI350E-4N4-AA*	3-1/2	2	4	2	4	3/4	1-1/8
WTPI400-6N4-AA	WTPI400E-6N4-AA	4	3	6	2-1/4	4	3/4	1-1/8
WTPI400-4N-AA	WTPI400E-4N-AA	4	2	3	2-1/4	3	3/4	5/8
WTPI400-4N4-AA	WTPI400E-4N4-AA	4	2	4	2-1/4	4	3/4	1-1/8
WTPI500-4N-AA	WTPI500E-4N-AA	5	2	3	2-7/8	3	7/8	5/8
WTPI500-4N4-AA	WTPI500E-4N4-AA	5	2	4	2-7/8	4	7/8	1-1/8
WTPI600-4N-AA	WTPI600E-4N-AA	6	2	3	3-3/8	3	1	5/8
WTPI600-4N4-AA	WTPI600E-4N4-AA	6	2	4	3-3/8	4	1	1-1/8

\* Cross Design

## DOSSERT®

### TYPE WTPIC-N-AA

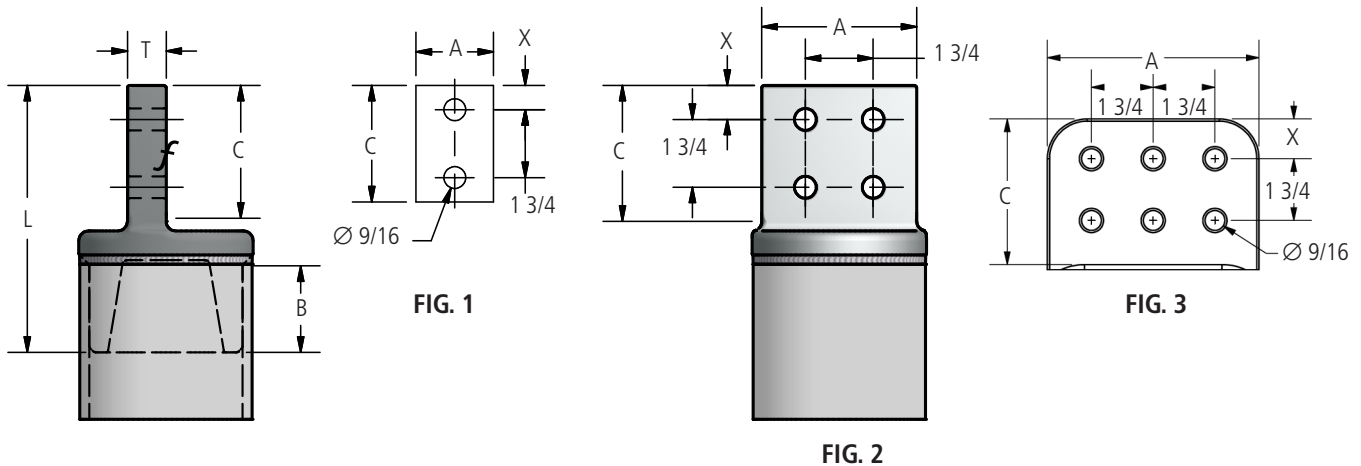
#### Internal Center Formed Welded Terminal

#### Material

Aluminum Alloy

#### Notes

1. Add "U" for undrilled. EX: WTPIC100-2NU-AA
2. Add "F" for finished on both sides. EX: WTPIC100-2NF-AA



#### Ordering Information

CATALOG NUMBER		SPS	FIG. NO.	DIMENSIONS IN INCHES					
SCH 40	SCH 80			A	B	C	L	T	X
WTPIC100-2N-AA	WTPIC100E-2N-AA	1	1	2	3/4	3	4 1/4	3/8	5/8
WTPIC100-4N-AA	WTPIC100E-4N-AA	1	2	3	3/4	3	4 1/4	3/8	5/8
WTPIC150-2N-AA	WTPIC150E-2N-AA	1-1/2	2	2	1	3	4 1/2	1/2	5/8
WTPIC150-4N-AA	WTPIC150E-4N-AA	1-1/2	1	3	1	3	4 1/2	1/2	5/8
WTPIC200-2N-AA	WTPIC200E-2N-AA	2	2	2	1 1/4	3	5 1/4	5/8	5/8
WTPIC200-4N4-AA	WTPIC200E-4N4-AA	2	1	4	1 1/4	4	6 1/4	5/8	1 1/8
WTPIC200-4N-AA	WTPIC200E-4N-AA	2	2	3	1 1/4	3	5 1/4	5/8	5/8
WTPIC250-2N-AA	WTPIC250E-2N-AA	2-1/2	2	2	1 1/2	3	5 1/2	5/8	5/8
WTPIC250-4N4-AA	WTPIC250E-4N4-AA	2-1/2	1	4	1 1/2	4	6 1/2	5/8	1 1/8
WTPIC250-4N-AA	WTPIC250E-4N-AA	2-1/2	2	3	1 1/2	3	5 1/2	5/8	5/8
WTPIC300-4N4-AA	WTPIC300E-4N4-AA	3	2	4	1 3/4	4	6 3/4	5/8	1 1/8
WTPIC300-4N-AA	WTPIC300E-4N-AA	3	2	3	1 3/4	3	5 3/4	5/8	5/8
WTPIC350-4N4-AA	WTPIC350E-4N4-AA	3-1/2	2	4	2	4	7 1/4	3/4	1 1/8
WTPIC350-4N-AA	WTPIC350E-4N-AA	3-1/2	2	3	2	3	6 1/4	3/4	5/8
WTPIC400-4N4-AA	WTPIC400E-4N4-AA	4	2	4	2 1/4	4	7 1/4	3/4	1 1/8
WTPIC400-4N-AA	WTPIC400E-4N-AA	4	2	3	2 1/4	3	6 1/4	3/4	5/8
WTPIC500-4N4-AA	WTPIC500E-4N4-AA	5	2	4	2 1/2	4	8 1/8	7/8	1 1/8
WTPIC500-4N-AA	WTPIC500E-4N-AA	5	2	3	2 1/2	3	7 1/8	7/8	5/8
WTPIC600-4N4-AA	WTPIC600E-4N4-AA	6	2	4	3 3/8	4	8 3/4	1	1 1/8
WTPIC600-6N4-AA	WTPIC600E-6N4-AA	6	3	6	3 3/8	4	9 7/16	1	1 1/8
WTPIC800-4N4-AA	WTPIC800E-4N4-AA	8	2	4	3 3/8	4	8 3/4	1 1/8	1 1/8

230 kV Al. Welded Bu Supports

## DOSSERT®

### TYPE WTPO-N-AA, WTPOA-N-45-AA, WTPOA-N-90-AA

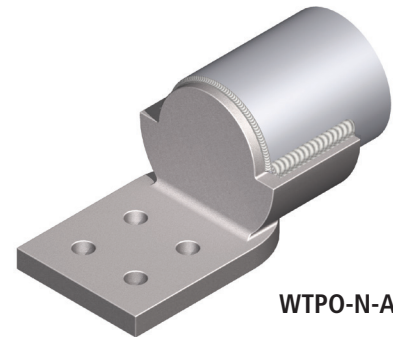
WTPO-N-AA flush half sleeve welded terminal, WTPOA-N-45-AA flush 45° half sleeve welded terminal, and WTPOA-N-90-AA flush 90° half sleeve welded terminal.

#### Material

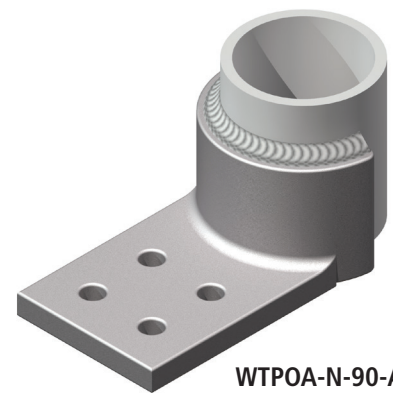
Aluminum Alloy

#### Notes

1. To specify contact finish on top surface of pad in addition to bottom surface add letter "F" to the catalog number. Ex: 2NF - 4NF - 4N4F.
2. For a 45° flush half sleeve terminal, 2" SPS, and 4", 4 hole NEMA pad order: WTPOA200-4N4-45-AA.
3. For a 90° flush half sleeve terminal, 2" SPS, and 4", 4 hole NEMA pad finished on both sides order: WTPOA200-4N4F-90-AA.



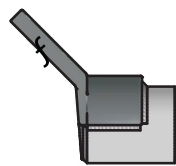
WTPO-N-AA



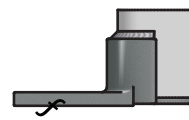
WTPOA-N-90-AA



WTPO-N-AA



WTPOA-N-45-AA



WTPOA-N-90-AA

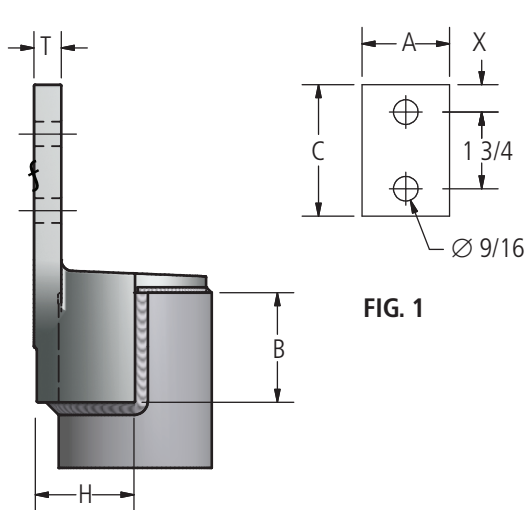


FIG. 1

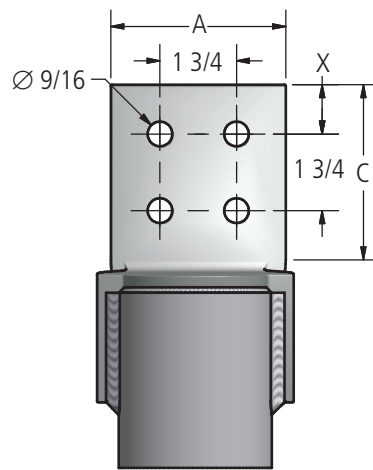


FIG. 2

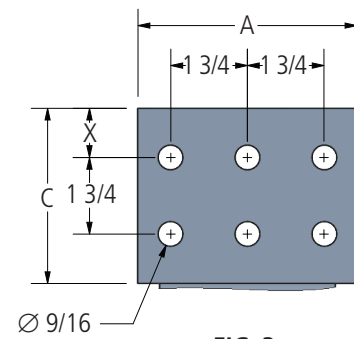


FIG. 3

## DOSSERT®

### TYPE WTPO-N-AA, WTPOA-N-45-AA, WTPOA-N-90-AA

#### Ordering Information

SPS	CATALOG NUMBER	FIGURE NUMBER	ANGLE	DIMENSIONS IN INCHES					
				A	B	C	H	T	X
3/4	WTPO75-2N-AA	1	-	1 5/8	1	3	1	3/8	5/8
3/4	WTPOA75-2N-45-AA	1	45°	1 5/8	1	3	-	3/8	5/8
3/4	WTPOA75-2N-90-AA	1	90°	1 5/8	1	3	-	3/8	5/8
3/4	WTPO75-4N-AA	2	-	3	1	3	1	3/8	5/8
3/4	WTPOA75-4N-45-AA	2	45°	3	1	3	-	3/8	5/8
3/4	WTPOA75-4N-90-AA	2	90°	3	1	3	-	3/8	5/8
1	WTPO100-2N-AA	1	-	1 15/16	1 1/8	3	1 3/16	3/8	5/8
1	WTPOA100-2N-45-AA	1	45°	1 15/16	1 1/8	3	-	3/8	5/8
1	WTPOA100-2N-90-AA	1	90°	1 15/16	1 1/4	3	-	3/8	5/8
1	WTPO100-4N-AA	2	-	3	1 1/8	3	1 3/16	3/8	5/8
1	WTPOA100-4N-45-AA	2	45°	3	1 1/8	3	-	3/8	5/8
1	WTPOA100-4N-90-AA	2	90°	3	1 1/4	3	-	3/8	5/8
1 1/4	WTPO125-2N-AA	1	-	2	1 3/8	3	1 3/8	3/8	5/8
1 1/4	WTPOA125-2N-45-AA	1	45°	2	1 3/8	3	-	3/8	5/8
1 1/4	WTPOA125-2N-90-AA	1	90°	2	1 3/8	3	-	1/2	5/8
1 1/4	WTPO125-4N-AA	2	-	3	1 3/8	3	1 3/8	7/16	5/8
1 1/4	WTPOA125-4N-45-AA	2	45°	3	1 3/8	3	-	7/16	5/8
1 1/4	WTPOA125-4N-90-AA	2	90°	3	1 3/8	3	-	1/2	5/8
1 1/4	WTPOA125-4N4-90-AA	2	90°	4	1 3/8	4	-	1/2	1 1/8
1 1/2	WTPO150-2N-AA	1	-	2	1 5/8	3	1 15/32	7/16	5/8
1 1/2	WTPOA150-2N-45-AA	1	45°	2	1 5/8	3	-	1/2	5/8
1 1/2	WTPOA150-2N-90-AA	1	90°	2	1 5/8	3	-	1/2	5/8
1 1/2	WTPO150-4N-AA	2	-	3	1 5/8	3	1 15/32	1/2	5/8
1 1/2	WTPOA150-4N-45-AA	2	45°	3	1 5/8	3	-	1/2	5/8
1 1/2	WTPOA150-4N-90-AA	2	90°	3	1 5/8	3	-	1/2	5/8
1 1/2	WTPO150-4N4-AA	2	-	4	1 5/8	4	1 15/32	1/2	1 1/8
1 1/2	WTPOA150-4N4-45-AA	2	45°	4	1 5/8	4	-	1/2	1 1/8
1 1/2	WTPOA150-4N4-90-AA	2	90°	4	1 5/8	4	-	1/2	1 1/8
2	WTPO200-2N-AA	1	-	2	1 7/8	3	1 23/32	7/16	5/8
2	WTPOA200-2N-45-AA	1	45°	2	1 7/8	3	-	7/16	5/8
2	WTPOA200-2N-90-AA	1	90°	2	1 7/8	3	-	1/2	5/8
2	WTPO200-4N-AA	2	-	3	1 7/8	3	1 23/32	1/2	5/8
2	WTPOA200-4N-45-AA	2	45°	3	1 7/8	3	-	1/2	5/8
2	WTPOA200-4N-90-AA	2	90°	3	1 7/8	3	-	7/16	5/8
2	WTPO200-4N4-AA	2	-	4	1 7/8	4	1 23/32	1/2	1 1/8
2	WTPOA200-4N4-45-AA	2	45°	4	1 7/8	4	-	1/2	1 1/8
2	WTPOA200-4N4-90-AA	2	90°	4	1 7/8	4	-	7/16	1 1/8
2 1/2	WTPO250-2N-AA	1	-	2	2 1/4	3	1 31/32	5/8	5/8
2 1/2	WTPOA250-2N-45-AA	1	45°	2	2 1/4	3	-	5/8	5/8
2 1/2	WTPOA250-2N-90-AA	1	90°	2	2 1/4	3	-	5/8	5/8
2 1/2	WTPO250-4N-AA	2	-	3	2 1/4	3	1 31/32	5/8	5/8
2 1/2	WTPOA250-4N-45-AA	2	45°	3	2 1/4	3	-	5/8	5/8
2 1/2	WTPOA250-4N-90-AA	2	90°	3	2 1/4	3	-	5/8	5/8
2 1/2	WTPO250-4N4-AA	2	-	4	2 1/4	4	1 31/32	5/8	1 1/8
2 1/2	WTPOA250-4N4-45-AA	2	45°	4	2 1/4	4	-	5/8	1 1/8
2 1/2	WTPOA250-4N4-90-AA	2	90°	4	2 1/4	4	-	5/8	1 1/8
3	WTPO300-2N-AA	1	-	2	2 1/2	3	2 11/32	5/8	5/8
3	WTPOA300-2N-45-AA	1	45°	2	2 1/2	3	-	5/8	5/8
3	WTPOA300-2N-90-AA	1	90°	2	2 1/2	3	-	5/8	5/8



**DOSSERT®**

**TYPE WTPO-N-AA, WTPOA-N-45-AA,  
WTPOA-N-90-AA**

**Ordering Information**

SPS	CATALOG NUMBER	FIGURE NUMBER	ANGLE	DIMENSIONS IN INCHES					
				A	B	C	H	T	X
3	WTPO300-4N-AA	2	-	3	2 1/2	3	2 11/32	5/8	5/8
3	WTPOA300-4N-45-AA	2	45°	3	2 1/2	3	-	5/8	5/8
3	WTPOA300-4N-90-AA	2	90°	3	2 1/2	3	-	5/8	5/8
3	WTPO300-4N4-AA	2	-	4	2 1/2	4	2 11/32	5/8	1 1/8
3	WTPOA300-4N4-45-AA	2	45°	4	2 1/2	4	-	5/8	1 1/8
3	WTPOA300-4N4-90-AA	2	90°	4	2 1/2	4	-	5/8	1 1/8
3 1/2	WTPO350-2N-AA	1	-	2	3	3	2 19/32	3/4	5/8
3 1/2	WTPOA350-2N-45-AA	1	45°	2	3	3	-	3/4	5/8
3 1/2	WTPOA350-2N-90-AA	1	90°	2	3	3	-	3/4	5/8
3 1/2	WTPO350-4N-AA	2	-	3	3	3	2 19/32	3/4	5/8
3 1/2	WTPOA350-4N-45-AA	2	45°	3	3	3	-	3/4	5/8
3 1/2	WTPOA350-4N-90-AA	2	90°	3	3	3	-	3/4	5/8
3 1/2	WTPO350-4N4-AA	2	-	4	3	4	2 19/32	3/4	1 1/8
3 1/2	WTPOA350-4N4-45-AA	2	45°	4	3	4	-	3/4	1 1/8
3 1/2	WTPOA350-4N4-90-AA	2	90°	4	3	4	-	3/4	1 1/8
3 1/2	WTPO350-5N4-AA	3	-	5	3	4	2 19/32	3/4	1 1/8
3 1/2	WTPOA350-5N4-45-AA	3	45°	5	3	4	-	3/4	1 1/8
3 1/2	WTPOA350-5N4-90-AA	3	90°	5	3	4	-	3/4	1 1/8
4	WTPO400-2N-AA	1	-	2	3 1/2	3	2 27/32	3/4	5/8
4	WTPOA400-2N-45-AA	1	45°	2	3 1/2	3	-	3/4	5/8
4	WTPOA400-2N-90-AA	1	90°	2	3 3/4	3	-	3/4	5/8
4	WTPO400-4N-AA	2	-	3	3 1/2	3	2 27/32	3/4	5/8
4	WTPOA400-4N-45-AA	2	45°	3	3 1/2	3	-	3/4	5/8
4	WTPOA400-4N-90-AA	2	90°	3	3 3/4	3	-	3/4	5/8
4	WTPO400-4N4-AA	2	-	4	3 1/2	4	2 27/32	3/4	1 1/8
4	WTPOA400-4N4-45-AA	2	45°	4	3 1/2	4	-	3/4	1 1/8
4	WTPOA400-4N4-90-AA	2	90°	4	3 3/4	4	-	3/4	1 1/8
5	WTPO500-2N-AA	1	-	2	3 1/2	3	3 3/8	3/4	5/8
5	WTPOA500-2N-45-AA	1	45°	2	3 1/2	3	-	3/4	5/8
5	WTPOA500-2N-90-AA	1	90°	2	3 1/2	3	-	3/4	5/8
5	WTPO500-4N-AA	2	-	3	3 1/2	3	3 3/8	3/4	5/8
5	WTPOA500-4N-90-AA	2	90°	3	3 1/2	3	-	7/8	5/8
5	WTPOA500-4N-45-AA	2	45°	3	4	3	-	7/8	5/8
5	WTPO500-4N4-AA	2	-	4	3 1/2	4	3 3/8	3/4	1 1/8
5	WTPOA500-4N4-45-AA	2	45°	4	3 1/2	4	-	3/4	1 1/8
5	WTPOA500-4N4-90-AA	2	90°	4	3 1/2	4	-	7/8	1 1/8
5	WTPO500-6N4-AA	3	-	6	3 1/2	4	3 3/8	3/4	1 1/8
5	WTPOA500-6N4-45-AA	3	45°	6	3 1/2	4	-	3/4	1 1/8
5	WTPOA500-6N4-90-AA	3	90°	6	3 1/2	4	-	3/4	1 1/8
6	WTPO600-4N4-AA	2	-	4	3 5/8	4	3 3/8	1	1 1/8
6	WTPOA600-4N4-45-AA	2	45°	4	3 5/8	4	-	1	1 1/8
6	WTPOA600-4N4-90-AA	2	90°	4	3 5/8	4	-	1	1 1/8

## DOSSERT®

### TYPE WTPOC-AA

#### Welded Terminal Lug

#### Material

Aluminum Alloy

#### Notes

- Add suffix "F" to the catalog number to add contact finish to both pad surfaces.  
EX: WTPOC200-2NF-AA

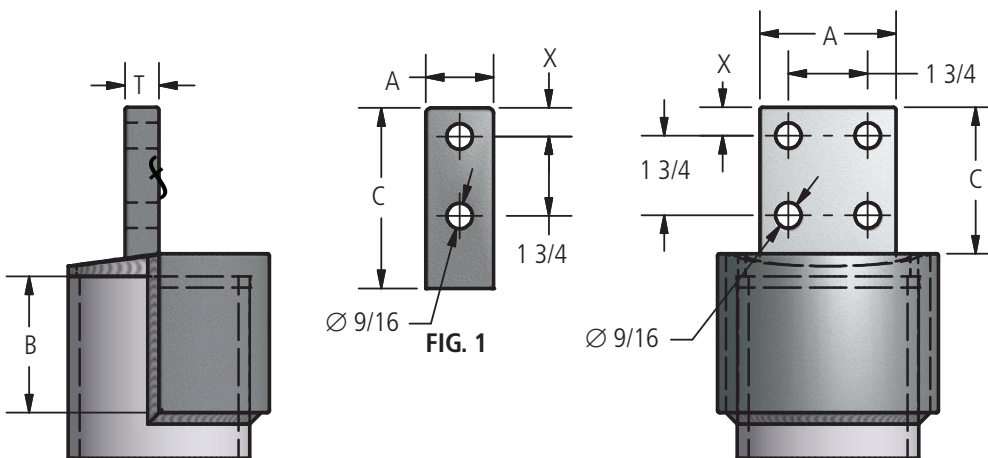
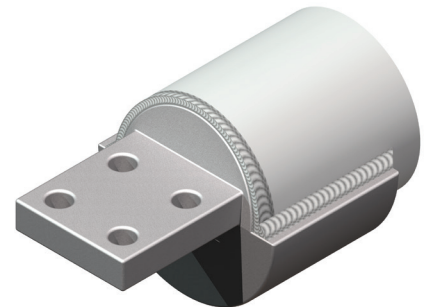


FIG. 2

#### Ordering Information

CATALOG NUMBER	SPS	FIG. NO.	DIMENSIONS IN INCHES				
			A	B	C	T	X
WTPOC100-2N-AA	1	1	2	1 1/8	3	3/8	5/8
WTPOC100-4N-AA	1	2	3	1 1/8	3	3/8	5/8
WTPOC125-2N-AA	1-1/4	1	2	1 3/8	3	3/8	5/8
WTPOC125-4N-AA	1-1/4	2	3	1 3/8	3	3/8	5/8
WTPOC150-2N-AA	1-1/2	1	2	1 5/8	3	1/2	5/8
WTPOC150-4N-AA	1-1/2	2	3	1 5/8	3	3/8	5/8
WTPOC150-4N4-AA	1-1/2	2	4	1 5/8	4	3/8	1 1/8
WTPOC200-2N-AA	2	1	2	1 7/8	3	1/2	5/8
WTPOC200-4N-AA	2	2	3	1 7/8	3	1/2	5/8
WTPOC200-4N4-AA	2	2	4	1 7/8	4	1/2	1 1/8
WTPOC250-2N-AA	2-1/2	1	2	2 1/4	3	1/2	5/8
WTPOC250-4N-AA	2-1/2	2	3	2 1/4	3	1/2	5/8
WTPOC250-4N4-AA	2-1/2	2	4	2 1/4	4	1/2	1 1/8
WTPOC300-2N-AA	3	1	2	2 1/2	3	5/8	5/8
WTPOC300-4N-AA	3	2	3	2 1/2	3	5/8	5/8
WTPOC300-4N4-AA	3	2	4	2 1/2	4	5/8	1 1/8
WTPOC350-2N-AA	3-1/2	1	2	3	3	3/4	5/8
WTPOC350-4N-AA	3-1/2	2	3	3	3	3/4	5/8
WTPOC350-4N4-AA	3-1/2	2	4	3	4	3/4	1 1/8
WTPOC400-2N-AA	4	1	2	3 1/2	3	3/4	5/8
WTPOC400-4N-AA	4	2	3	3 1/2	3	3/4	5/8
WTPOC400-4N4-AA	4	2	4	3 1/2	4	3/4	1 1/8
WTPOC500-4N-AA	5	2	3	3 1/2	3	7/8	5/8
WTPOC500-4N4-AA	5	2	4	3 1/2	4	3/4	1 1/8
WTPOC600-4N4-AA	6	2	4	3 1/2	4	1	1 1/8
WTPOC800R-4N4-AA	8	2	4	3 1/2	4	1	1 1/8
WTPOC800-4N4-AA	8	2	4	3 1/2	4	1	1 1/8

## DOSSERT®

### TYPE WXL-90V-AA

#### Expansion Terminal Connector

##### Material

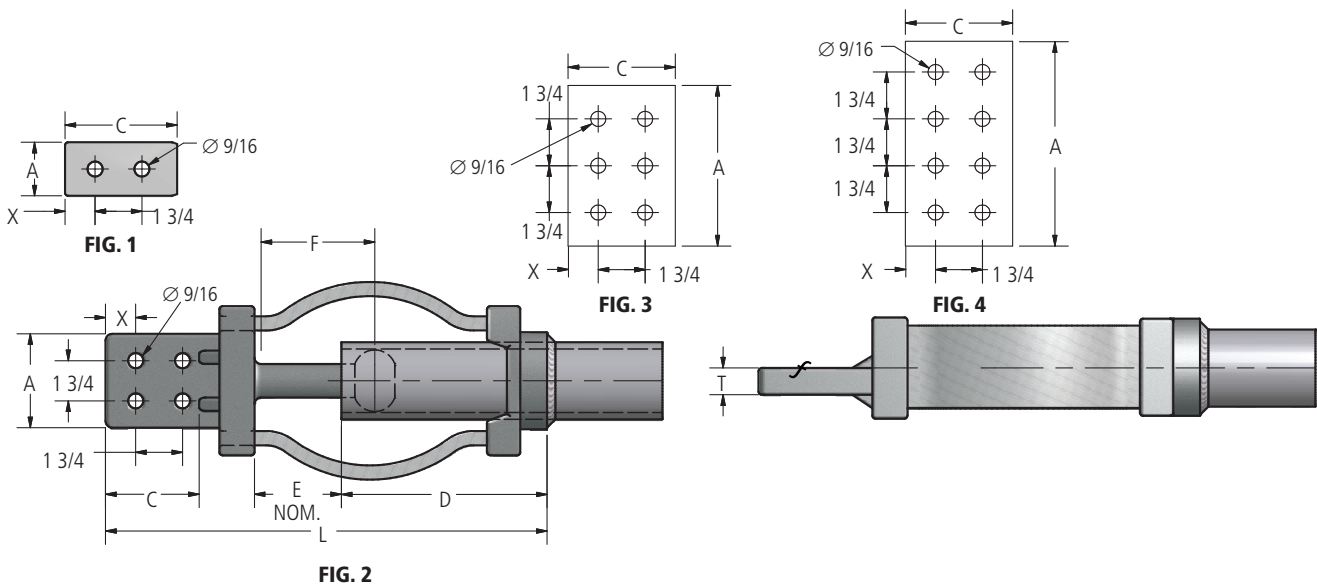
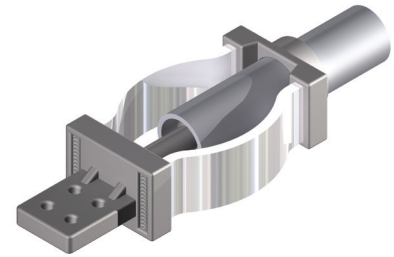
Aluminum Alloy

##### Laminates

Pure Aluminum

##### Notes

- If alignment guide is not needed add "P" to the catalog number. EX: WXL200P-4N4-90V-AA



### Ordering Information

CATALOG NUMBER		SPS	FIG. NO.	DIMENSIONS IN INCHES							
SCH 40	SCH 80			A	C	D	E	F	L	T	X
WXL100-2N-90V-AA	WXL100E-2N-90V-AA	1	1	1-1/2	3	5-1/8	1-1/2	3-1/4	10-5/8	1/2	5/8
WXL100-4N-90V-AA	WXL100E-4N-90V-AA	1	2	3	3	5-1/8	1-1/2	3-1/4	10-5/8	1/2	5/8
WXL100-4N4-90V-AA	WXL100E-4N4-90V-AA	1	2	4	4	5-1/8	1-1/2	3-1/4	12-1/8	1/2	1-1/8
WXL125-2N-90V-AA	WXL125E-2N-90V-AA	1 1/4	1	2 1/4	3	6	1-1/2	3-1/2	11-1/2	1/2	5/8
WXL125-4N-90V-AA	WXL125E-4N-90V-AA	1 1/4	2	3	3	6	1-1/2	3-1/2	11-1/2	1/2	5/8
WXL150-2N-90V-AA	WXL150E-2N-90V-AA	1-1/2	1	2-1/2	3	7-1/8	1-1/2	3-1/2	12-3/4	5/8	5/8
WXL150-4N-90V-AA	WXL150E-4N-90V-AA	1-1/2	2	3	3	7-1/8	1-1/2	3-1/2	12-3/4	5/8	5/8
WXL200-2N-90V-AA	WXL200E-2N-90V-AA	2	1	3	3	7-3/16	2-1/2	4-1/2	14-3/8	3/4	5/8
WXL200-4N-90V-AA	WXL200E-4N-90V-AA	2	2	3	3	7-3/16	2-1/2	4-1/2	14-3/8	3/4	5/8
WXL200-4N4-90V-AA	WXL200E-4N4-90V-AA	2	2	4	4	7-3/16	2-1/2	4-1/2	15-3/8	3/4	1-1/8
WXL250-2N-90V-AA	WXL250E-2N-90V-AA	2-1/2	1	3	3	7-11/16	2-1/2	4-1/2	14-7/8	3/4	5/8
WXL250-4N-90V-AA	WXL250E-4N-90V-AA	2-1/2	2	3	3	7-11/16	2-1/2	4-1/2	14-7/8	3/4	5/8
WXL250-4N4-90V-AA	WXL250E-4N4-90V-AA	2-1/2	2	4	4	7-11/16	2-1/2	4-1/2	15-7/8	3/4	1-1/8
WXL300-2N-90V-AA	WXL300E-2N-90V-AA	3	1	3	3	8-3/16	2-1/2	4-1/2	16	7/8	5/8
WXL300-4N-90V-AA	WXL300E-4N-90V-AA	3	2	3	3	8-3/16	2-1/2	4-1/2	16	7/8	5/8
WXL300-4N4-90V-AA	WXL300E-4N4-90V-AA	3	2	4	4	8-3/16	2-1/2	4-1/2	17	7/8	1-1/8

continued  
→





# 230 kV Aluminum Welded Terminal Connectors

## DOSSERT®

### TYPE WXL-90V-AA

Expansion Terminal Connector

#### Ordering Information (cont.)

CATALOG NUMBER		SPS	FIG. NO.	DIMENSIONS IN INCHES							
SCH 40	SCH 80			A	C	D	E	F	L	T	X
WXL350-2N-90V-AA	WXL350E-2N-90V-AA	3-1/2	1	3	3	9-3/4	2-1/2	4-1/2	17-5/16	7/8	5/8
WXL350-4N-90V-AA	WXL350E-4N-90V-AA	3-1/2	2	3	3	9-3/4	2-1/2	4-1/2	17-5/16	7/8	5/8
WXL350-4N4-90V-AA	WXL350E-4N4-90V-AA	3-1/2	2	4	4	9-3/4	2-1/2	4-1/2	18-5/16	7/8	1-1/8
WXL350-6N4-90V-AA	WXL350E-6N4-90V-AA	3-1/2	3	6	4	9 3/4	2 1/2	4 1/2	18 5/16	3/4	1 1/8
WXL400-2N-90V-AA	WXL400E-2N-90V-AA	4	1	3	3	10	2-1/2	4-1/2	18	1	5/8
WXL400-4N-90V-AA	WXL400E-4N-90V-AA	4	2	3	3	10	2-1/2	4-1/2	18	1	5/8
WXL400-4N4-90V-AA	WXL400E-4N4-90V-AA	4	2	4	4	10	2-1/2	4-1/2	19	1	1-1/8
WXL400-6N4-90V-AA	WXL400E-6N4-90V-AA	4	3	6	4-1/2	10	2-1/2	4-1/2	16-1/2	3/4	1-1/8
WXL500-4N-90V-AA	WXL500E-4N-90V-AA	5	2	3	3	10	2-1/2	4-1/2	18	1-1/4	5/8
WXL500-4N4-90V-AA	WXL500E-4N4-90V-AA	5	2	4	4	10	2-1/2	4-1/2	19	1-1/4	1-1/8
WXL500-6N4-90V-AA	WXL500E-6N4-90V-AA	5	3	6	4	10	2-1/2	4-1/2	19	1-1/4	1-1/8
WXL600-4N-90V-AA	WXL600E-4N-90V-AA	6	2	3	3	12	2-1/2	4-1/2	20-3/8	1-3/8	5/8
WXL600-4N4-90V-AA	WXL600E-4N4-90V-AA	6	2	4	4	12	2-1/2	4-1/2	21-3/8	1-3/8	1-1/8
WXL600-6N4-90V-AA	WXL600E-6N4-90V-AA	6	3	6	4	12	2-1/2	4-1/2	21-3/8	1	1-1/8
WXL600-8N4-90V-AA	WXL600E-8N4-90V-AA	6	4	8	4	12	2 1/2	4 1/2	21 3/8	1	1 1/8

## DOSSERT<sup>®</sup> TYPE WXL-AA, WXL-E-AA Expansion Terminal Connector

### Material

Aluminum Alloy

### Notes

- Add "P" to suffix of WXL for no alignment guide. EX: WXLP200-4N-AA
- Add "F" to suffix of pad type for contact finish on both sides of the pad. EX: WXL200-4NF-AA

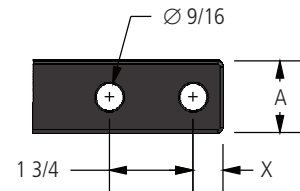
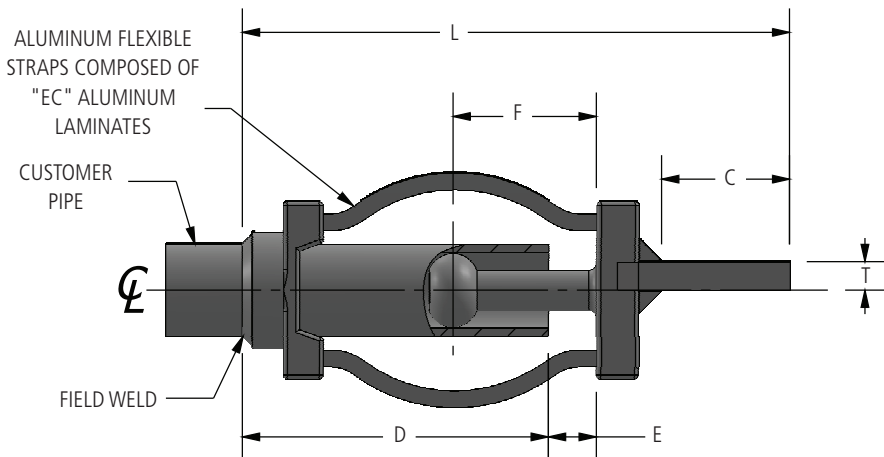
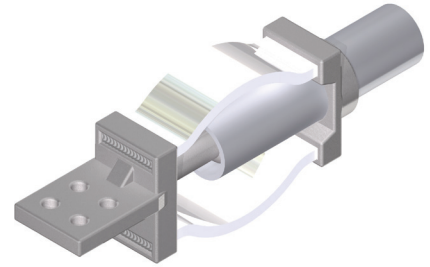


FIG. 1

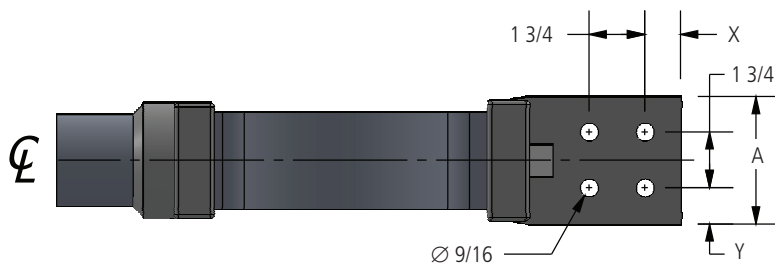


FIG. 2

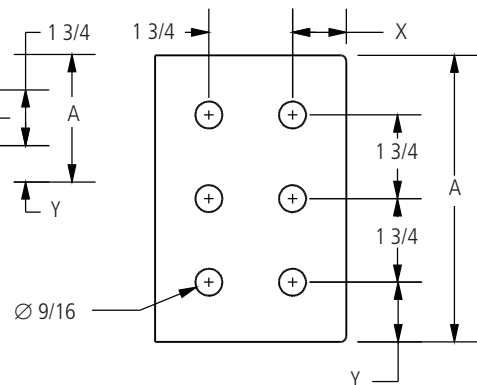


FIG. 3



# 230 kV Aluminum Welded Terminal Connectors

**DOSSERT®**

**TYPE WXL-AA, WXL-E-AA**  
Expansion Terminal Connector

## Ordering Information

CATALOG NUMBER		SPS	FIG. NO.	DIMENSIONS IN INCHES								
SCH 40	SCH 80			A	C	D	E	F	L	T	Y	X
WXL100-2N-AA	WXL100E-2N-AA	1	1	1-3/4	3	5-1/8	1-1/2	3-1/2	10-5/8	1/2	NA	5/8
WXL100-4N-AA	WXL100E-4N-AA	1	2	3	3	5-1/8	1-1/2	3-1/2	10-5/8	1/2	5/8	5/8
WXL125-2N-AA	WXL125E-2N-AA	1-1/4	1	2-1/4	3	6	1-1/2	3-1/2	11-1/2	1/2	NA	5/8
WXL125-4N-AA	WXL125E-4N-AA	1-1/4	2	3	3	6	1-1/2	3-1/2	11-1/2	1/2	5/8	5/8
WXL125-4N4-AA	WXL125E-4N4-AA	1-1/4	2	4	4	6	1-1/2	3-1/2	11-1/2	1/2	1-1/8	1-1/8
WXL150-2N-AA	WXL150E-2N-AA	1-1/2	1	2-1/2	3	7-1/8	1-1/2	3-1/2	12-3/4	5/8	5/8	5/8
WXL150-4N-AA	WXL150E-4N-AA	1-1/2	2	3	3	7-1/8	1-1/2	3-1/2	12-3/4	5/8	5/8	5/8
WXL150-4N4-AA	WXL150E-4N4-AA	1-1/2	2	3	3	7-1/8	1-1/2	3-1/2	12-3/4	5/8	5/8	5/8
WXL200-2N-AA	WXL200E-2N-AA	2	1	3	3	7-3/16	2-1/2	4-1/2	14-3/8	3/4	NA	5/8
WXL200-4N-AA	WXL200E-4N-AA	2	2	3	3	7-3/16	2-1/2	4-1/2	14-3/8	3/4	5/8	5/8
WXL200-4N4-AA	WXL200E-4N4-AA	2	2	4	4	7-3/16	2-1/2	4-1/2	14-3/8	3/4	1-1/8	1-1/8
WXL200-6N4-AA	WXL200E-6N4-AA	2	3	6	4	7-3/16	2-1/2	4-1/2	14-3/8	3/4	1-1/4	1-1/8
WXL250-2N-AA	WXL250E-2N-AA	2-1/2	1	3	3	7-11/16	2-1/2	4-1/2	14-7/8	3/4	NA	5/8
WXL250-4N-AA	WXL250E-4N-AA	2-1/2	2	3	3	7-11/16	2-1/2	4-1/2	14-7/8	3/4	5/8	5/8
WXL250-4N4-AA	WXL250E-4N4-AA	2-1/2	2	4	4	7-11/16	2-1/2	4-1/2	15-7/8	3/4	1-1/8	1-1/8
WXL300-2N-AA	WXL300E-2N-AA	3	1	3	3	8-3/16	2-1/2	4-1/2	16	7/8	NA	5/8
WXL300-4N-AA	WXL300E-4N-AA	3	2	3	3	8-3/16	2-1/2	4-1/2	16	7/8	5/8	5/8
WXL300-4N4-AA	WXL300E-4N4-AA	3	2	4	4	8-3/16	2-1/2	4-1/2	17	7/8	1-1/8	1-1/8
WXL300-6N4-AA	WXL300E-6N4-AA	3	3	6	4	8-3/16	2-1/2	4-1/2	17	7/8	1-1/8	1-1/8
WXL350-2N-AA	WXL350E-2N-AA	3-1/2	1	3	3	9-3/4	2-1/2	4-1/2	17-5/16	7/8	NA	5/8
WXL350-4N-AA	WXL350E-4N-AA	3-1/2	2	3	4-1/4	9-3/4	2-1/2	4-1/2	18-9/16	13/16	5/8	5/8
WXL350-4N4-AA	WXL350E-4N4-AA	3-1/2	2	4	4	9-3/4	2-1/2	4-1/2	18-5/16	7/8	1-1/8	1-1/8
WXL400-2N-AA	WXL400E-2N-AA	4	1	3	3	10	2-1/2	4-1/2	18	1	NA	5/8
WXL400-4N-AA	WXL400E-4N-AA	4	2	3	3	10	2-1/2	4-1/2	18	1	5/8	5/8
WXL400-4N4-AA	WXL400E-4N4-AA	4	2	4	4	10	2-1/2	4-1/2	19	1	1-1/8	1-1/8
WXL400-6N4-AA	WXL400E-6N4-AA	4	3	6	4	10	2-1/2	5-9/16	19-1/4	1	1-1/4	1-1/8
WXL500-4N-AA	WXL500E-4N-AA	5	2	3	3	10	2-1/2	4-1/2	18	1-1/4	5/8	5/8
WXL500-4N4-AA	WXL500E-4N4-AA	5	2	4	4	10	2-1/2	4-1/2	19	1-1/4	1-1/8	1-1/8
WXL500-6N4-AA	WXL500E-6N4-AA	5	3	6	4	10	2-1/2	5-5/8	19	1	1-1/4	1-1/8
WXL600-4N-AA	WXL600E-4N-AA	6	2	3	3	12	2-1/2	4-1/2	20-3/8	1-3/8	5/8	5/8
WXL600-4N4-AA	WXL600E-4N4-AA	6	2	4	4	12	2-1/2	4-1/2	21-3/8	1-3/8	1-1/8	1-1/8
WXL600-6N4-AA	WXL600E-6N4-AA	6	3	6	4	12	2-1/2	4-1/2	21-3/8	1-3/8	1-1/4	1-1/8
WXL800-4N4-AA	WXL800E-4N4-AA	8	2	4	4	15	2-1/2	4-1/2	24-3/8	1-3/8	1-1/8	1-1/8
WXL800-6N4-AA	WXL800E-6N4-AA	8	3	6	4	15	2-1/2	4-1/2	24-3/8	1-3/8	1-1/4	1-1/8

## DOSSERT®

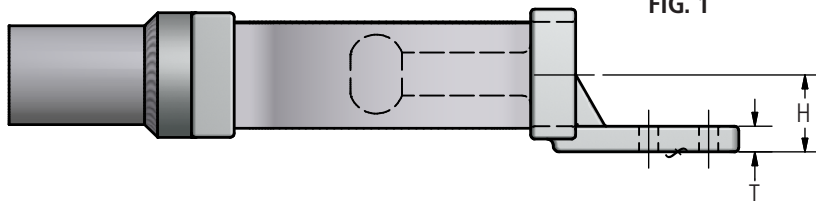
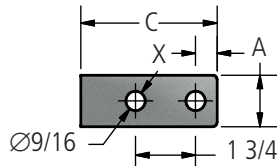
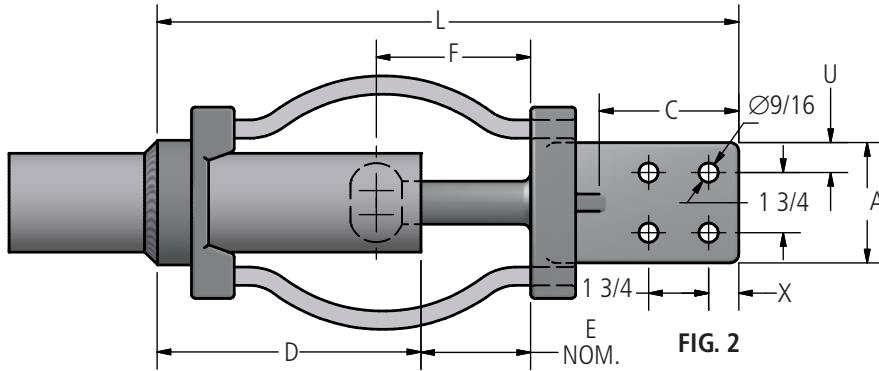
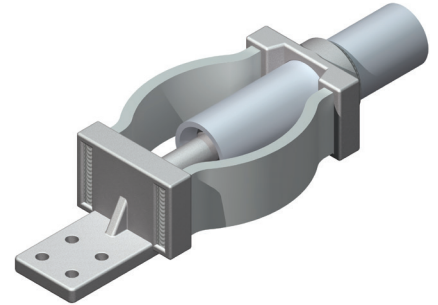
### TYPE WXLO-AA, WXLO-E-AA Expansion Terminal Connector

#### Material

Aluminum Alloy

#### Note

1. Add "P" to suffix of WXLO for no alignment guide. EX: WXLOP300-4N-AA
2. Add "F" to suffix of pad type for contact finish on both sides of the pad. EX: WXLO300-4NF-AA





# 230 kV Aluminum Welded Terminal Connectors

**DOSSERT®**

**TYPE WXLO-AA, WXLO-E-AA**

## Ordering Information

CATALOG NUMBER		PIPE SIZE	FIG. NO.	DIMENSIONS IN INCHES									
SCH 40	SCH 80			A	C	D	E	F	H	L	T	U	X
WXLO100-2N-AA	WXLO100E-2N-AA	1	1	1 3/4	3	5 1/8	1 1/2	3 1/2	1 1/8	10 5/8	5/8	N/A	5/8
WXLO100-4N-AA	WXLO100E-4N-AA	1	2	3	3	5 1/8	1 1/2	3 1/2	1 5/16	10 5/8	1/2	5/8	5/8
WXLO125-2N-AA	WXLO125E-2N-AA	1 1/4	1	2 1/4	3	6	1 1/2	3 1/2	1 5/16	11 1/2	1/2	N/A	5/8
WXLO125-4N-AA	WXLO125E-4N-AA	1 1/4	2	3	3	6	1 1/2	3 1/2	1 5/16	11 1/2	1/2	5/8	5/8
WXLO125-4N4-AA	WXLO125E-4N4-AA	1 1/4	2	4	4	6	1 1/2	3 1/2	1 5/8	12 3/4	1/2	1 1/8	1 1/8
WXLO150-2N-AA	WXLO150E-2N-AA	1 1/2	1	2 1/2	3	7 1/8	1 1/2	3 1/2	1 5/8	12 3/4	5/8	N/A	5/8
WXLO150-4N-AA	WXLO150E-4N-AA	1 1/2	2	3	3	7 1/8	1 1/2	3 1/2	1 5/8	12 3/4	5/8	5/8	5/8
WXLO200-2N-AA	WXLO200E-2N-AA	2	1	2	3	7 3/16	2 1/2	4 1/2	2	14 3/8	3/4	N/A	5/8
WXLO200-4N-AA	WXLO200E-4N-AA	2	2	3	3	7 3/16	2 1/2	4 1/2	2	14 3/8	3/4	3/4	7/8
WXLO200-4N4-AA	WXLO200E-4N4-AA	2	2	4	4	7 3/16	2 1/2	4 1/2	2	15 3/8	3/4	1 1/8	1 1/8
WXLO250-4N-AA	WXLO250E-4N-AA	2 1/2	2	3	3	7 11/16	2 1/2	4 1/2	2 1/4	14 7/8	3/4	1 1/4	1 1/4
WXLO250-4N4-AA	WXLO250E-4N4-AA	2 1/2	2	4	4	7 11/16	2 1/2	4 1/2	2 1/4	15 7/8	3/4	1 1/8	1 1/8
WXLO300-4N-AA	WXLO300E-4N-AA	3	2	3	3	8 3/16	2 1/2	4 1/2	2 5/8	16	7/8	5/8	5/8
WXLO300-4N4-AA	WXLO300E-4N4-AA	3	2	4	4	8 3/16	2 1/2	4 1/2	2 5/8	17	7/8	1 1/8	1 1/8
WXLO350-4N-AA	WXLO350E-4N-AA	3 1/2	2	3	3	9 3/4	2 1/2	4 1/2	2 15/16	17 5/16	7/8	5/8	5/8
WXLO350-4N4-AA	WXLO350E-4N4-AA	3 1/2	2	4	4	9 3/4	2 1/2	4 1/2	2 15/16	18 5/16	7/8	1 1/8	1 1/8
WXLO400-4N-AA	WXLO400E-4N-AA	4	2	3	3	10	2 1/2	4 1/2	3 1/4	18	1	5/8	5/8
WXLO400-4N4-AA	WXLO400E-4N4-AA	4	2	4	4	10	2 1/2	4 1/2	3 1/4	19	1	1 1/8	1 1/8
WXLO500-4N-AA	WXLO500E-4N-AA	5	2	3	3	10	2 1/2	4 1/2	3 1/2	18	1 1/4	5/8	5/8
WXLO500-4N4-AA	WXLO500E-4N4-AA	5	2	4	4	10	2 1/2	4 1/2	3 1/2	19	1 1/4	1 1/8	1 1/8
WXLO600-4N-AA	WXLO600E-4N-AA	6	2	3	3	12	2 1/2	4 1/2	4 1/4	20 3/8	1 3/8	5/8	5/8
WXLO600-4N4-AA	WXLO600E-4N4-AA	6	2	4	4	12	2 1/2	4 1/2	4 1/4	21 3/8	1 3/8	1 1/8	1 1/8

230 kV Aluminum Welded