

## DOSSERT® TYPE HPS-AA, HPS-CH-AA

HPS is a horizontal support for a rigid fit and the HPS-CH is a for a horizontal support for a slip fit.

### Material

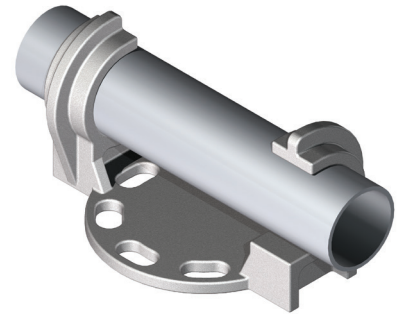
Aluminum Alloy

### Hardware

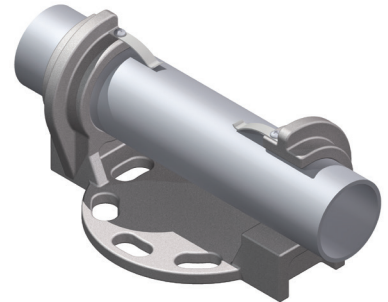
Galvanized steel hardware supplied for base mounting.

### Notes

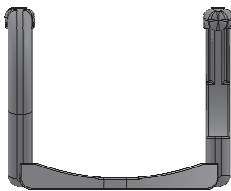
- For Slip Bus Support, add suffix "-CH" to catalog number.  
Ex: HPS100-3B-CH-AA.
- For base mounting dimensions and hardware, see page 3 in the general catalog index of AFL's Substation catalog.



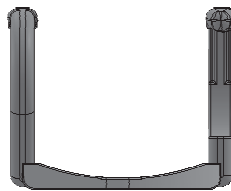
HPS-AA



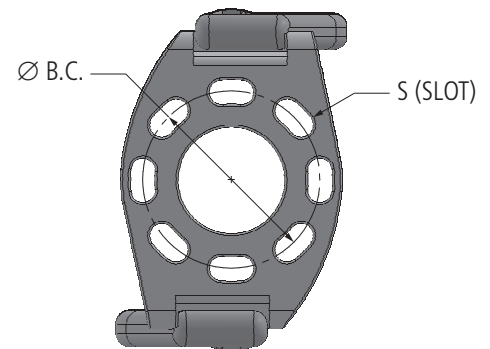
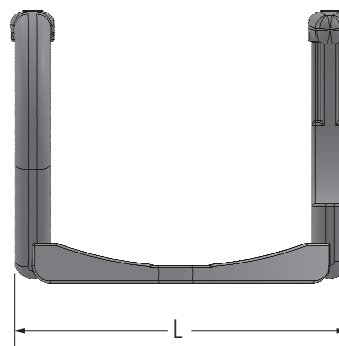
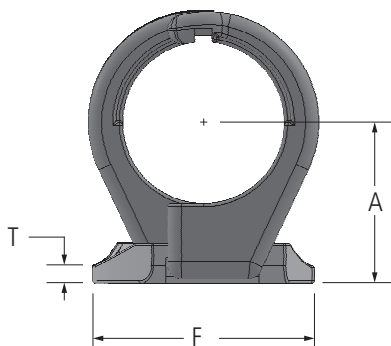
HPS-CH-AA



HPS-AA



HPS-CH-AA



*continued*  
→



# 230 kV Aluminum Welded Bus Supports

## DOSSERT® TYPE HPS-AA, HPS-CH-AA Ordering Information

CATALOG NUMBER		SPS	DIMENSIONS IN INCHES					
STANDARD	WITH CHATTER SPRING		A	B.C.	F	L	S	T
HPS100-3-AA	HPS100-3-CH-AA	1	2	3	4 1/4	5 3/4	9/16	3/8
HPS100-5-AA	HPS100-5-CH-AA	1	2	5	6 1/4	8	11/16	3/8
HPS125-3-AA	HPS125-3-CH-AA	1 1/4	2 1/4	3	4 1/4	5 3/4	9/16	3/8
HPS125-5-AA	HPS125-5-CH-AA	1 1/4	2 3/8	5	6 1/4	8	11/16	3/8
HPS150-3-AA	HPS150-3-CH-AA	1 1/2	2 1/2	3	4 1/4	5 3/4	9/16	3/8
HPS150-5-AA	HPS150-5-CH-AA	1 1/2	2 1/2	5	6 1/4	8 1/2	11/16	3/8
HPS200-3-AA	HPS200-3-CH-AA	2	2 3/4	3	4 1/4	6 1/4	9/16	3/8
HPS200-5-AA	HPS200-5-CH-AA	2	2 3/4	5	6 1/4	8 1/2	11/16	3/8
HPS250-3-AA	HPS250-3-CH-AA	2 1/2	3 1/8	3	4 1/4	6 5/8	9/16	3/8
HPS250-5-AA	HPS250-5-CH-AA	2 1/2	3 1/8	5	6 1/4	8 7/8	11/16	3/8
HPS300-3-AA	HPS300-3-CH-AA	3	3 5/8	3	4 1/4	6 5/8	9/16	3/8
HPS300-5-AA	HPS300-5-CH-AA	3	3 5/8	5	6 1/4	8 7/8	11/16	3/8
HPS350-3-AA	HPS350-3-CH-AA	3 1/2	4	3	4 1/4	7 1/4	9/16	7/16
HPS350-5-AA	HPS350-5-CH-AA	3 1/2	4	5	6 1/4	9 1/2	11/16	7/16
HPS400-3-AA	HPS400-3-CH-AA	4	4 1/2	3	4 1/4	7 5/8	9/16	1/2
HPS400-5-AA	HPS400-5-CH-AA	4	4 1/2	5	6 1/4	9 3/8	11/16	1/2
HPS400-7-AA	HPS400-7-CH-AA	4	4 1/2	7	8 1/2	11 7/8	13/16	1/2
HPS500-3-AA	HPS500-3-CH-AA	5	5	3	4 1/4	8 1/4	9/16	1/2
HPS500-5-AA	HPS500-5-CH-AA	5	5	5	6 1/4	10	11/16	1/2
HPS500-7-AA	HPS500-7-CH-AA	5	5	7	8 1/2	11 7/8	13/16	1/2
*HPS600-3-AA	HPS600-3-CH-AA	6	5 1/2	3	4 1/4	8 1/8	9/16	1/2
HPS600-5-AA	HPS600-5-CH-AA	6	5 1/2	5	6 1/4	10	11/16	1/2
HPS600-7-AA	HPS600-7-CH-AA	6	5 1/2	7	8 1/2	12 1/4	13/16	1/2
*HPS800-3-AA	HPS800-3-CH-AA	8	6 1/2	3	4 1/4	9 3/4	9/16	1/2
*HPS800-5-AA	HPS800-5-CH-AA	8	6 1/2	5	6 1/4	11	11/16	1/2
HPS800-7-AA	HPS800-7-CH-AA	8	6 7/8	7	8 1/2	12 1/4	13/16	1/2

\* Denotes this size will not install rotated 90 degrees from bus pipe.

230 kV Al. Welded Bu Supports

## DOSSERT® TYPE PLHS-AA, PLHS-CH-AA

### Slip or Fixed Bus Support

Can be used as a slip or fixed bus support or fixed support by being welded into position.

#### Material

Aluminum Alloy

#### Hardware

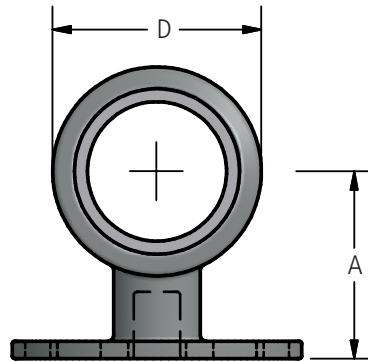
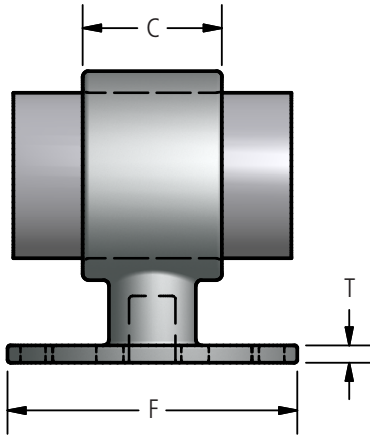
Galvanized steel hardware supplied for base mounting.

#### Notes

1. For base mounting dimensions and hardware see page 3 in the general catalog index.



**PLHS-AA**



### Ordering Information

CATALOG NUMBER		SPS	BOLT CIRCLE	DIMENSIONS IN INCHES				
STANDARD	WITH CHATTER SPRING			A	C	D	T	F
PLHS75-3-AA	PLHS75-3-CH-AA	3/4	3	2	1-1/4	1-9/16	3/8	4-1/4
PLHS75-5-AA	PLHS75-5-CH-AA	3/4	5	2-1/4	1-1/4	1-9/16	3/8	6-1/4
PLHS100-3-AA	PLHS100-3-CH-AA	1	3	2	1-1/4	1-7/8	3/8	4-1/4
PLHS100-5-AA	PLHS100-5-CH-AA	1	5	2-1/4	1-1/4	1-7/8	3/8	6-1/4
PLHS125-3-AA	PLHS125-3-CH-AA	1-1/4	3	2-1/4	1-1/2	2-1/4	3/8	4-1/4
PLHS125-5-AA	PLHS125-5-CH-AA	1-1/4	5	2-3/8	1-1/2	2-1/4	3/8	6-1/4
PLHS150-3-AA	PLHS150-3-CH-AA	1-1/2	3	2-1/2	1-1/2	2-5/8	3/8	4-1/4
PLHS150-5-AA	PLHS150-5-CH-AA	1-1/2	5	2-1/2	1-1/2	2-5/8	3/8	6-1/4
PLHS200-3-AA	PLHS200-3-CH-AA	2	3	2-3/4	2	3-1/4	3/8	4-1/4
PLHS200-5-AA	PLHS200-5-CH-AA	2	5	2-3/4	2	3-1/4	3/8	6-1/4
PLHS250-3-AA	PLHS250-3-CH-AA	2-1/2	3	3-1/8	2	3-11/16	3/8	4-1/4
PLHS250-5-AA	PLHS250-5-CH-AA	2-1/2	5	3-1/8	2	3-11/16	3/8	6-1/4
PLHS300-3-AA	PLHS300-3-CH-AA	3	3	3-5/8	2-1/2	4-1/2	3/8	4-1/4
PLHS300-5-AA	PLHS300-5-CH-AA	3	5	3-5/8	3	4-1/2	7/16	6-1/4
PLHS350-3-AA	PLHS350-3-CH-AA	3-1/2	3	4	3	5	7/16	4-1/4
PLHS350-5-AA	PLHS350-5-CH-AA	3-1/2	5	4	3	5	7/16	6-1/4
PLHS400-3-AA	PLHS400-3-CH-AA	4	3	4-1/2	3	5-9/16	3/8	4-1/4
PLHS400-5-AA	PLHS400-5-CH-AA	4	5	4-1/2	3	5-1/2	7/16	6-1/4
PLHS450-3-AA	PLHS450-3-CH-AA	4-1/2	3	4-3/4	3	6	7/16	4-1/4
PLHS450-5-AA	PLHS450-5-CH-AA	4-1/2	5	4-3/4	3	6	7/16	6-1/4
PLHS500-3-AA	PLHS500-3-CH-AA	5	3	5	3	6-9/16	7/16	4-1/4
PLHS500-5-AA	PLHS500-5-CH-AA	5	5	5	3	6-9/16	7/16	6-1/4
PLHS600-3-AA	PLHS600-3-CH-AA	6	3	5-1/2	4	7-5/8	7/16	4-1/4
PLHS600-5-AA	PLHS600-5-CH-AA	6	5	5-1/2	4	7-5/8	7/16	6-1/4

## DOSSERT®

### TYPE PLHSO-AA

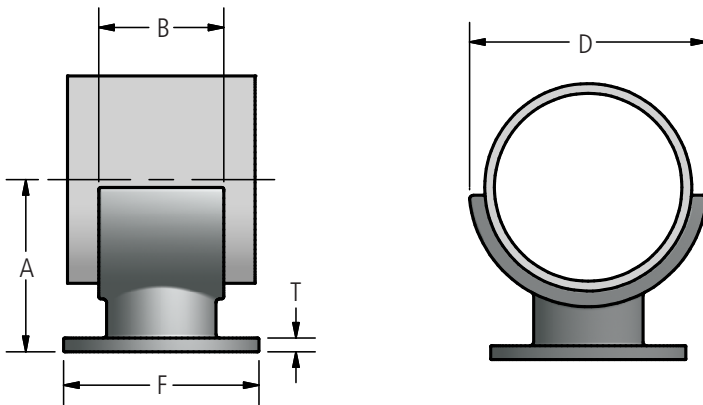
Bus Support for Pipes, Slip or Fixed

#### Material

Aluminum Alloy

#### Hardware

Galvanized steel hardware supplied for base mounting.



### Ordering Information

CATALOG NUMBER	SPS	BOLT CIRCLE	DIMENSIONS IN INCHES				
			A	B	D	F	T
PLHSO75-3-AA	3/4	3	2	1-1/4	1-9/16	4-1/4	3/8
PLHSO75-5-AA	3/4	5	2-1/4	1-1/4	1-9/16	6-1/4	3/8
PLHSO100-3-AA	1	3	2	1-1/4	1-7/8	4-1/4	3/8
PLHSO100-5-AA	1	5	2-1/4	1-1/4	1-7/8	6-1/4	3/8
PLHSO125-3-AA	1-1/4	3	2-1/4	1-1/2	2-1/4	4-1/4	3/8
PLHSO125-5-AA	1-1/4	5	2-3/8	1-1/2	2-1/4	6-1/4	3/8
PLHSO150-3-AA	1-1/2	3	2-1/2	1-1/2	2-5/8	4-1/4	3/8
PLHSO150-5-AA	1-1/2	5	2-1/2	1-1/2	2-5/8	6-1/4	3/8
PLHSO200-3-AA	2	3	2-3/4	2	3-1/4	4-1/4	3/8
PLHSO200-5-AA	2	5	2-3/4	2	3-1/4	6-1/4	3/8
PLHSO250-3-AA	2-1/2	3	3-1/8	2	3-11/16	4-1/4	3/8
PLHSO250-5-AA	2-1/2	5	3-1/8	2	3-11/16	6-1/4	3/8
PLHSO300-3-AA	3	3	3-5/8	3	4-1/2	4-1/4	7/16
PLHSO300-5-AA	3	5	3-5/8	3	4-1/2	6-1/4	7/16
PLHSO350-3-AA	3-1/2	3	4	3	5	4-1/4	7/16
PLHSO350-5-AA	3-1/2	5	4	3	5	6-1/4	7/16
PLHSO400-3-AA	4	3	4-1/2	3	5-1/2	4-1/4	7/16
PLHSO400-5-AA	4	5	4-1/2	3	5-1/2	6-1/4	1/2
PLHSO450-3-AA	4-1/2	3	4-3/4	3	6	4-1/4	7/16
PLHSO450-5-AA	4-1/2	5	4-3/4	3	6	6-1/4	7/16
PLHSO500-3-AA	5	3	5	3	6-9/16	4-1/4	7/16
PLHSO500-5-AA	5	5	5	3	6-9/16	6-1/4	7/16
PLHSO600-3-AA	6	3	5-1/2	4	7-5/8	4-1/4	7/16
PLHSO600-5-AA	6	5	5-1/2	4	7-5/8	6-1/4	7/16
PLHSO800-5-AA	8	5	6-15/16	4	9-5/8	6-1/4	7/16
PLHSO800-7-AA	8	7	6-15/16	4	9-5/8	8-1/2	7/16

## DOSSERT®

### TYPE WPS-AA

#### Aluminum Bus Support

Horizontal type support for pipe or tube to insulator. Slip or rigid fit applications.

#### Material

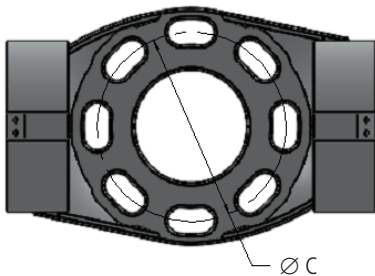
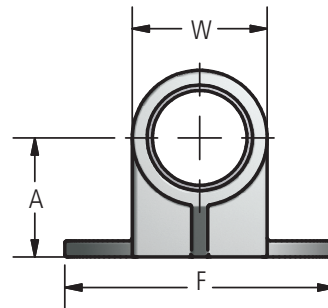
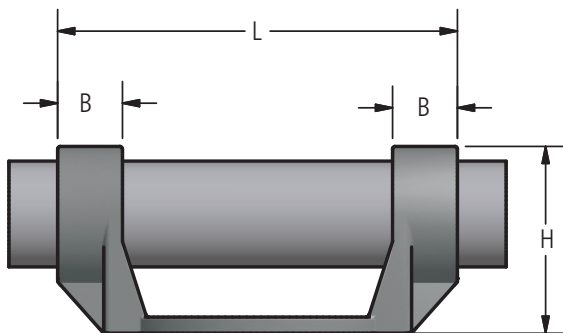
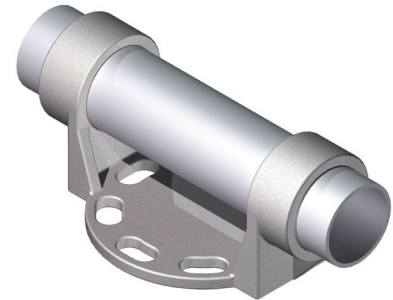
Aluminum Alloy

#### Hardware

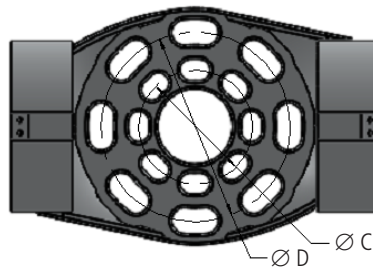
Galvanized steel mounting hardware.

#### Notes

1. For base mounting dimensions and hardware see page 3 in the general catalog index.



DETAIL A



DETAIL B

*continued*  
→



# 230 kV Aluminum Welded Bus Supports

## DOSSERT®

### TYPE WPS-AA

#### Aluminum Welded Bus Support

#### Ordering Information

CATALOG NUMBER		SPS	BOLT CIRCLE	DIMENSIONS IN INCHES							
STANDARD	WITH CHATTER SPRING			A	B	C	D	F	H	L	W
WPS100-3-AA	WPS100-3-CH-AA	1	A	2	1	3	-	4 1/4	2 31/32	6 1/4	1 29/32
WPS100-5-AA	WPS100-5-CH-AA	1	A	2 1/4	1	5	-	6 1/4	3 7/32	7 27/32	1 29/32
WPS125-3-AA	WPS125-3-CH-AA	1 1/4	A	2 1/4	1	3	-	4 1/4	3 3/8	6 1/4	2 9/32
WPS125-5-AA	WPS125-5-CH-AA	1 1/4	A	2 3/8	1	5	-	6 1/4	3 17/32	8 1/8	2 9/32
WPS150-3-AA	WPS150-3-CH-AA	1 1/2	A	2 1/2	1 1/4	3	-	4 1/4	3 3/4	6 3/4	2 9/32
WPS150-5-AA	WPS150-5-CH-AA	1 1/2	A	2 1/2	1 1/4	5	-	6 1/4	3 3/4	8 3/4	2 9/32
WPS200-3-AA	WPS200-3-CH-AA	2	A	2 3/4	1 1/2	3	-	4 1/4	4 1/4	7 1/4	3 5/32
WPS200-5-AA	WPS200-5-CH-AA	2	A	2 3/4	1 1/2	5	-	6 1/4	4 1/4	9 1/8	3 5/32
WPS250-3-AA	WPS250-3-CH-AA	2 1/2	A	3 1/8	1 1/2	3	-	4 1/4	5	7 1/4	3 13/16
WPS250-5-AA	WPS250-5-CH-AA	2 1/2	A	3 1/8	1 1/2	5	-	6 1/4	5	9 3/16	3 13/16
WPS250-7-AA	WPS250-7-CH-AA	2 1/2	A	3 1/8	1 1/2	7	-	8 1/2	5	12	3 13/16
WPS300-3-AA	WPS300-3-CH-AA	3	A	3 5/8	1 3/4	3	-	4 1/4	5 25/32	7 3/4	4 5/16
WPS300-3/5-AA	WPS300-3/5-CH-AA	3	B	3 5/8	1 3/4	3	5	6 1/4	5 25/32	9 3/4	4 5/16
WPS300-5-AA	WPS300-5-CH-AA	3	A	3 5/8	1 3/4	5	-	6 1/4	5 25/32	9 3/4	4 5/16
WPS300-5/7-AA	WPS300-5/7-CH-AA	3	B	3 5/8	1 3/4	5	7	8 1/2	5 25/32	12 1/4	4 5/16
WPS300-7-AA	WPS300-7-CH-AA	3	A	3 5/8	1 3/4	7	-	8 1/2	5 25/32	12 1/4	4 5/16
WPS350-3-AA	WPS350-3-CH-AA	3 1/2	A	4	1 3/4	3	-	4 1/4	6 1/2	7 3/4	5
WPS350-3/5-AA	WPS350-3/5-CH-AA	3 1/2	B	4	1 3/4	3	5	6 1/4	6 1/2	9 3/4	5
WPS350-5-AA	WPS350-5-CH-AA	3 1/2	A	4	1 3/4	5	-	6 1/4	6 1/2	9 3/4	5
WPS350-5/7-AA	WPS350-5/7-CH-AA	3 1/2	B	4	1 3/4	5	7	8 1/2	6 1/2	12 1/8	5
WPS350-7-AA	WPS350-7-CH-AA	3 1/2	A	4	1 3/4	7	-	8 1/2	6 1/2	12 1/8	5
WPS400-3-AA	WPS400-3-CH-AA	4	A	4 1/2	2	3	-	4 1/4	7 1/4	8 1/8	5 15/32
WPS400-3/5-AA	WPS400-3/5-CH-AA	4	B	4 1/2	2	3	5	6 1/4	7 1/4	10 1/4	5 15/32
WPS400-5-AA	WPS400-5-CH-AA	4	A	4 1/2	2	5	-	6 1/4	7 1/4	10 1/4	5 15/32
WPS400-5/7-AA	WPS400-5/7-CH-AA	4	B	4 1/2	2	5	7	8 1/2	7 1/4	12 1/2	5 15/32
WPS400-7-AA	WPS400-7-CH-AA	4	A	4 1/2	2	7	-	8 1/2	7 1/4	12 1/2	5 15/32
WPS450-3-AA	WPS450-3-CH-AA	4 1/2	A	4 3/4	2	3	-	4 1/4	7 1/4	8 1/4	5 31/32
WPS450-3/5-AA	WPS450-3/5-CH-AA	4 1/2	B	4 3/4	2	3	5	6 1/4	7 1/4	10 1/4	5 31/32
WPS450-5-AA	WPS450-5-CH-AA	4 1/2	A	4 3/4	2	5	-	6 1/4	7 1/4	10 1/4	5 31/32
WPS450-5/7-AA	WPS450-5/7-CH-AA	4 1/2	B	4 3/4	2	5	7	8 1/2	7 1/4	12 1/2	5 15/32
WPS450-7-AA	WPS450-7-CH-AA	4 1/2	A	4 3/4	2	7	-	8 1/2	7 1/4	12 1/2	5 15/32
WPS500-3-AA	WPS500-3-CH-AA	5	A	5	2 1/4	3	-	4 1/4	8 9/16	8 7/8	6 5/8
WPS500-3/5-AA	WPS500-3/5-CH-AA	5	B	5	2 1/4	3	5	6 1/4	8 9/16	10 7/8	6 5/8
WPS500-5-AA	WPS500-5-CH-AA	5	A	5	2 1/4	5	-	6 1/4	8 9/16	10 7/8	6 5/8
WPS500-5/7-AA	WPS500-5/7-CH-AA	5	B	5	2 1/4	5	7	8 1/2	8 9/16	13 1/8	6 5/8
WPS500-7-AA	WPS500-7-CH-AA	5	A	5	2 1/4	7	-	8 1/2	8 9/16	13 1/8	6 5/8
WPS600-3-AA	WPS600-3-CH-AA	6	A	5 1/2	2 1/4	3	-	4 1/4	9 23/32	8 7/8	7 7/8
WPS600-3/5-AA	WPS600-3/5-CH-AA	6	B	5 1/2	2 1/4	3	5	6 1/4	9 23/32	10 7/8	7 7/8
WPS600-5-AA	WPS600-5-CH-AA	6	A	5 1/2	2 1/4	5	-	6 1/4	9 23/32	10 7/8	7 7/8
WPS600-5/7-AA	WPS600-5/7-CH-AA	6	B	5 1/2	2 1/4	5	7	8 1/2	9 23/32	13 1/8	7 7/8
WPS600-7-AA	WPS600-7-CH-AA	6	A	5 1/2	2 1/4	7	-	8 1/2	9 23/32	13 1/8	7 7/8
WPS800-5-AA	WPS800-5-CH-AA	8	A	6 15/16	2	5	-	8 1/2	11 3/4	13 7/8	9 3/4
WPS800-7-AA	WPS800-7-CH-AA	8	A	6 15/16	2	7	-	8 1/2	11 3/4	13 7/8	9 3/4

230 kV Al. Welded Bu Supports

## DOSSERT® TYPE WPSO-AA Aluminum Welded Bus Support

Open saddle horizontal type support for pipe to insulator. Rigid applications only. Pipe lays into support and is welded in the field.

### Material

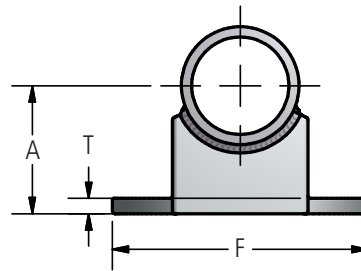
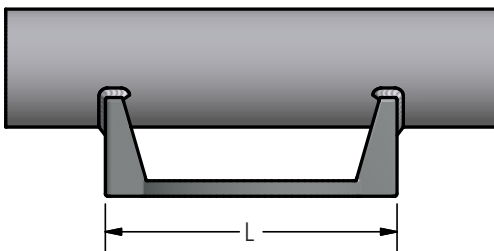
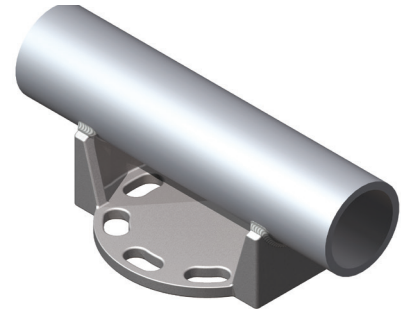
Aluminum Alloy

### Hardware

Galvanized steel base mounting hardware.

### Note

- For base mounting dimensions and hardware, see page 3 in the general catalog index.



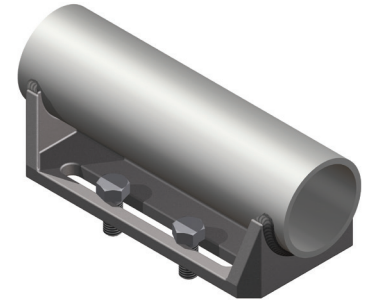
### Ordering Information

CATALOG NUMBER	SPS	BOLT CIRCLE	DIMENSIONS IN INCHES			
			A	F	L	T
WPSO75-3-AA	3/4	3	2	4 1/4	4 3/4	3/8
WPSO75-5-AA	3/4	5	2 1/4	6 1/4	6 7/8	3/8
WPSO100-3-AA	1	3	2	4 1/4	4 3/4	3/8
WPSO100-5-AA	1	5	2 1/4	6 1/4	6 7/8	3/8
WPSO125-3-AA	1 1/4	3	2 1/4	4 1/4	5 1/4	3/8
WPSO125-5-AA	1 1/4	5	2 3/8	6 1/4	7	3/8
WPSO150-3-AA	1 1/2	3	2 1/2	4 1/4	4 7/8	3/8
WPSO150-5-AA	1 1/2	5	2 1/2	6 1/4	7	3/8
WPSO200-3-AA	2	3	2 3/4	4 1/4	5	3/8
WPSO200-5-AA	2	5	2 3/4	6 1/4	7 1/8	3/8
WPSO250-3-AA	2 1/2	3	3 1/8	4 1/4	5	3/8
WPSO250-5-AA	2 1/2	5	3 1/8	6 1/4	7 1/8	3/8
WPSO300-3-AA	3	3	3 5/8	4 1/4	5 1/8	3/8
WPSO300-5-AA	3	5	3 5/8	6 1/4	7 1/4	3/8
WPSO350-3-AA	3 1/2	3	4	4 1/4	5 3/8	1/2
WPSO350-5-AA	3 1/2	5	4	6 1/4	7 1/4	1/2
WPSO400-3-AA	4	3	4 1/2	4 1/4	5 1/8	1/2
WPSO400-5-AA	4	5	4 1/2	6 1/4	7 1/4	1/2
WPSO500-3-AA	5	3	5	4 1/4	5 3/8	1/2
WPSO500-5-AA	5	5	5	6 1/4	7 1/2	1/2
WPSO600-3-AA	6	3	5 1/2	4 1/4	5 3/8	1/2
WPSO600-5-AA	6	5	5 1/2	6 1/4	7 1/2	1/2
WPSO400-7-AA	4	7	4 1/4	8 5/8	9 5/8	1/2
WPSO500-7-AA	5	7	5	8 5/8	9 5/8	1/2
WPSO600-7-AA	6	7	5 1/2	8 5/8	9 5/8	1/2
WPSO800-5-AA	8	5	6 15/16	6 1/4	9 5/8	1/2
WPSO800-7-AA	8	7	6 15/16	8 5/8	9 5/8	1/2

## DOSSERT<sup>®</sup> TYPE WPSSL-AA

Welded Slide Bus Support

Pipe or bus tube is welded to support. The support is then bolted directly into the insulator. Bolt sleeves allow the whole support to slide on the insulator. Bolt sleeves for rigid fix support can be ordered.



### Material

Aluminum Alloy

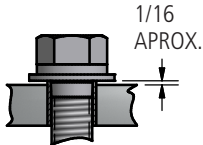
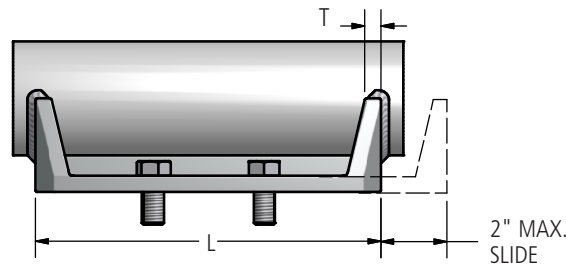
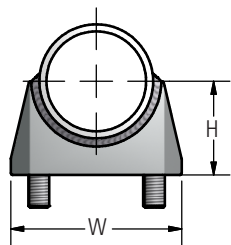
Hardware

Galvanized steel hardware  
for base mounting.

### Notes

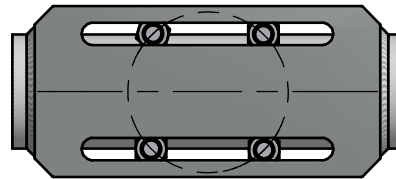
Add "R" to catalog number for rigid fit; EX: WPSSL300-5-R-AA

Add "SR" for slip and rigid fit; EX: WPSSL30-5-R-AA



SLIDE BUS SUPPORT  
ASSEMBLY 1

FIXED BUS SUPPORT  
ASSEMBLY 2



### Ordering Information

CATALOG NUMBER		SPS	BOLT CIRCLE	DIMENSIONS IN INCHES				
SLIP FIT	RIGID FIT			H	L	T	W	BOLT SIZE
WPSSL100-3-AA	WPSSL100-3-R-AA	1	3	2	8-1/2	1/2	3-1/4	1/2
WPSSL100-5-AA	WPSSL100-5-R-AA	1	5	2-1/4	10-1/2	1/2	5-3/8	5/8
WPSSL125-3-AA	WPSSL125-3-R-AA	1-1/4	3	2-1/4	8-1/2	1/2	3-1/4	1/2
WPSSL125-5-AA	WPSSL125-5-R-AA	1-1/4	5	2-3/8	10-1/2	1/2	5-3/8	5/8
WPSSL150-3-AA	WPSSL150-3-R-AA	1-1/2	3	2-1/2	8-1/2	1/2	3-1/4	1/2
WPSSL150-5-AA	WPSSL150-5-R-AA	1-1/2	5	2-1/2	10-1/2	1/2	5-3/8	5/8
WPSSL200-3-AA	WPSSL200-3-R-AA	2	3	2-3/4	8-1/2	1/2	3-1/4	1/2
WPSSL200-5-AA	WPSSL200-5-R-AA	2	5	2-3/4	10-1/2	1/2	5-3/8	5/8
WPSSL250-3-AA	WPSSL250-3-R-AA	2-1/2	3	3-1/8	8-1/2	1/2	3-1/4	1/2
WPSSL250-5-AA	WPSSL250-5-R-AA	2-1/2	5	3-1/8	10-1/2	1/2	5-3/8	5/8
WPSSL300-3-AA	WPSSL300-3-R-AA	3	3	3-5/8	8-1/2	1/2	3-3/4	1/2
WPSSL300-5-AA	WPSSL300-5-R-AA	3	5	3-5/8	10-1/2	5/8	5-1/2	5/8
WPSSL350-3-AA	WPSSL350-3-R-AA	3-1/2	3	4	8-1/2	1/2	4-1/4	1/2
WPSSL350-5-AA	WPSSL350-5-R-AA	3-1/2	5	4	10-1/2	5/8	5-1/2	5/8
WPSSL400-3-AA	WPSSL400-3-R-AA	4	3	4-1/2	8-1/2	1/2	4-1/2	1/2
WPSSL400-5-AA	WPSSL400-5-R-AA	4	5	4-1/2	10-1/2	5/8	5-1/2	5/8
WPSSL450-3-AA	WPSSL450-3-R-AA	4-1/2	3	4-3/4	8-1/2	1/2	4-1/2	1/2
WPSSL450-5-AA	WPSSL450-5-R-AA	4-1/2	5	2-3/4	10-1/2	5/8	5-1/2	5/8
WPSSL500-3-AA	WPSSL500-3-R-AA	5	3	5	8-1/2	1/2	5	1/2
WPSSL500-5-AA	WPSSL500-5-R-AA	5	5	5	10-1/2	5/8	5-1/2	5/8
WPSSL500-7-AA	WPSSL500-7-R-AA	5	7	5	12-1/2	5/8	7-3/4	5/8
WPSSL600-3-AA	WPSSL600-3-R-AA	6	3	5-1/2	8-1/2	1/2	5-3/4	1/2
WPSSL600-5-AA	WPSSL600-5-R-AA	6	5	5-1/2	10-1/2	5/8	6	5/8
WPSSL800-5-AA	WPSSL800-5-R-AA	8	5	6-15/16	8-1/2	5/8	7-11/16	1/2
WPSSL800-7-AA	WPSSL800-7-R-AA	8	7	6-15/16	10-1/2	5/8	9-15/16	5/8



## DOSSERT®

### TYPE WPSV-AA

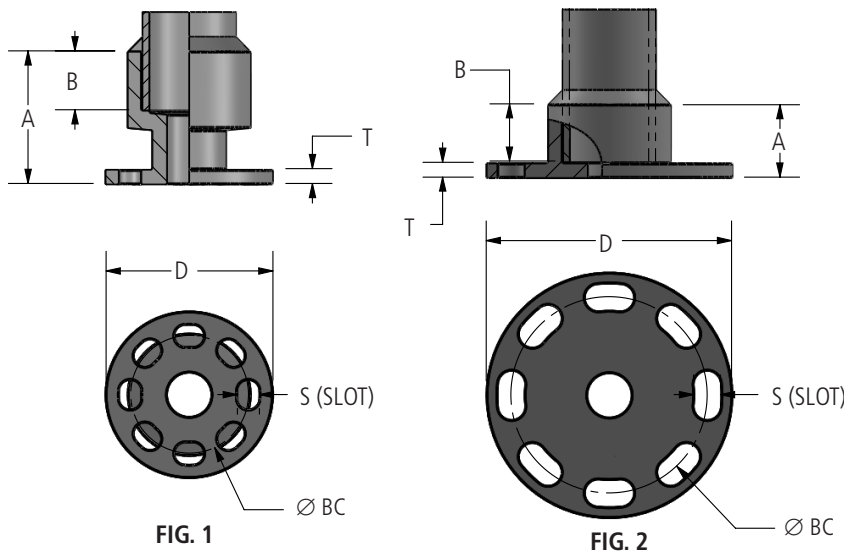
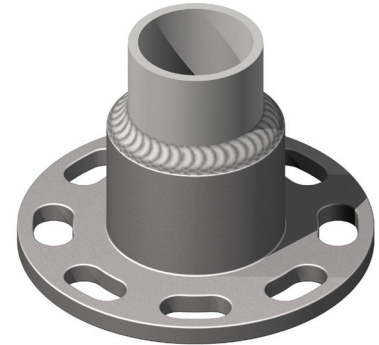
#### Vertical Welded Bus Support for Tubing or Pipe

##### Material

Aluminum Alloy

##### Hardware

Galvanized steel bolts and lockwashers.



### Ordering Information

CATALOG NUMBER	SPS	BOLT CIRCLE	FIG. NO.	DIMENSIONS IN INCHES				
				A	B	D	S	T
WPSV100-3-AA	1	3	2	1-3/8	1	4-1/4	9/16	3/8
WPSV125-3-AA	1-1/4	3	1	3	1-1/4	4-1/4	9/16	3/8
WPSV125-5-AA	1-1/4	5	2	1-3/8	1	6-1/4	11/16	3/8
WPSV150-3-AA	1-1/2	3	1	3	1-1/4	4-1/4	9/16	3/8
WPSV150-5-AA	1-1/2	5	2	1-7/8	1-1/2	6-1/4	11/16	3/8
WPSV200-3-AA	2	3	1	3-3/8	1-1/2	4-1/4	9/16	3/8
WPSV200-5-AA	2	5	2	2-1/8	1-3/4	6-1/4	11/16	3/8
WPSV250-3-AA	2-1/2	3	1	3-3/4	1-3/4	4-1/4	9/16	3/8
WPSV250-5-AA	2-1/2	5	2	2-1/8	1-3/4	6-1/4	11/16	3/8
WPSV300-3-AA	3	3	1	3-7/8	1-3/4	4-1/4	9/16	3/8
WPSV300-5-AA	3	5	1	3-5/8	1-3/4	6-1/4	11/16	3/8
WPSV300-7-AA	3	7	2	2-1/8	1-3/4	8-1/2	13/16	3/8
WPSV350-3-AA	3-1/2	3	1	4-5/16	2	4-1/4	9/16	7/16
WPSV350-5-AA	3-1/2	5	1	4-5/16	2	6-1/4	11/16	7/16
WPSV350-7-AA	3-1/2	7	2	2-1/2	2	8-1/2	13/16	1/2
WPSV400-3-AA	4	3	1	3-7/8	1-3/4	4-1/4	9/16	3/8
WPSV400-5-AA	4	5	1	3-7/8	1-3/4	6-1/4	11/16	3/8
WPSV400-7-AA	4	7	1	3-7/8	1-3/4	8-1/2	13/16	1/2
WPSV450-3-AA	4-1/2	3	1	4-5/16	2	4-1/4	9/16	3/8
WPSV450-5-AA	4-1/2	5	1	4-1/8	1-3/4	6-1/4	11/16	3/8
WPSV450-7-AA	4-1/2	7	1	4-7/16	2	8-1/2	13/16	1/2
WPSV500-3-AA	5	3	1	4-5/16	2	4-1/4	9/16	1/2
WPSV500-5-AA	5	5	1	5-1/16	2	6-1/4	11/16	1/2
WPSV500-7-AA	5	7	1	5-1/16	2	8-1/2	13/16	1/2
WPSV600-3-AA	6	3	1	5-1/4	3	4-1/4	9/16	3/8
WPSV600-5-AA	6	5	1	5-3/8	3	6-1/4	11/16	1/2
WPSV600-7-AA	6	7	1	5-3/8	3	8-1/2	13/16	1/2
WPSV800-5-AA	8	5	1	6-3/8	3-3/4	6-1/4	11/16	1/2
WPSV800-7-AA	8	7	1	6-3/8	3-3/4	8-1/2	13/16	1/2

## DOSSERT® TYPE WXBC-AA, WXBC-E-AA

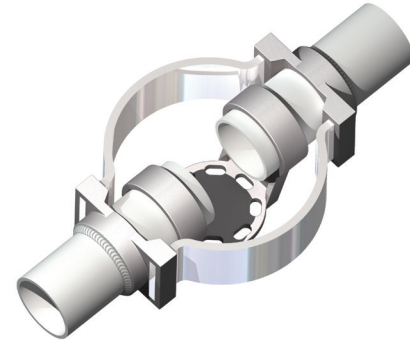
Expansion Support is designed to compensate for expansion and contraction in long bus runs.

### Material

Aluminum Alloy

### Hardware

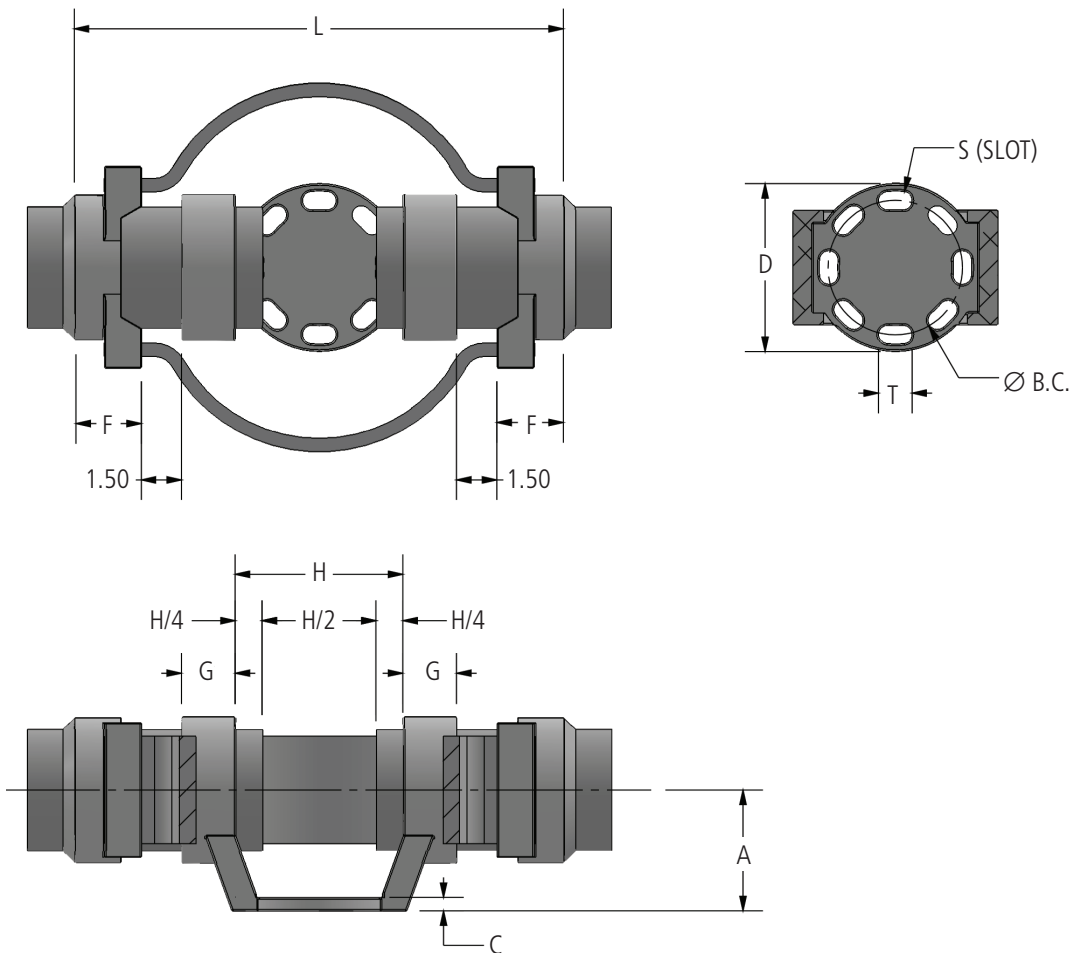
Galvanized steel bolts and lockwashers



WXBC-AA

### Notes

- For Welded End Plug, add "-WP" to the catalog number. EX: WXBC400-5-AA-WP
- For Chatter Spring, add "-CH" to the catalog number. EX: WXBC400-5-CH-AA



*continued*

## DOSSERT<sup>®</sup> TYPE WXBC-AA, WXBC-E-AA

### Ordering Information

CATALOG NUMBER		SPS	DIMENSIONS IN INCHES									
SCHEDULE 40	SCHEDULE 80		A	B.C.	C	D	F	G	H	L	S	T
WXBC100-3-AA	WXBC100E-3-AA	1	2.00	3.00	0.38	4.25	1.50	1.25	4.50	13.00	0.56	0.81
WXBC125-3-AA	WXBC125E-3-AA	1 1/4	2.25	3.00	0.38	4.25	1.50	1.25	4.50	13.00	0.56	0.81
WXBC125-5-AA	WXBC125E-5-AA	1 1/4	2.38	5.00	0.38	6.25	1.50	1.25	6.25	14.75	0.69	1.06
WXBC150-3-AA	WXBC150E-3-AA	1 1/2	2.50	3.00	0.38	4.25	1.75	1.25	4.50	13.50	0.56	0.81
WXBC150-5-AA	WXBC150E-5-AA	1 1/2	2.50	5.00	0.38	6.25	1.75	1.25	6.25	15.25	0.69	1.06
WXBC200-3-AA	WXBC200E-3-AA	2	2.75	3.00	0.38	4.25	2.19	1.25	4.50	14.38	0.56	0.81
WXBC200-5-AA	WXBC200E-5-AA	2	2.75	5.00	0.38	6.25	2.19	1.25	6.25	16.13	0.69	1.06
WXBC200-7-AA	WXBC200E-7-AA	2	2.75	7.00	0.38	8.50	2.19	1.25	8.75	18.75	0.81	1.63
WXBC250-3-AA	WXBC250E-3-AA	2 1/2	3.13	3.00	0.38	4.25	2.19	1.25	4.50	14.38	0.56	0.81
WXBC250-5-AA	WXBC250E-5-AA	2 1/2	3.13	5.00	0.38	6.25	2.19	1.25	6.25	16.13	0.69	1.06
WXBC250-7-AA	WXBC250E-7-AA	2 1/2	3.13	7.00	0.38	8.50	2.19	1.25	8.75	18.75	0.81	1.63
WXBC300-3-AA	WXBC300E-3-AA	3	3.63	3.00	0.44	4.25	2.31	1.63	4.50	14.63	0.56	0.81
WXBC300-5-AA	WXBC300E-5-AA	3	3.63	5.00	0.50	6.25	2.31	1.63	6.25	16.38	0.69	1.06
WXBC300-7-AA	WXBC300E-7-AA	3	3.63	7.00	0.44	8.50	2.31	1.63	8.75	19.75	0.81	1.63
WXBC350-3-AA	WXBC350E-3-AA	3 1/2	4.00	3.00	0.50	4.25	2.31	1.25	4.50	14.63	0.56	0.81
WXBC350-5-AA	WXBC350E-5-AA	3 1/2	4.00	5.00	0.50	6.25	2.25	1.25	7.13	17.13	0.69	1.06
WXBC350-7-AA	WXBC350E-7-AA	3 1/2	4.00	7.00	0.50	6.25	2.25	1.25	8.75	19.75	0.81	1.63
WXBC350-5-S-AA	WXBC350E-5-S-AA	3 1/2	5.00	5.00	0.50	6.25	2.25	1.25	7.13	17.13	0.69	1.06
WXBC400-3-AA	WXBC400E-3-AA	4	4.50	3.00	0.50	4.25	2.50	2.00	4.50	15.50	0.56	0.81
WXBC400-5-AA	WXBC400E-5-AA	4	4.50	5.00	0.50	6.25	2.50	2.00	6.25	17.25	0.69	1.06
WXBC400-7-AA	WXBC400E-7-AA	4	4.50	7.00	0.50	8.50	2.50	2.00	8.75	20.50	0.81	1.63
WXBC500-3-AA	WXBC500E-3-AA	5	5.00	3.00	0.50	4.25	2.50	2.00	4.50	15.50	0.56	0.81
WXBC500-5-AA	WXBC500E-5-AA	5	5.00	5.00	0.50	6.25	2.50	2.00	6.25	18.25	0.69	1.06
WXBC500-7-AA	WXBC500E-7-AA	5	5.00	7.00	0.63	8.50	2.50	2.00	8.75	19.75	0.81	1.63
WXBC500-5-S-AA	WXBC500E-5-S-AA	5	4.88	5.00	0.50	6.25	2.50	2.00	6.25	17.25	0.69	1.06
WXBC600-3-AA	WXBC600E-3-AA	6	5.50	3.00	0.50	4.25	2.50	2.00	4.50	15.50	0.56	0.81
WXBC600-5-AA	WXBC600E-5-AA	6	5.50	5.00	0.50	6.25	2.50	2.00	6.25	19.75	0.69	1.06
WXBC600-7-AA	WXBC600E-7-AA	6	5.50	7.00	0.63	8.50	2.50	2.00	8.75	22.75	0.81	1.63
WXBC800R-5-AA	—	8 OD	6.38	5.00	0.63	6.25	3.00	2.00	8.50	21.50	0.69	1.06
WXBC800R-7-AA	—	8 OD	6.38	7.00	0.63	8.50	3.00	2.00	8.50	21.50	0.81	1.63