

DOSSERT[®] TYPE WTC-N-AA

Welded Tee to Flat

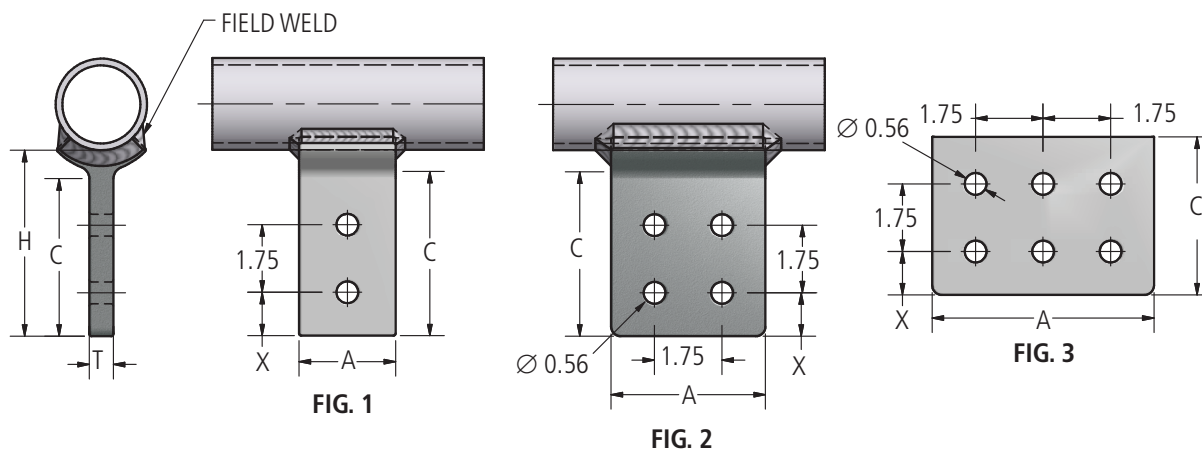
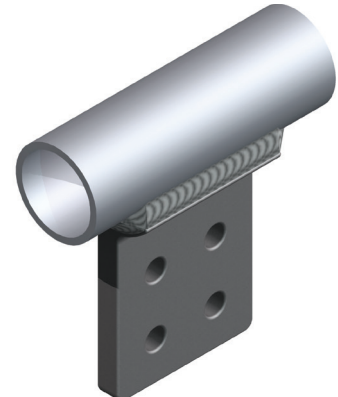
For welding a two, four, or six hole NEMA pad to a pipe.

Material

Aluminum Alloy

Notes

- For Undrilled holes on pad, add "-U" to catalog number. EX: WTC250-2NU-AA
- For Finish surface on both sides of pad, add "-F" to catalog number. EX: WTC250-2NF-AA.



Ordering Information

CATALOG NUMBER	SPS RANGE	FIG. NO.	DIMENSIONS IN INCHES				
			A	C	H	T	X
WTC250-2N-AA	1 THRU 2 1/2	1	2.00	3.25	3.88	0.50	0.63
WTC250-4N-AA	1 THRU 2 1/2	2	3.00	3.25	3.88	0.50	0.63
WTC250-4N4-AA	1 THRU 2 1/2	2	4.00	4.25	4.88	0.63	1.13
WTC600-2N-AA	3 THRU 6	1	2.00	3.25	4.00	0.75	0.63
WTC 600-4N-AA	3 THRU 6	2	3.00	3.25	4.00	0.75	0.63
WTC 600-4N4-AA	3 THRU 6	2	4.00	4.25	5.00	0.75	1.13
WTC 600-6N4-AA	3 THRU 6	3	6.00	4.00	5.00	0.75	1.13
WTC800-4N4-AA	8	2	4.00	4.25	5.00	0.75	1.13
WTC800R-2N-AA	8" OD	1	2.00	4.25	5.11	0.75	0.75
WTC800R-4N4-AA	8" OD	2	4.00	4.25	5.00	0.75	1.13

DOSSERT®

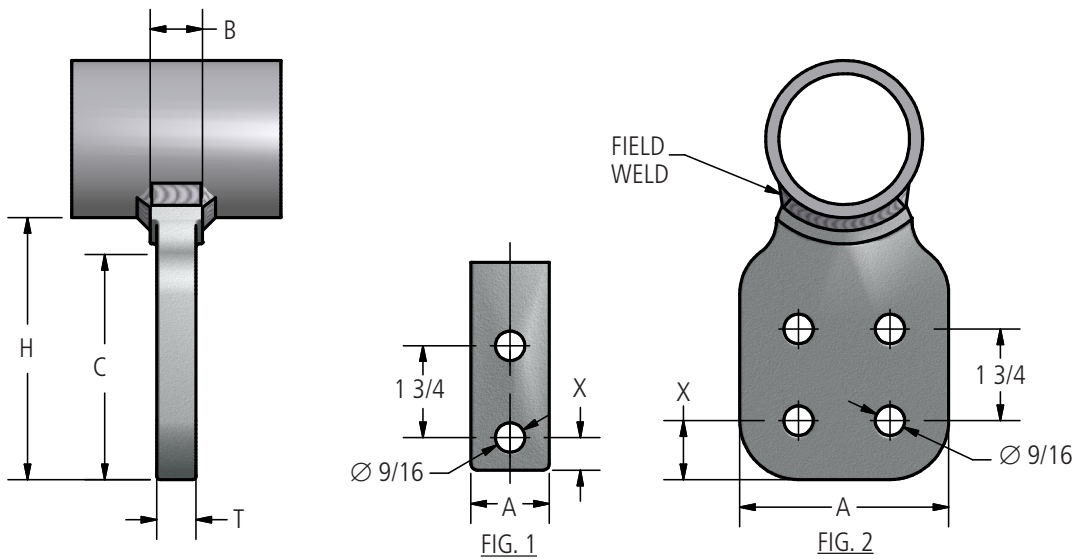
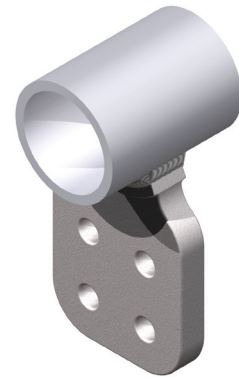
TYPE WTF-AA

Perpendicular Pipe Tap

Transverse tee taps are designed to provide terminal connections in span on tubular bus. Pads have contact surfaces on both sides. Pads conform to NEMA standards.

Material

Aluminum Alloy



230 kV Aluminum Pipe Taps & Extensions

Ordering Information

CATALOG NUMBER	SPS		FIG. NO.	DIMENSIONS IN INCHES					
	MIN	MAX		A	B	C	H	T	X
WTF250-2N-AA	1	2-1/2	1	2	7/8	3-1/8	3-3/4	1/2	5/8
WTF250-4N-AA	1	2-1/2	2	3	7/8	3-1/8	3-3/4	1/2	5/8
WTF250-4N4-AA	1	2-1/2	2	4	7/8	4-1/8	4-3/4	1/2	1-1/8
WTF600-2N-AA	3	6	1	2	1	3-1/8	3-3/4	3/4	5/8
WTF600-4N-AA	3	6	2	3	1	3-1/8	3-3/4	3/4	5/8
WTF600-4N4-AA	3	6	2	4	1	4-1/8	4-3/4	3/4	1-1/8