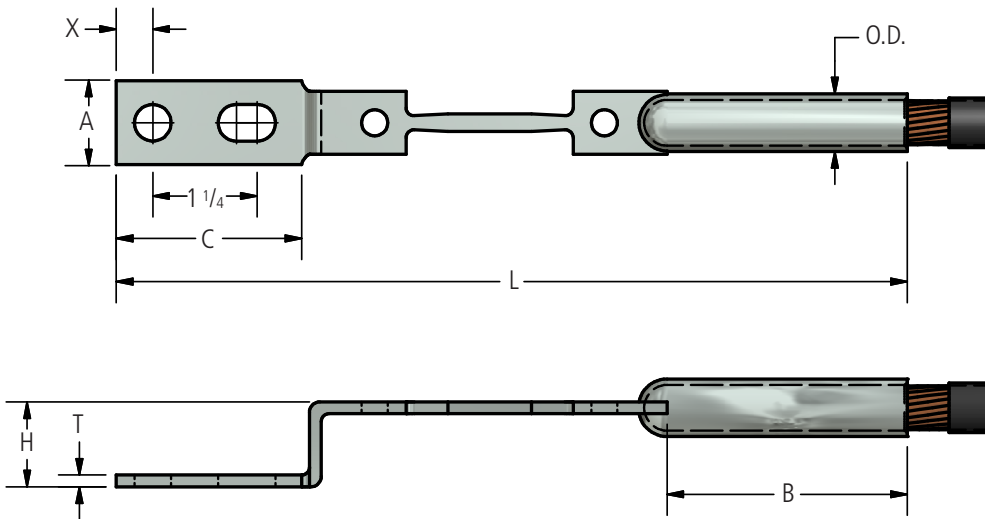
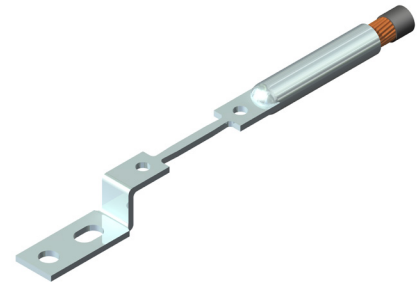


DOSSERT®

Type LLA-2PL3 Long Limiter Terminal for Paper Insulated Cable*

The limiter terminal acts as a cable terminal as well as a current limiting fuse. The fusible section is made to close tolerances to insure consistent conformity with the fusing time-current curves. The limiter terminal will clear on severe loads or faults but will not clear on system overloads of short period.



Ordering Information

CATALOG NUMBER	CABLE SIZE	NO. OF INDENTS	DIMENSIONS IN INCHES							
			A	B	C	H	L	O	T	X
LLA21-2PL3	4/0 STR	1	1	3 5/8	2 3/16	7/8	10	11/16	5/32	7/16
LLA25-2PL3	250 MCM	1	1 3/32	3 5/8	2 3/16	7/8	10	3/4	5/32	7/16
LLA30-2PL3	300 MCM	2	1 3/16	3 3/4	2 5/16	1	10 5/8	13/16	3/16	1/2
LLA35-2PL3	350 MCM	2	1 9/32	3 3/4	2 5/16	1	10 5/8	7/8	3/16	1/2
LLA40-2PL3	400 MCM	2	1 13/32	3 7/8	2 5/16	1	10 3/4	31/32	3/16	1/2
LLA50-2PL3	500 MCM	2	1 1/2	4 1/4	2 3/4	1	11 3/4	1 1/16	7/32	1/2
LLA75-2PL3	750 MCM	2	1 15/16	4 1/4	2 3/4	1	11 3/4	1 5/16	1/4	1/2

* Closed end of sockets are sealed to make sockets oil tight.