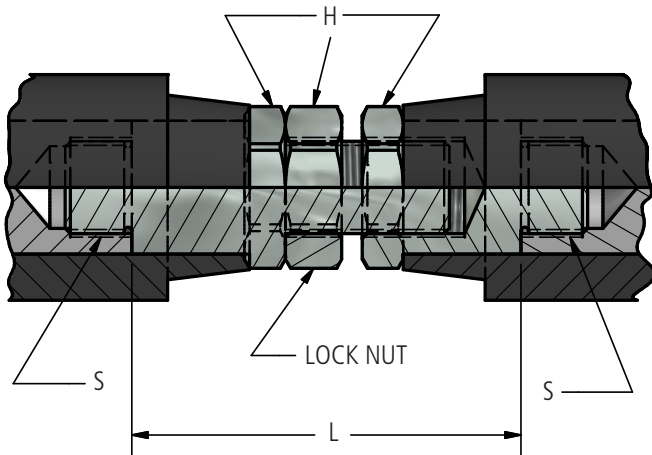
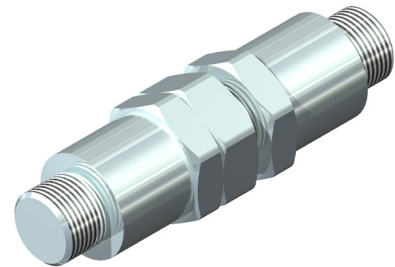


DOSSERT®

MICON Coupling Type MIC

A coupling for joining Micon connectors on end. The special engaging feature of the coupling permits the outlets of each unit, when joined in series, to assume any position about the center axis. The small exposed area makes possible a neatly taped junction. Coupling may also be used on side outlets for different assembled configurations.



Ordering Information

CATALOG NUMBER	CURRENT RATING AMPERES	NUMBER OF OUTLETS	STUD SIZE (S)	DIMENSIONS IN INCHES	
				L	H*
MIC63	63	1275	5/8 - 18 NF-2	4 3/16	1 5/16
MIC88	88	1700	7/8 - 14 NF-2	4 5/16	1 5/8
MIC112	112	2125	1 1/8 - 12 NF-2	4 11/16	2 1/8

* Across hexagonal flats.