

DOSSERT® TYPE CFT-N-V-AA

Cable to Flat Tee Connector

Bolted tap is designed to be corona free for 345 kV and 500 kV operation when pad covers are used to shield terminal hardware.

Material

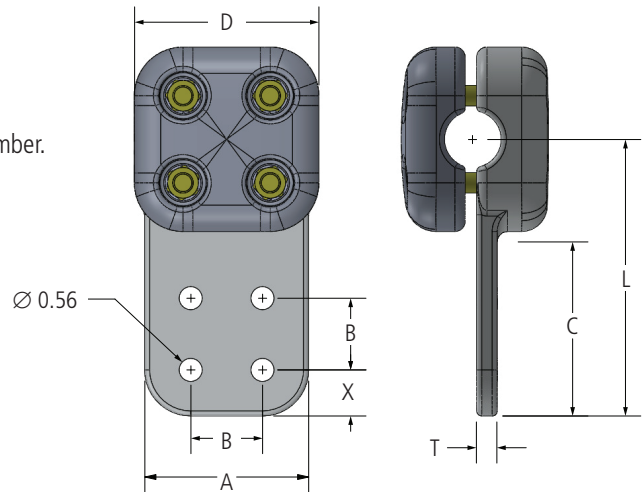
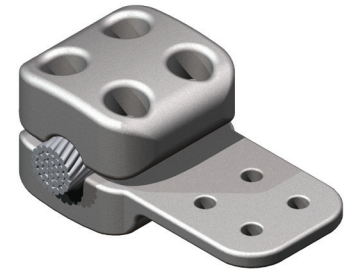
Aluminum Alloy

Hardware

Aluminum nuts, bolts and lockwashers.

Notes

- For Finished Surface on both sides of Pad, add "F" to catalog number.
EX: CFT79-4N4F-V-AA
- For Grade Five Galvanized Steel Hardware, add "-GS5" to catalog number.
EX: CFT79-4N4-V-AA-GS5
- For Hardware Shield, add "-CSBV" to catalog number.
EX: CFT79-4N4-V-AA-CSBV



Ordering Information

CATALOG NO.	CABLE RANGE				DIMENSIONS IN INCHES						
	MIN	MAX	ACSR	DIAMETER	A	B	C	D	L	T	X
CFT79-4N4-V-AA	750 MCM	795 MCM	636 (18/1;24/7;26/7)	0.940 - 1.026	4.00	1.75	4.00	4.50	6.38	0.50	1.13
CFT95-4N4-V-AA	800 MCM	954 MCM	795 (47/7;24/7;26/7)	1.032 - 1.140	4.00	1.75	4.00	4.50	6.50	0.50	1.13
CFT103-4N-V-AA	1000 MCM	1033.5 MCM	954 (45/7) (54/7)	1.151 - 1.196	3.00	1.75	3.00	4.50	5.63	0.50	0.63
CFT103-4N4-V-AA	1000 MCM	1033.5 MCM	954 (45/7) (54/7)	1.151 - 1.196	4.00	1.75	4.00	4.50	6.63	0.50	1.13
CFT127-4N4-V-AA	1113 MCM	1272 MCM	1033.5 (54/7), 1113 (45/7) (54/19)	1.216 - 1.300	4.00	1.75	4.00	4.50	6.75	0.50	1.13
CFT140-4N4-V-AA	1300 MCM	1400 MCM	1272 (45/7) (54/19)	1.315 - 1.382	4.00	1.75	4.00	4.50	6.75	0.50	1.13
CFT160-4N4-V-AA	1500 MCM	1600 MCM	1431 (45/7) (54/19)	1.413 - 1.464	4.00	1.75	4.00	4.75	6.75	0.50	1.13
CFT180-4N4-V-AA	1700 MCM	1800 MCM	1590 (45/7) (54/19)	1.504 - 1.545	4.00	1.75	4.00	4.75	6.75	0.69	1.13
CFT180-4S4-V-AA	1700 MCM	1800 MCM	1590 (45/7) (54/19)	1.504 - 1.545	4.00	2.00	4.00	4.75	6.75	0.69	1.00
CFT200-4N-V-AA	1900 MCM	2000 MCM	1780 (84/19)	1.631	3.00	1.75	3.00	4.75	5.88	0.75	0.63
CFT200-4N4-V-AA	1900 MCM	2000 MCM	1780 (84/19)	1.631	4.00	1.75	4.00	4.75	6.88	0.75	1.13
CFT216A-4N4-V-AA	—	—	2156	1.762	4.00	1.75	4.00	4.75	5.75	0.75	1.13
CFT250-4N4-V-AA	2400 MCM	2500 MCM	2156 (84/19)	1.762 - 1.823	4.00	1.75	4.00	4.75	7.00	0.75	1.13
CFT300-4N4-V-AA	2750 MCM	3000 MCM	2515 (76/19)	1.912 - 1.880	4.00	1.75	4.00	4.75	7.00	1.00	1.13
CFT350-4N4-V-AA	—	3500 MCM	—	2.158	4.00	1.75	4.00	4.75	7.25	1.00	1.13