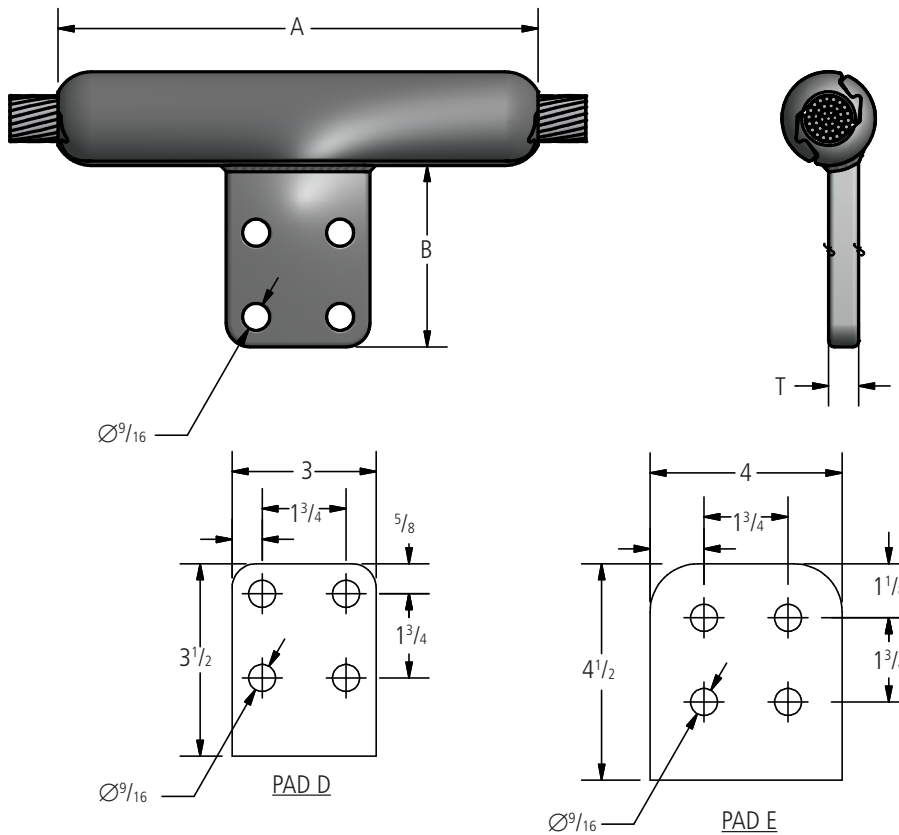


### DOSSERT® Type 2800-EHV, 5300-EHV

Substation tee connector is designed for limited space application as found in substations. Run length is shorter than conventional tee taps which saves space and allows faster installation. Tee tap is installed with standard AFL hex dies.

#### Material

Aluminum Alloy



500 kV Compression Connectors

#### Ordering Information

CATALOG NUMBER	CONDUCTOR RANGE		DIE SIZE	ALTERNATE CATALOG NUMBER	ALTERNATE PAD SIZE	DIMENSIONS IN INCHES			NOMINAL WEIGHT LBS
	DIAMETER	AAC				A	T	B	
2830.1 EHV	1.021 - 1.196	795 - 1033.5 kcmil	30AH	2830.1E EHV	E	10.00	0.62	4.00	2.6
2834.1 EHV	1.140 - 1.319	1000 - 1300 kcmil	34AH	2834.1E EHV	E	11.50	0.62	4.00	3.4
2836.1 EHV	1.320 - 1.417	1351.5 - 1510.5 kcmil	36AH	2836.1E EHV	E	11.50	0.62	4.00	3.7
2838.1 EHV	1.412 - 1.500	1510.5 - 1590 kcmil	38AH	2838.1E EHV	E	12.00	0.62	4.00	4.3
2840.1 EHV	1.496 - 1.557	1750 kcmil	40AH	2840.1E EHV	E	12.50	0.62	4.00	4.8
2842.1 EHV	1.550 - 1.625	-	42AH	2842.1D EHV	D	14.00	0.75	4.50	6.4
2844.1 EHV	1.626 - 1.842	2250 - 2500 kcmil	44AH	2844.1D EHV	D	14.00	0.75	4.50	6.3
2848.1 EHV	1.843 - 1.996	2750 kcmil	48AH	2848.1D EHV	D	16.00	0.75	4.50	7.1