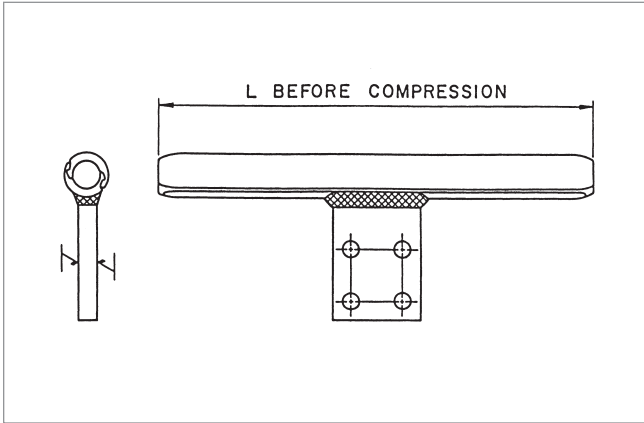


HiTemp Tee Tap—Open Run for ACSS/TW Conductor, 5300HT Series



The 5300HT Series Tee Tap is a permanent or temporary drop specifically designed for ACSS/TW conductors. It is fabricated from a specially tempered aluminum that will transfer elevated current and dissipate increased heat more efficiently.

The run portion incorporates an improved design of interlocking extrusions, providing a permanent grip on the conductor when compressed.

For die sizes 30AH and above, the end tapers of the compression portions of all compression accessories are supplied with a high voltage finish.

Square edges of the compression accessory pad can cause Corona. Pads with rounded edges and corners can be supplied by adding the catalog suffix 'EHV'.

Ordering Instructions

Step 1: Catalog Number

Determine the catalog number based on the conductor being used.

Step 2: Extra High Voltage Finish

For Extra High Voltage Finish, use "EHV". (≥ 345 kV)

For Standard Finish, leave blank. (< 345 kV)

Step 3: Assemble Catalog Number

+

Example:

For 954 Cardinal ACSS/TW Conductor with EHV finish, the complete catalog number is:

5330.3HTEHV

Notes:

1. Pad Dimensions are on page 339.
2. HiTemp AFL Filler Compound (AFCHT) Requirements are on page 340.
3. Bolt Sizes and Torque Recommendations are on page 342.
4. Installation Instructions for Tee Taps are on page 351.

HiTemp Tee Tap—Open Run for ACSS/TW Conductor, 5300HT Series (cont.)

ACCESSORIES

Catalog Number	Conductor					Die Size	Weight		Total Length L		Pad Size
	Code Name	Size	Type	Stranding	Diameter		lbs	kg	in	mm	
		kcmil		Al/St	in						
5320.3HT	Oriole/ACSS/TW	336.4	23	18/7	0.693	20AH	2.4	1.1	24.1	608	D
5324.3HT	Flicker/ACSS/TW	477.0	13	18/7	0.776	24AH	2.8	1.3	24.9	630	D
5324.3HT	Hawk/ACSS/TW	477.0	16	18/7	0.789	24AH	2.8	1.3	24.9	630	D
5324.3HT	Hen/ACSS/TW	477.0	23	18/7	0.825	24AH	2.8	1.3	24.9	630	D
5324.3HT	Parakeet/ACSS/TW	556.5	13	18/7	0.835	24AH	2.8	1.3	24.9	630	D
5324.3HT	Dove/ACSS/TW	556.5	16	20/7	0.852	24AH	2.8	1.3	24.9	630	D
5324.3HT	Calumet/ACSS/TW	565.3	16	18/7	0.858	24AH	2.8	1.3	24.9	630	D
5324.3HT	Mohawk/ACSS/TW	571.7	13	18/7	0.846	24AH	2.8	1.3	24.9	630	D
5327.3HT	Rook/ACSS/TW	636.0	13	19/7	0.890	27AH	3.9	1.8	27.1	685	D
5327.3HT	Grosbeak/ACSS/TW	636.0	16	20/7	0.908	27AH	3.9	1.8	27.1	685	D
5327.3HT	Scoter/ACSS/TW	636.0	23	18/7	0.953	27AH	3.9	1.8	27.1	685	D
5327.3HT	Oswego/ACSS/TW	664.8	16	20/7	0.927	27AH	3.9	1.8	27.1	685	D
5327.3HT	Mystic/ACSS/TW	666.6	13	20/7	0.913	27AH	3.9	1.8	27.1	685	D
5330.3HT	Wabash/ACSS/TW	762.8	16	20/7	0.990	30AH	4.8	2.2	27.3	690	D
5330.3HT	Maumee/ACSS/TW	768.2	13	20/7	0.977	30AH	4.8	2.2	27.3	690	D
5330.3HT	Tern/ACSS/TW	795.0	7	17/7	0.960	30AH	4.8	2.2	27.3	690	D
5330.3HT	Puffin/ACSS/TW	795.0	10	18/7	0.980	30AH	4.8	2.2	27.3	690	D
5330.3HT	Condor/ACSS/TW	795.0	13	20/7	0.993	30AH	4.8	2.2	27.3	690	D
5330.3HT	Drake/ACSS/TW	795.0	16	20/7	1.010	30AH	4.8	2.2	27.3	690	D
5330.3HT	Canary/ACSS/TW	900.0	13	30/7	1.080	30AH	4.8	2.2	27.3	690	D
5330.3HT	Fraser/ACSS/TW	946.7	10	35/7	1.077	30AH	4.8	2.2	27.3	690	D
5330.3HT	Phoenix/ACSS/TW	954.0	5	30/7	1.044	30AH	4.8	2.2	27.3	690	D
5330.3HT	Rail/ACSS/TW	954.0	7	32/7	1.061	30AH	4.8	2.2	27.3	690	D
5330.3HT	Cardinal/ACSS/TW	954.0	13	20/7	1.084	30AH	4.8	2.2	27.3	690	D
5330.3HT	Kettle/ACSS/TW	957.2	7	32/7	1.060	30AH	4.8	2.2	27.3	690	D
5330.3HT	Suwannee/ACSS/TW	959.6	16	22/7	1.108	30AH	4.8	2.2	27.3	690	D
5330.3HT	Columbia/ACSS/TW	966.2	13	21/7	1.092	30AH	4.8	2.2	27.3	690	D
5334.3HT	Snowbird/ACSS/TW	1033.5	5	30/7	1.089	34AH	6.3	2.9	28.7	725	D
5334.3HT	Ortolan/ACSS/TW	1033.5	7	32/7	1.102	34AH	6.3	2.9	28.7	725	D
5334.3HT	Curlew/ACSS/TW	1033.5	13	22/7	1.128	34AH	6.3	2.9	28.7	725	D
5334.3HT	-----	1080.0	7	20/7	1.131	34AH	6.3	2.9	28.7	725	D
5334.3HT	Avocet/ACSS/TW	1113.0	5	30/7	1.129	34AH	6.3	2.9	28.7	725	D
5334.3HT	Bluejay/ACSS/TW	1113.0	7	33/7	1.143	34AH	6.3	2.9	28.7	725	D
5334.3HT	Finch/ACSS/TW	1113.0	13	38/19	1.185	34AH	6.3	2.9	28.7	725	D
5334.3HT	Genesee/ACSS/TW	1158.0	7	33/7	1.165	34AH	6.3	2.9	28.7	725	D
5334.3HT	Hudson/ACSS/TW	1158.4	13	26/7	1.196	34AH	6.3	2.9	28.7	725	D
5334.3HT	Cheyenne/ACSS/TW	1168.1	5	30/7	1.155	34AH	6.3	2.9	28.7	725	D
5334.3HT	Oxbird/ACSS/TW	1192.5	5	30/7	1.167	34AH	6.3	2.9	28.7	725	D
5334.3HT	Bunting/ACSS/TW	1192.5	7	33/7	1.181	34AH	6.3	2.9	28.7	725	D
5336.3HT	Grackle/ACSS/TW	1192.5	13	38/19	1.225	36AH	6.5	3.0	29.6	748	D
5334.3HT	Yukon/ACSS/TW	1233.6	13	38/19	1.245	34AH	6.3	2.9	28.7	725	D
5334.3HT	Nelson/ACSS/TW	1257.1	7	35/7	1.213	34AH	6.3	2.9	28.7	725	D

HiTemp Tee Tap—Open Run for ACSS/TW Conductor, 5300HT Series (cont.)

Catalog Number	Conductor					Die Size	Weight		Total Length L		Pad Size
	Code Name	Size	Type	Stranding	Diameter		lbs	kg	in	mm	
		kcmil		Al/St	in						
5336.3HT	Scissortail/ACSS/TW	1272.0	5	30/7	1.202	36AH	6.5	3.0	29.6	748	D
5334.3HT	Catawba/ACSS/TW	1272.0	5	30/7	1.203	34AH	6.3	2.9	28.7	725	D
5336.3HT	Bittern/ACSS/TW	1272.0	7	35/7	1.220	36AH	6.5	3.0	29.6	748	D
5336.3HT	Pheasant/ACSS/TW	1272.0	13	39/19	1.264	36AH	6.5	3.0	29.6	748	D
5336.34HT	Thames/ACSS/TW	1334.6	13	39/19	1.290	36AH	6.5	3.0	29.6	748	D
5336.3HT	Dipper/ACSS/TW	1351.5	7	35/7	1.256	36AH	6.5	3.0	29.6	748	D
5338.3HT	Martin/ACSS/TW	1351.5	13	39/19	1.300	38AH	7.3	3.3	30.1	762	D
5336.3HT	Mackenzie/ACSS/TW	1359.7	7	36/7	1.259	36AH	6.5	3.0	29.6	748	D
5334.3HT	Truckee/ACSS/TW	1372.5	5	30/7	1.248	34AH	6.3	2.9	28.7	725	D
5338.3HT	Bobolink/ACSS/TW	1431.0	7	36/7	1.291	38AH	7.3	3.3	30.1	762	D
5338.3HT	Plover/ACSS/TW	1431.0	13	37/19	1.337	38AH	7.3	3.3	30.1	762	D
5338.3HT	Merrimack/ACSS/TW	1433.6	13	39/19	1.340	38AH	7.3	3.3	31.1	787	D
5338.3HT	Miramichi/ACSS/TW	1455.3	7	36/7	1.302	38AH	7.3	3.3	31.1	787	D
5338.3HT	St. Croix/ACSS/TW	1467.8	5	33/7	1.292	38AH	7.3	3.3	31.1	787	D
5338.3HT	Rio Grande/ACSS/TW	1533.3	13	39/19	1.382	38AH	7.3	3.3	31.1	787	D
5338.3HT	Potomac/ACSS/TW	1557.4	7	36/7	1.345	38AH	7.3	3.3	31.1	787	D
5338.3HT	Platte/ACSS/TW	1569.0	5	33/7	1.334	38AH	7.3	3.3	31.1	787	D
5340.3HT	Lapwing/ACSS/TW	1590.0	7	36/7	1.358	40AH	8.4	3.8	30.7	776	E
5340.3HT	Falcon/ACSS/TW	1590.0	13	42/19	1.408	40AH	8.4	3.8	30.7	776	E
5340.3HT	Pecos/ACSS/TW	1622.0	13	39/19	1.424	40AH	8.4	3.8	30.7	776	E
5340.3HT	Schuykill/ACSS/TW	1657.4	7	36/7	1.386	40AH	8.4	3.8	30.7	776	E
5342.3HT	James/ACSS/TW	1730.6	13	34/19	1.470	42AH	10.4	4.7	31.6	800	E
5340.3HT	Pee Dee/ACSS/TW	1758.6	7	37/7	1.427	40AH	8.4	3.8	30.7	776	E
5342.3HT	Chukar/ACSS/TW	1780.0	8	37/19	1.445	42AH	10.4	4.7	31.6	800	E
5342.3HT	Cumberland/ACSS/TW	1926.9	13	42/19	1.545	42AH	10.4	4.7	31.6	800	E
5342.3HT	Athabaska/ACSS/TW	1949.6	7	42/7	1.504	42AH	10.4	4.7	31.6	800	E
5344.3HT	Powder/ACSS/TW	2153.8	8	64/19	1.602	44AH	11.9	5.4	33.6	849	E
5344.3HT	Bluebird/ACSS/TW	2156.0	8	64/19	1.608	44AH	11.9	5.4	33.6	849	E
5348.3HT	Santee/ACSS/TW	2627.3	8	64/19	1.762	48AH	13.4	6.1	35.0	885	E

ACSS/TW ACCESSORIES