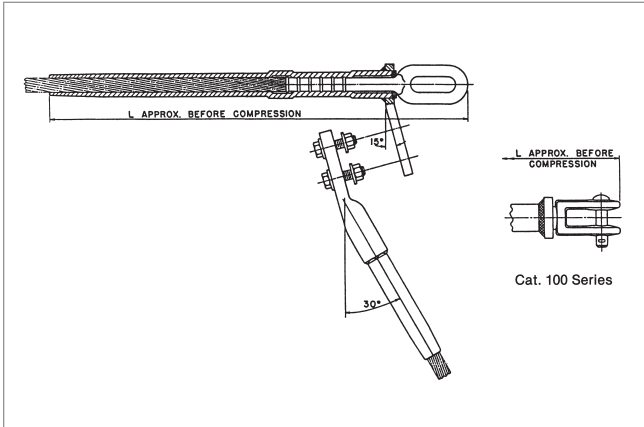


Compression Dead Ends—33700 Series for AAAC and ACAR Conductors, Eye Type, Single Tongue



The 33700 Series Dead End Assembly is specifically designed for AAAC and ACAR conductors. The aluminum body of the dead end is fabricated from AFL seamless drawn aluminum. The tongue and terminal pad are constructed with a 15° angle, which permits the terminal connector to be bolted in the straight or 30° position.

All dead ends are designed for full tension use, achieving a minimum of 95% of the ASTM rated strength of the conductor on which they are used. Each dead end assembly comes with a dead end body, steel eye, 15° terminal and aluminum hardware.

For die size sections 30AH and above, the end tapers of the compression portions of all compression accessories are supplied with a high voltage finish. Corona bolts are furnished as standard on 15° terminals for these section sizes.

The square edges of bolted pads on compression accessories could cause Corona in environments greater than or equal to 345 kV. Pads with edges and corners rounded can be supplied by adding the catalog suffix "EHV".

Ordering Instructions

Step 1: Assembly Catalog Number

Determine the assembly catalog number based on the conductor being used.

Step 2: Terminal Connector

For an assembly without a terminal connector, use 'NT'.
For an assembly with a terminal connector, leave blank.

Step 3: Extra High Voltage Finish

For Extra High Voltage Finish, use 'EHV'.
For Standard Finish, leave blank.

Step 4: Assemble Catalog Number.



Example:

For 927.2 Greeley conductor with no terminal, the complete catalog number is:

E33714NT

Notes:

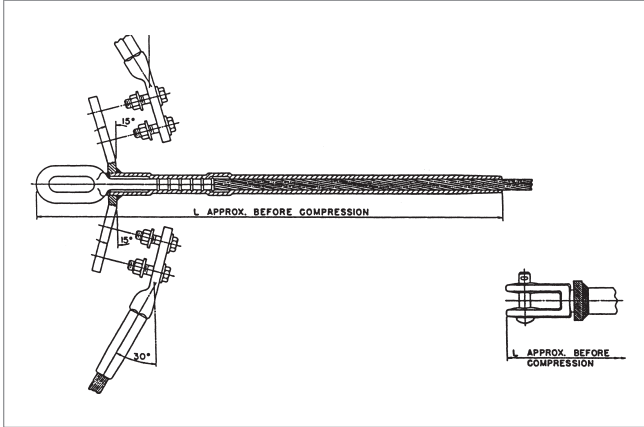
1. Eye Dimensions are on page 119.
2. Pad Dimensions are on page 117.
3. AFL Filler Compound (AFC) Requirements are on page 115.
4. Installation Instructions for Dead Ends are on page 133.
5. Installation Instructions for Terminals are on page 131.

Compression Dead Ends—33700 Series for AAC and ACAR Conductors, Eye Type, Single Tongue (cont.)

DEAD END ASSEMBLY CATALOG NUMBER	CONDUCTOR				ALUMINUM BODY SINGLE TONGUE	STEEL COMPONENT STEEL EYE	15° TERMINAL CONNECTOR	DIE SIZE ALUMINUM HEX DIES	TOTAL WEIGHT		DIMENSION L		PAD SIZE
	CODE WORD	SIZE	STRANDING	DIA.					LBS	KG	IN	MM	
		KCMIL	AL	IN									
E33703	—	155.4	4/3	0.447	7612.484	9000	5112.484	12AH	2.6	1.16	16.0	406	B
E33703	Anaheim	155.4	7	0.447	7612.484	9000	5112.484	12AH	2.6	1.16	16.0	406	B
E33704	—	195.7	4/3	0.502	7613.542	9000	5113.542	13AH	3.0	1.38	16.0	406	B
E33704	Amherst	195.7	7	0.502	7613.542	9000	5113.542	13AH	3.0	1.38	16.0	406	B
E33705	—	246.9	4/3	0.563	7613.625	9100	5113.625	13AH	3.0	1.57	17.0	432	B
E33705	Alliance	246.9	7	0.563	7613.625	9100	5113.625	13AH	3.0	1.57	17.0	432	B
E33707	Butte	312.8	19	0.642	7614.719	9100	5114.719	14AH	4.0	1.81	17.8	451	B
E33708	Canton	394.5	19	0.721	7624.781	9200	5124.781	24AH	6.1	2.77	20.3	516	B
E33709	Cairo	465.4	19	0.783	7624.875C	9200	5124.875	24AH	5.9	2.68	21.6	548	B
E33709	—	503.6	15/4	0.814	7624.875C	9200	5124.875	24AH	5.9	2.68	21.6	548	B
E33710	Darlen	559.5	19	0.858	7627.906	9300	5127.906	27AH	8.0	3.63	23.3	591	D
E33712	—	634.9	12/7	0.914	7627.100	9200	5127.100	27AH	7.2	3.27	23.3	592	D
E33716	—	649.5	18/19	0.928	7627.100C	9300	5127.100	27AH	7.8	3.54	23.3	592	D
E33716	—	649.5	24/13	0.928	7627.100C	9300	5127.100	27AH	7.8	3.54	23.3	592	D
E33716	—	649.5	30/7	0.928	7627.100C	9300	5127.100	27AH	7.8	3.54	23.3	592	D
E33713	Elgin	652.4	19	0.927	7630.109	9300	5130.109	30AH	9.7	4.40	24.8	629	D
E33712	—	657.3	15/4	0.930	7627.100	9200	5127.100	27AH	7.2	3.29	23.3	592	D
E33713	Flint	740.8	37	0.991	7630.109	9300	5130.109	30AH	9.7	4.40	24.8	629	D
E33717	—	853.7	18/19	1.063	7630.116	9300	5130.116	30AH	8.9	4.04	21.6	548	D
E33717	—	853.7	24/13	1.063	7630.116	9300	5130.116	30AH	8.9	4.04	21.6	548	D
E33717	—	853.7	30/7	1.063	7630.116	9300	5130.116	30AH	8.9	4.04	21.6	548	D
E33714	Greeley	927.2	37	1.108	7634.122	9300	5134.122	34AH	11.9	5.40	25.3	641	D
E33714	—	927.2	18/19	1.108	7634.122	9300	5134.122	34AH	11.9	5.40	25.3	641	D
E33714	—	927.2	24/13	1.108	7634.122	9300	5134.122	34AH	11.9	5.40	25.3	641	D
E33714	—	927.2	30/7	1.108	7634.122	9300	5134.122	34AH	11.9	5.40	25.3	641	D
E33714	—	1024.5	18/19	1.165	7634.122	9300	5134.122	34AH	11.9	5.40	25.3	641	D
E33714	—	1024.5	24/13	1.165	7634.122	9300	5134.122	34AH	11.9	5.40	25.3	641	D
E33714	—	1024.5	30/7	1.165	7634.122	9300	5134.122	34AH	11.9	5.40	25.3	641	D
E33715	—	1080.6	18/19	1.196	7634.128	9400	5134.128	34AH	12.8	5.81	27.0	686	D
E33715	—	1080.6	24/13	1.196	7634.128	9400	5134.128	34AH	12.8	5.81	27.0	686	D
E33715	—	1080.6	30/7	1.196	7634.128	9400	5134.128	34AH	12.8	5.81	27.0	686	D
E33715	—	1108.6	24/13	1.212	7634.128	9400	5134.128	34AH	12.8	5.81	27.0	686	D
E33715	—	1172.3	18/19	1.246	7634.128	9400	5134.128	34AH	12.8	5.81	27.0	686	D
E33715	—	1172.3	24/13	1.246	7634.128	9400	5134.128	34AH	12.8	5.81	27.0	686	D
E33723	—	1127.0	42/19	1.222	7638.138	E9500	5138.138	38AH	14.6	6.62	23.9	607	D
E33718	—	1534.0	42/19	1.427	7638.150	E9600	5138.150	38AH	14.2	6.44	24.3	617	D
E33718	—	1534.0	54/7	1.427	7638.150	E9600	5138.150	38AH	14.2	6.44	24.3	617	D
E33719	—	1700.0	42/19	1.502	7640.162	E9600	5140.162	40AH	16.5	7.48	24.3	617	E
E33719	—	1700.0	54/7	1.502	7640.162	E9600	5140.162	40AH	16.5	7.48	24.3	617	E
E33722	—	1691.0	—	1.498	7644.159	E9700	5144.159	44AH	23.2	10.52	25.6	649	E
E33720	—	2303.5	54/37	1.750	7648.184	E9800	5148.184	48AH	26.1	11.83	27.3	694	E
E33720	—	2303.5	63/28	1.750	7648.184	E9800	5148.184	48AH	26.1	11.83	27.3	694	E
E33720	—	2338.0	42/19	1.762	7648.184	E9800	5148.184	48AH	26.1	11.83	27.3	694	E

AAC & ACAR ACCESSORIES

Compression Dead Ends—43100 Series for AAAC and ACAR Conductors, Eye Type, Double Tongue



The 43100 Series Double Tongue Dead End Assembly is specifically designed for AAAC and ACAR conductors. The aluminum body of the dead end is fabricated from AFL seamless drawn aluminum. The tongue and terminal pad are constructed with a 15° angle, which permits the terminal connector to be bolted in the straight or 30° position.

All dead ends are designed for full tension use, achieving a minimum of 95% of the ASTM rated strength of the conductor on which they are used. Each dead end assembly comes with a dead end body, steel eye, two 15° terminals and aluminum hardware.

For die size sections 30AH and above, the end tapers of the compression portions of all compression accessories are supplied with a high voltage finish. Corona bolts are furnished as standard on 15° terminals for these section sizes.

The square edges of bolted pads on compression accessories could cause Corona in environments greater than or equal to 345 kV. Pads with edges and corners rounded can be supplied by adding the catalog suffix "EHV".

Ordering Instructions

Step 1: Assembly Catalog Number

Determine the assembly catalog number based on the conductor being used.

Step 2: Terminal Connector

For an assembly without a terminal connector, use 'NT'.
For an assembly with a terminal connector, leave blank.

Step 3: Extra High Voltage Finish

For Extra High Voltage Finish, use 'EHV'.
For Standard Finish, leave blank.

Step 4: Assemble Catalog Number.



Example:

For 927.2 Greeley conductor with no terminal, the complete catalog number is:

E43114NT

Notes:

1. Eye Dimensions are on page 119.
2. Pad Dimensions are on page 117.
3. AFL Filler Compound (AFC) Requirements are on page 115.
4. Installation Instructions for Dead Ends are on page 133.
5. Installation Instructions for Terminals are on page 131.

Compression Dead Ends—43100 Series for AAAC and ACAR Conductors, Eye Type, Double Tongue (cont.)

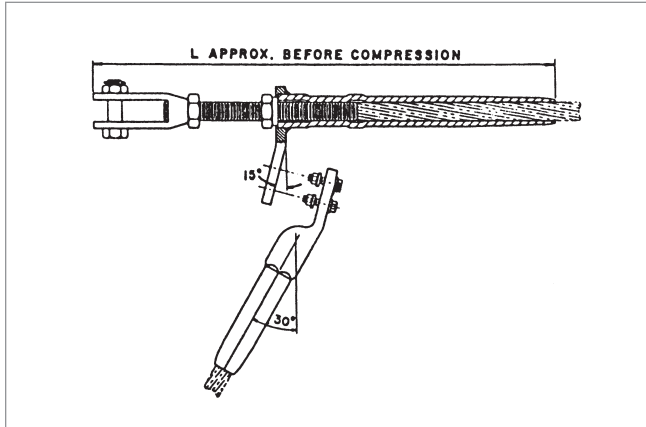
DEAD END ASSEMBLY CATALOG NUMBER	CONDUCTOR				ALUMINUM BODY DOUBLE TONGUE	STEEL EYE	15° TERMINAL CONNECTOR	DIE SIZE	TOTAL WEIGHT		DIMENSION L		PAD SIZE
	CODE WORD	SIZE	STRANDING	DIA.				ALUM. HEX DIES	LBS	KG	IN	MM	
		KCMIL	AL	IN									
E43103	—	155.4	4/3	0.447	7712.484	9000	5112.484	12AH	2.9	1.30	16.0	406	B
E43103	Anaheim	155.4	7	0.447	7712.484	9000	5112.484	12AH	2.9	1.30	16.0	406	B
E43104	—	195.7	4/3	0.502	7713.542	9000	5113.542	13AH	3.3	1.51	16.0	406	B
E43104	Amherst	195.7	7	0.502	7713.542	9000	5113.542	13AH	3.3	1.51	16.0	406	B
E43105	—	246.9	4/3	0.563	7713.625	9100	5113.625	13AH	3.3	1.50	17.0	432	B
E43105	Alliance	246.9	7	0.563	7713.625	9100	5113.625	13AH	3.3	1.50	17.0	432	B
E43107	Butte	312.8	19	0.642	7714.719	9100	5114.719	14AH	4.5	2.04	17.8	451	B
E43108	Canton	394.5	19	0.721	7724.781	9200	5124.781	24AH	6.6	3.00	20.3	516	B
E43109	Cario	465.4	19	0.783	7724.875C	9200	5124.875	24AH	6.4	2.91	21.6	548	B
E43109	—	503.6	15/4	0.814	7724.875C	9200	5124.875	24AH	6.4	2.91	21.6	548	B
E43110	Darien	559.5	19	0.858	7727.906	9300	5127.906	27AH	8.5	3.85	23.3	591	D
E43112	—	634.9	12/7	0.914	7727.100	9200	5127.100	27AH	7.7	3.49	23.3	592	D
E43112	—	657.3	15/4	0.930	7727.100	9200	5127.100	27AH	7.7	3.51	23.3	592	D
E43113	Flint	740.8	37	0.991	7730.109	9300	5130.109	30AH	9.9	4.49	24.8	629	D
E43113	Elgin	652.4	19	0.927	7730.109	9300	5130.109	30AH	9.9	4.49	24.8	629	D
E43114	Greeley	927.2	37	1.108	7734.122	9300	5134.122	34AH	12.0	5.45	25.3	641	D
E43114	—	927.2	18/19	1.108	7734.122	9300	5134.122	34AH	12.0	5.45	25.3	641	D
E43114	—	927.2	24/13	1.108	7734.122	9300	5134.122	34AH	12.0	5.45	25.3	641	D
E43114	—	927.2	30/7	1.108	7734.122	9300	5134.122	34AH	12.0	5.45	25.3	641	D
E43114	—	1024.5	18/19	1.165	7734.122	9300	5134.122	34AH	12.0	5.45	25.3	641	D
E43114	—	1024.5	24/13	1.165	7734.122	9300	5134.122	34AH	12.0	5.45	25.3	641	D
E43114	—	1024.5	30/7	1.165	7734.122	9300	5134.122	34AH	12.0	5.45	25.3	641	D
E43115	—	1080.6	18/19	1.196	7734.128	9400	5134.128	34AH	12.9	5.85	27.0	686	D
E43115	—	1080.6	24/13	1.196	7734.128	9400	5134.128	34AH	12.9	5.85	27.0	686	D
E43115	—	1080.6	30/7	1.196	7734.128	9400	5134.128	34AH	12.9	5.85	27.0	686	D
E43115	—	1108.6	24/13	1.212	7734.128	9400	5134.128	34AH	12.9	5.85	27.0	686	D
E43115	—	1172.3	18/19	1.246	7734.128	9400	5134.128	34AH	12.9	5.85	27.0	686	D
E43115	—	1172.3	24/13	1.246	7734.128	9400	5134.128	34AH	12.9	5.85	27.0	686	D
E43116	—	649.5	18/19	0.928	7727.100C	9300	5127.100	27AH	8.3	3.76	23.3	592	D
E43116	—	649.5	24/13	0.928	7727.100C	9300	5127.100	27AH	8.3	3.76	23.3	592	D
E43116	—	649.5	30/7	0.928	7727.100C	9300	5127.100	27AH	8.3	3.76	23.3	592	D
E43117	—	853.7	24/13	1.063	7730.116	9300	5130.116	30AH	9.1	4.13	21.6	548	D
E43117	—	853.7	30/7	1.063	7730.116	9300	5130.116	30AH	9.1	6.13	21.6	548	D
E43117	—	853.7	18/19	1.063	7730.116	9300	5130.116	30AH	9.1	6.13	21.6	548	D

AAAC & ACAR ACCESSORIES

Compression Dead Ends—43100 Series for AAC and ACAR Conductors, Eye Type, Double Tongue (cont.)

DEAD END ASSEMBLY CATALOG NUMBER	CONDUCTOR				ALUMINUM BODY DOUBLE TONGUE	STEEL EYE	15° TERMINAL CONNECTOR	DIE SIZE	TOTAL WEIGHT		DIMENSION L		PAD SIZE
	CODE WORD	SIZE	STRANDING	DIA.					LBS	KG	IN	MM	
		KCMIL	AL	IN									
E43118	—	1534.0	42/19	1.427	7738.150	E9600	5138.150	38AH	15.3	6.49	24.3	617	D
E43118	—	1534.0	54/7	1.427	7738.150	E9600	5138.150	38AH	15.3	6.49	24.3	617	D
E43119	—	1700.0	42/19	1.502	7740.162	E9600	5140.162	40AH	18.3	8.30	24.3	617	D
E43119	—	1700.0	54/7	1.502	7741.162	E9600	5140.162	40AH	18.3	8.30	24.3	617	E
E43120	—	2303.5	54/37	1.750	7748.184	E9800	5148.184	48AH	27.1	12.29	27.3	694	E
E43120	—	2303.5	63/28	1.750	7748.184	E9800	5148.184	48AH	27.1	12.29	27.3	694	E
E43120	—	2338.0	42/19	1.762	7748.184	E9800	5148.184	48AH	27.1	12.29	27.3	694	E
E43120	—	2303.5	—	1.750	7748.184	E9800	5148.184	48AH	27.1	12.29	27.3	694	E
E43120	—	2303.5	—	1.750	7748.184	E9800	5148.184	48AH	27.1	12.29	27.3	694	E
E43120	—	2338.0	—	1.762	7748.184	E9800	5148.184	48AH	27.1	12.29	27.3	694	E
E43122	—	1691.0	—	1.498	7744.159	E9700	5144.159	44AH	23.6	10.71	25.6	649	E
E43122	—	1691.0	—	1.498	7744.159	E9700	5144.159	44AH	23.6	10.71	25.6	649	E
E43123	—	1127.0	42/19	1.222	7738.138	E9500	5138.138	38AH	15.5	7.03	23.9	607	D

Compression Dead Ends—43400 Series for AAAC and ACAR Conductors, Adjustable Clevis Type, Single Tongue



The 43400 Series Adjustable Clevis Dead End Assembly is specifically designed for AAAC and ACAR conductors. The aluminum body of the dead end is fabricated from AFL seamless drawn aluminum. The tongue and terminal pad are constructed with a 15° angle, which permits the terminal connector to be bolted in the straight of 30° position.

All dead ends are designed for full tension use, achieving a minimum of 95% of the ASTM rated strength of the conductor on which they are used. Each dead end assembly comes with a dead end body, adjustable steel clevis, 15° terminal and aluminum hardware.

For die size sections 30AH and above, the end tapers of the compression portions of all compression accessories are supplied with a high voltage finish. Corona bolts are furnished as standard on 15° terminals for these section sizes.

The square edges of bolted pads on compression accessories could cause Corona in environments greater than or equal to 345 kV. Pads with edges and corners rounded can be supplied by adding the catalog suffix "EHV".

Ordering Instructions

Step 1: Assembly Catalog Number

Determine the assembly catalog number based on the conductor being used.

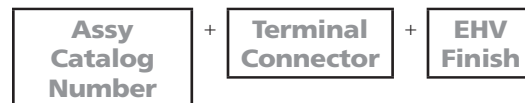
Step 2: Terminal Connector

For an assembly without a terminal connector, use 'NT'.
For an assembly with a terminal connector, leave blank.

Step 3: Extra High Voltage Finish

For Extra High Voltage Finish, use 'EHV'.
For Standard Finish, leave blank.

Step 4: Assemble Catalog Number.



Example:

For 394.5 Canton conductor with no terminal, the complete catalog number is:

C43408NT

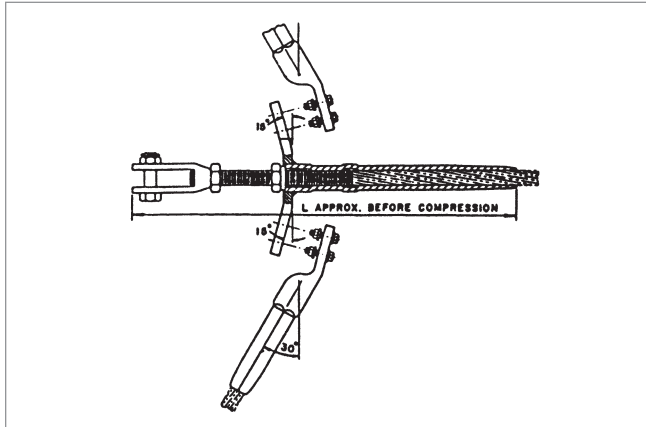
Notes:

1. Adjustable Clevis Dimensions are on page 120.
2. Pad Dimensions are on page 117.
3. AFL Filler Compound (AFC) Requirements are on page 115.
4. Installation Instructions for Dead Ends are on page 133.
5. Installation Instructions for Terminals are on page 131.

Compression Dead Ends—43400 Series for AAAC and ACAR Conductors, Adjustable Clevis Type, Single Tongue (cont.)

DEAD END ASSEMBLY CATALOG NUMBER	CONDUCTOR				ALUMINUM BODY SINGLE TONGUE	ADJUSTABLE STEEL CLEVIS	15° TERMINAL CONNECTOR	DIE SIZE		TOTAL WEIGHT		DIMENSION L		PAD SIZE
	CODE WORD	SIZE	STRANDING	DIA.				ALUMINUM HEX DIES	LBS	KG	IN	MM		
		KCMIL	AL	IN										
C43408	Canton	394.5	19	0.721	7624.781C	C6100	5124.781	24AH	8.2	3.58	27.1	687	B	
C43409	Cairo	465.4	19	0.783	7624.875	C6100	5124.875	24AH	8.0	3.49	28.4	721	B	
C43409	—	503.6	15/4	0.814	7624.875	C6100	5124.875	24AH	8.0	3.49	28.4	721	B	
C43410	Darien	559.5	19	0.858	7627.906C	C6200	5127.906	27AH	10.6	4.54	30.0	762	D	
C43412	—	634.9	12/7	0.914	7627.100	C6200	5127.100	27AH	9.9	4.45	30.2	768	D	
C43416	—	649.5	18/19	0.928	7627.100C	C6200	5127.100	27AH	10.5	4.45	30.2	768	D	
C43416	—	649.5	24/13	0.928	7627.100C	C6200	5127.100	27AH	10.5	4.45	30.2	768	D	
C43416	—	649.5	30/7	0.928	7627.100C	C6200	5127.100	27AH	10.5	4.45	30.2	768	D	
C43413	Elgin	652.4	19	0.927	7630.109C	C6300	5130.109	30AH	16.2	6.89	33.2	846	D	
C43412	—	657.3	15/4	0.930	7627.100	C6200	5127.100	27AH	11.6	4.45	30.2	768	D	
C43417	—	853.7	18/19	1.063	7630.116	C6300	5130.116	30AH	15.4	6.53	30.6	776	D	
C43417	—	853.7	24/13	1.063	7630.116	C6300	5130.116	30AH	15.4	6.53	30.6	776	D	
C43417	—	853.7	30/7	1.063	7630.116	C6300	5130.116	30AH	15.4	6.53	30.6	776	D	
C43414	—	927.2	18/19	1.106	7634.122C	C6400	5134.122	34AH	19.1	8.26	34.6	878	D	
C43414	—	927.2	24/13	1.106	7634.122C	C6400	5134.122	34AH	19.1	8.26	34.6	878	D	
C43414	—	927.2	30/7	1.106	7634.122C	C6400	5134.122	34AH	19.1	8.26	34.6	878	D	
C43414	—	1024.5	18/19	1.165	7634.122C	C6400	5134.122	34AH	18.1	8.26	34.6	878	D	
C43414	—	1024.5	24/13	1.165	7634.122C	C6400	5134.122	34AH	18.1	8.26	34.6	878	D	
C43414	—	1024.5	30/7	1.165	7634.122C	C6400	5134.122	34AH	18.1	8.26	34.6	878	D	
C43415	—	1080.6	18/19	1.196	7634.128	C6400	5134.128	34AH	19.3	8.35	36.2	919	D	
C43415	—	1080.6	24/13	1.196	7634.128	C6400	5134.128	34AH	19.3	8.35	36.2	919	D	
C43415	—	1080.6	30/7	1.196	7634.128	C6400	5134.128	34AH	19.3	8.35	36.2	919	D	
C43415	—	1108.6	24/13	1.212	7634.128	C6400	5134.128	34AH	20.1	8.35	36.2	919	D	
C43415	—	1172.3	18/19	1.246	7634.128	C6400	5134.128	34AH	16.9	8.35	36.2	919	D	
C43415	—	1172.3	24/13	1.246	7634.128	C6400	5134.128	34AH	16.9	8.35	36.2	919	D	
C43418	—	1534.0	42/19	1.427	7638.150	C6500	5138.150	38AH	17.3	9.03	33.4	848	D	
C43418	—	1534.0	54/7	1.427	7638.150	C6500	5138.150	38AH	17.3	9.03	33.4	848	D	
C43419	—	1700.0	42/19	1.502	7640.162	C6600	5140.162	40AH	22.7	11.84	35.9	913	E	
C43419	—	1700.0	54/7	1.502	7640.162	C6600	5140.162	40AH	22.7	11.84	35.9	913	E	

Compression Dead Ends—43500 Series for AAAC and ACAR Conductors, Adjustable Clevis Type, Double Tongue



The 43500 Series Adjustable Clevis Dead End assembly is specifically designed for AAAC and ACAR conductors. The aluminum body of the dead end is fabricated from AFL seamless drawn aluminum. The tongue and terminal pad are constructed with a 15° angle, which permits the terminal connector to be bolted in the straight of 30° position.

All dead ends are designed for full tension use, achieving a minimum of 95% of the ASTM rated strength of the conductor on which they are used. Each dead end assembly comes with a dead end body, adjustable steel clevis, two 15° terminals and aluminum hardware.

For die size sections 30AH and above, the end tapers of the compression portions of all compression accessories are supplied with a high voltage finish. Corona bolts are furnished as standard on 15° terminals for these section sizes.

The square edges of bolted pads on compression accessories could cause Corona in environments greater than or equal to 345 kV. Pads with edges and corners rounded can be supplied by adding the catalog suffix "EHV".

Ordering Instructions

Step 1: Assembly Catalog Number

Determine the assembly catalog number based on the conductor being used.

Step 2: Terminal Connector

For an assembly without a terminal connector, use 'NT'.
For an assembly with a terminal connector, leave blank.

Step 3: Extra High Voltage Finish

For Extra High Voltage Finish, use 'EHV'.
For Standard Finish, leave blank.

Step 4: Assemble Catalog Number.



Example:

For 652.4 Elgin conductor with no terminal and EHV finish, the complete catalog number is:

C43513NTEHV

Notes:

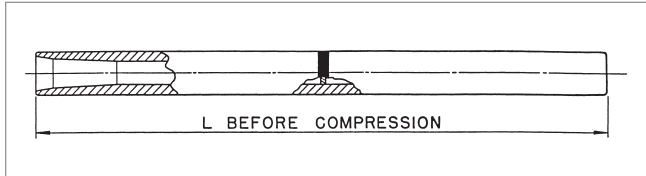
1. Adjustable Clevis Dimensions are on page 120.
2. Pad Dimensions are on page 117.
3. AFL Filler Compound (AFC) Requirements are on page 115.
4. Installation Instructions for Dead Ends are on page 133.
5. Installation Instructions for Terminals are on page 131.

Compression Dead Ends—43500 Series for AAAC and ACAR Conductors, Adjustable Clevis Type, Double Tongue (cont.)

DEAD END ASSEMBLY CATALOG NUMBER	CONDUCTOR				ALUMINUM BODY DOUBLE TONGUE	ADJUSTABLE STEEL CLEVIS	15° TERMINAL CONNECTOR	DIE SIZE	TOTAL WEIGHT		DIMENSION L		PAD SIZE
	CODE WORD	SIZE	STRANDING	DIA.					ALUMINUM HEX DIES	LBS	KG	IN	
		KCMIL	AL	IN									
C43508	Canton	394.5	19	0.721	7724.781C	C6100	5124.781	24AH	8.7	3.81	27.1	687	B
C43509	Cairo	465.4	19	0.783	7724.875	C6100	5124.875	24AH	8.5	3.72	28.4	721	B
C43509	—	503.6	15/4	0.814	7724.875	C6100	5124.875	24AH	8.5	3.72	28.4	721	B
C43510	Darien	559.5	19	0.858	7727.906C	C6200	5127.906	27AH	11.1	4.76	30.0	762	D
C43512	—	634.9	12/7	0.914	7727.100	C6200	5127.100	27AH	10.3	4.67	30.2	768	D
C43516	—	649.5	18/19	0.928	7727.100C	C6200	5127.100	27AH	11.0	4.67	30.3	768	D
C43516	—	649.5	24/13	0.928	7727.100C	C6200	5127.100	27AH	11.0	4.67	30.3	768	D
C43516	—	649.5	30/7	0.928	7727.100C	C6200	5127.100	27AH	11.0	4.67	30.3	768	D
C43513	Elgin	652.4	19	0.927	7730.109C	C6300	5130.109	30AH	16.4	6.98	33.3	846	D
C43512	—	657.3	15/4	0.930	7727.100	C6200	5127.100	27AH	12.1	4.67	30.3	768	D
C43517	—	853.7	18/19	1.063	7730.116	C6300	5130.116	30AH	15.6	6.62	30.6	776	D
C43517	—	853.7	24/13	1.063	7730.116	C6300	5130.116	30AH	15.6	6.62	30.6	776	D
C43517	—	853.7	30/7	1.063	7730.116	C6300	5130.116	30AH	15.6	6.62	30.6	776	D
C43514	—	927.2	18/19	1.106	7734.122C	C6400	5134.122	34AH	18.2	8.31	34.6	878	D
C43514	—	927.2	24/13	1.106	7734.122C	C6400	5134.122	34AH	18.2	8.31	34.6	878	D
C43514	—	927.2	30/7	1.106	7734.122C	C6400	5134.122	34AH	18.2	8.31	34.6	878	D
C43514	—	1024.5	18/19	1.165	7734.122C	C6400	5134.122	34AH	18.2	8.31	34.6	878	D
C43514	—	1024.5	24/13	1.165	7734.122C	C6400	5134.122	34AH	18.2	8.31	34.6	878	D
C43514	—	1024.5	30/7	1.165	7734.122C	C6400	5134.122	34AH	18.2	8.31	34.6	878	D
C43515	—	1080.6	18/19	1.196	7734.128	C6400	5134.128	34AH	19.4	8.39	36.2	919	D
C43515	—	1080.6	24/13	1.196	7734.128	C6400	5134.128	34AH	19.4	8.39	36.2	919	D
C43515	—	1080.6	30/7	1.196	7734.128	C6400	5134.128	34AH	19.4	8.39	36.2	919	D
C43515	—	1108.6	24/13	1.212	7734.128	C6400	5134.128	34AH	20.2	8.39	36.2	919	D
C43515	—	1172.3	18/19	1.246	7734.128	C6400	5134.128	34AH	20.2	8.39	36.2	919	D
C43515	—	1172.3	24/13	1.246	7734.128	C6400	5134.128	34AH	20.2	8.39	36.2	919	D
C43515	—	1534.0	42/19	1.427	7734.128	C6400	5134.128	34AH	17.0	8.39	36.2	919	D
C43518	—	1534.0	54/7	1.427	7738.150	C6500	5138.150	38AH	17.4	9.08	33.4	848	D
C43518	—	1700.0	42/19	1.502	7738.150	C6500	5138.150	38AH	17.4	9.08	33.4	848	D
C43519	—	1700.0	54/7	1.502	7740.162	C6600	5140.162	40AH	24.5	12.66	35.9	913	E

AAAC & ACAR ACCESSORIES

Compression Joints – Jiffy Joints—7500 Series for AAC and ACAR Conductors



The 7500 Series Compression Joint (Jiffy Joint) is designed for AAC and ACAR conductors. The aluminum body is fabricated from AFL seamless drawn aluminum. The compression joint is a single piece unit without a steel sleeve and comes prefilled with AFL Filler Compound (AFC).

All compression joints are designed for full tension use, achieving a minimum of 95% of the ASTM rated strength of the conductor on which they are used.

For die size sections 30AH and above, the end tapers of the compression portions of all compression accessories are supplied with a high voltage finish.

Ordering Instructions

Step 1: Assembly Catalog Number

Determine the assembly catalog number based on the conductor being used.

Example:

For 312.8 Butte conductor, the complete catalog number is:

7514.719

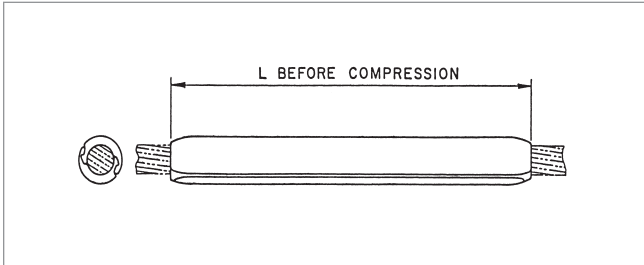
AAC & ACAR ACCESSORIES

JOINT CATALOG NUMBER	CONDUCTOR			DIE SIZE		WEIGHT		COLOR CODE	DIMENSION L	
	CODE NAME	SIZE	DIA.	ALUMINUM HEX DIES	LBS	KG	IN		MM	
		KCMIL	IN							
7506.250	Akron	30.58	0.198	06AH	0.2	0.08	Blue	10.5	267	
7506.298	Alton	48.69	0.250	06AH	0.2	0.08	Orange	12.0	305	
7509.375	Ames	77.47	0.316	09AH	0.3	0.15	Red	12.0	305	
7511.453	Azuza	123.3	0.398	11AH	0.6	0.28	Yellow	14.0	356	
7512.484	Anaheim	155.4	0.447	12AH	0.8	0.37	Gray	14.0	356	
7513.542	Amherst	195.7	0.502	13AH	1.1	0.50	Black	14.0	356	
7513.625	Alliance	246.9	0.563	13AH	1.1	0.50	Pink	16.0	406	
7513.688	—	281.4	0.609	13AH	1.0	0.45	Clear	16.0	406	
7514.719	Butte	312.8	0.642	14AH	1.6	0.73	Clear	15.6	395	
7514.719	—	355.1	0.684	14AH	1.6	0.73	Clear	15.6	395	
7524.781	Canton	394.5	0.721	24AH	2.8	1.27	Clear	19.6	497	
7524.781	—	419.6	0.743	24AH	2.8	1.27	Clear	19.6	497	
7524.875	Cairo	465.4	0.783	24AH	2.8	1.27	Clear	22.1	560	
7524.875	—	503.6	0.814	24AH	2.8	1.27	Clear	22.1	560	
7527.906	Darien	559.5	0.858	27AH	3.6	1.63	Clear	24.5	622	
7527.906	—	561.1	0.862	27AH	3.6	1.63	Clear	24.5	622	
7527.938	—	587.2	0.879	27AH	3.6	1.63	Clear	25.0	635	
7530.109	Elgin	652.4	0.927	30AH	4.6	2.09	Clear	27.5	699	
7530.109	Flint	740.8	0.991	30AH	4.6	2.09	Clear	27.5	699	
7534.122	Greeley	927.2	1.108	34AH	6.2	2.81	Clear	28.5	724	

Notes:

1. Joint are prefilled at factory.
2. Installation Instructions for Joints are on page 139.

Repair Sleeves—5200 Series for AAC and ACAR Conductors



The 5200 Series Repair Sleeve is designed for AAC and ACAR conductors. The repair sleeve incorporates an improved design of interlocking extrusions, providing a permanent grip on the conductor when compressed.

The repair sleeve will restore 95% of the rated strength of the conductor with up to one-third of the aluminum strands damaged.

Ordering Instructions

Step 1: Assembly Catalog Number

Determine the assembly catalog number based on the conductor being used.

Example:

For 652.4 Elgin conductor, the complete catalog number is:

5224.3

REPAIR SLEEVE AFL NO.	CONDUCTOR				DIE SIZE	WEIGHT		DIMENSION L	
	CODE NAME	SIZE	STRANDING	DIA.	ALUMINUM HEX DIE	LBS	KG	IN	MM
		KCMIL	AL	IN					
5274	—	155.4	4/3	0.447	74AH	0.2	0.10	7.6	175
5274	Anaheim	155.4	7	0.447	74AH	0.2	0.10	7.6	175
5275	—	195.7	4/3	0.502	75AH	0.4	0.18	8.6	217
5275	Amherst	195.7	7	0.502	75AH	0.4	0.18	8.6	217
5275	—	246.9	4/3	0.563	75AH	0.4	0.18	8.6	217
5275	Alliance	246.9	7	0.563	75AH	0.4	0.18	8.6	217
5276	Butte	312.8	19	0.642	76AH	0.7	0.30	10.0	254
5220.3	Canton	394.5	19	0.721	20AH	1.0	0.45	14.5	368
5220.3	Cairo	465.4	19	0.783	20AH	1.0	0.45	14.5	368
5220.3	—	503.6	15/4	0.814	20AH	1.0	0.45	14.5	368
5224.3	Darlen	559.5	19	0.858	24AH	1.7	0.77	15.5	394
5224.3	—	634.9	12/7	0.914	24AH	1.7	0.77	15.5	394
5224.3	—	649.5	18/19	0.928	24AH	1.7	0.77	15.5	394
5224.3	—	649.5	24/13	0.928	24AH	1.7	0.77	15.5	394
5224.3	—	649.5	30/7	0.928	24AH	1.7	0.77	15.5	394
5224.3	Elgin	652.4	19	0.927	24AH	1.7	0.77	15.5	394

Notes:

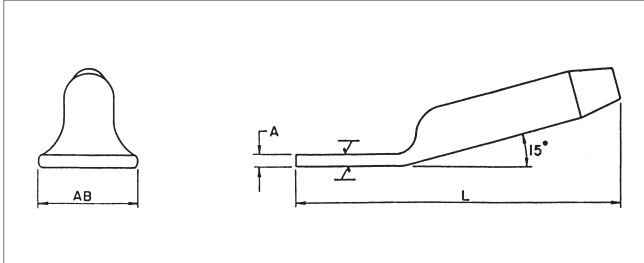
1. AFL Filler Compound (AFC) Requirements are on page 115.
2. Installation Instructions for Repair Sleeves are on page 142.

Repair Sleeves—5200 Series for AAC and ACAR Conductors (cont.)

REPAIR SLEEVE AFL NO.	CONDUCTOR				DIE SIZE	WEIGHT		DIMENSION L	
	CODE NAME	SIZE	STRANDING	DIA.	ALUMINUM HEX DIE	LBS	KG	IN	MM
		KCMIL	AL	IN					
5224.3	—	657.3	15/4	0.930	24AH	1.7	0.77	15.5	394
5227.3	Flint	740.8	37	0.991	27AH	2.6	1.18	18.3	464
5230.3	—	853.7	18/19	1.063	30AH	3.0	1.36	19.1	486
5230.3	—	853.7	24/13	1.063	30AH	3.0	1.36	19.1	486
5230.3	—	853.7	30/7	1.063	30AH	3.0	1.36	19.1	486
5230.3	Greeley	927.2	37	1.108	30AH	3.0	1.36	19.1	486
5230.3	—	927.2	18/19	1.108	30AH	3.0	1.36	19.1	486
5230.3	—	927.2	24/13	1.108	30AH	3.0	1.36	19.1	486
5230.3	—	927.2	30/7	1.108	30AH	3.0	1.36	19.1	486
5230.3	—	1024.5	18/19	1.165	30AH	3.0	1.36	19.1	486
5230.3	—	1024.5	24/13	1.165	30AH	3.0	1.36	19.1	486
5230.3	—	1024.5	30/7	1.165	30AH	3.0	1.36	19.1	486
5230.3	—	1080.6	18/19	1.196	30AH	3.0	1.36	19.1	486
5230.3	—	1080.6	24/13	1.196	30AH	3.0	1.36	19.1	486
5230.3	—	1080.6	30/7	1.196	30AH	3.0	1.36	19.1	486
5234.3	—	1108.6	24/13	1.212	34AH	4.2	1.91	20.1	511
5234.3	—	1172.3	18/19	1.246	34AH	4.2	1.91	20.1	511
5234.3	—	1172.3	24/13	1.246	34AH	4.2	1.91	20.1	511
5234.3	—	1127.0	42/19	1.222	34AH	4.2	1.91	20.1	511
5238.3	—	1534.0	42/19	1.427	38AH	5.2	2.36	21.9	556
5238.3	—	1534.0	54/7	1.427	38AH	5.2	2.36	21.9	556
5240.3	—	1700.0	42/19	1.502	40AH	6.1	2.77	22.8	578
5240.3	—	1700.0	54/7	1.502	40AH	6.1	2.77	22.8	578
5240.3	—	1691.0		1.498	40AH	6.1	2.77	22.8	578
5244.3	—	2303.5	54/37	1.750	44AH	8.7	3.95	24.5	622
5244.3	—	2303.5	63/28	1.750	44AH	8.7	3.95	24.5	622
5244.3	—	2338.0	42/19	1.762	44AH	8.7	3.95	24.5	622

AAC & ACAR
ACCESSORIES

Terminal Connectors—5100 Series for AAC and ACAR Conductors, 15°



The 5100 Series 15° Terminal Connector is designed for AAC and ACAR conductors. The terminal connector is fabricated from AFL seamless drawn aluminum.

When used with the dead end, the 15° terminal connector can be bolted in either the straight or 30° position. All terminal connectors are designed for limited tension use, maintaining a minimum of 40% of the ASTM rated strength of the conductor on which it is being used. Aluminum hardware is supplied with the 15° terminal connector.

Ordering Instructions

Step 1: Assembly Catalog Number

Determine the assembly catalog number based on the conductor being used.

Step 2: Extra High Voltage Finish

For Extra High Voltage Finish, use 'EHV'.
For Standard Finish, leave blank.

Step 3: Assemble Catalog Number.



Example:

For 927.2 Greeley conductor with an EHV finish, the complete catalog number is:

5134.122EHV

TERMINAL CATALOG NUMBER	CONDUCTOR				DIE SIZE	TOTAL WEIGHT		DIMENSIONS						PAD SIZE
	CODE WORD	SIZE	STRANDING	DIA. IN		LBS	KG	L		A		AB		
		KCMIL						IN	MM	MM	IN	MM		
5112.484	—	155.4	4/3	0.447	12AH	0.7	0.32	9.6	244	0.5	13	1.0	25	B
5112.484	Anaheim	155.4	7	0.447	12AH	0.7	0.32	9.6	244	0.5	13	1.0	25	B
5113.542	—	195.7	4/3	0.502	13AH	0.9	0.40	10.8	273	0.5	13	1.3	32	B
5113.542	Amherst	195.7	7	0.502	13AH	0.9	0.40	10.8	273	0.5	13	1.3	32	B
5113.625	—	246.9	4/3	0.563	13AH	0.9	0.39	11.2	284	0.4	11	1.3	32	B
5113.625	Alliance	246.9	7	0.563	13AH	0.9	0.39	11.2	284	0.4	11	1.3	32	B
5114.719	Butte	312.8	19	0.642	14AH	1.0	0.45	10.8	275	0.5	12	1.3	32	B
5124.781	Canton	394.5	19	0.721	24AH	1.8	0.82	12.4	314	0.7	18	1.5	38	B
5124.875	Cairo	465.4	19	0.783	24AH	1.6	0.73	12.6	319	0.6	16	1.5	38	B
5124.875	—	503.6	15/4	0.814	24AH	1.6	0.73	12.6	319	0.6	16	1.5	38	B

Notes:

1. Pad Dimensions are on page 117.
2. AFL Filler Compound (AFC) Requirements are on page 115.
3. Installation Instructions for Terminals are on page 131.
4. Supplied with aluminum hardware.

Terminal Connectors—5100 Series for AAC and ACAR Conductors, 15° (cont.)

TERMINAL CATALOG NUMBER	CONDUCTOR				DIE SIZE	TOTAL WEIGHT		DIMENSIONS						PAD SIZE
	CODE WORD	SIZE	STRANDING	DIA. IN		LBS	KG	L		A		AB		
		KCMIL						IN	IN	MM	IN	MM	IN	
5127.906	Darien	559.5	19	0.858	27AH	2.1	0.95	12.3	313	0.4	10	3.0	76	D
5127.100	—	634.9	12/7	0.914	27AH	1.9	0.86	12.3	313	0.4	10	3.0	76	D
5127.100	—	649.5	18/19	0.928	27AH	1.9	0.86	12.3	313	0.4	10	3.0	76	D
5127.100	—	649.5	24/13	0.928	27AH	1.9	0.86	12.3	313	0.4	10	3.0	76	D
5127.100	—	649.5	30/7	0.928	27AH	1.9	0.86	12.3	313	0.4	10	3.0	76	D
5130.109	Elgin	652.4	19	0.927	30AH	2.7	1.23	13.6	346	0.5	13	3.0	76	D
5127.100	—	657.3	15/4	0.930	27AH	1.9	0.86	12.3	313	0.4	10	3.0	76	D
5130.109	Flint	740.8	37	0.991	30AH	2.7	1.23	13.6	346	0.5	13	3.0	76	D
5130.116	—	853.7	18/19	1.063	30AH	2.6	1.18	13.9	354	0.5	12	3.0	76	D
5130.116	—	853.7	24/13	1.063	30AH	2.6	1.18	13.9	354	0.5	12	3.0	76	D
5130.116	—	853.7	30/7	1.063	30AH	2.6	1.18	13.9	354	0.5	12	3.0	76	D
5134.122	Greeley	927.2	37	1.108	34AH	3.7	1.68	14.1	359	0.7	18	3.0	76	D
5134.122	—	927.2	18/19	1.108	34AH	3.7	1.68	14.1	359	0.7	18	3.0	76	D
5134.122	—	927.2	24/13	1.108	34AH	3.7	1.68	14.1	359	0.7	18	3.0	76	D
5134.122	—	927.2	30/7	1.108	34AH	3.7	1.68	14.1	359	0.7	18	3.0	76	D
5134.122	—	1024.5	18/19	1.165	34AH	3.7	1.68	14.1	359	0.7	18	3.0	76	D
5134.122	—	1024.5	24/13	1.165	34AH	3.7	1.68	14.1	359	0.7	18	3.0	76	D
5134.122	—	1024.5	30/7	1.165	34AH	3.7	1.68	14.1	359	0.7	18	3.0	76	D
5134.128	—	1080.6	18/19	1.196	34AH	3.6	1.64	14.3	363	0.6	16	3.0	76	D
5134.128	—	1080.6	24/13	1.196	34AH	3.6	1.64	14.3	363	0.6	16	3.0	76	D
5134.128	—	1080.6	30/7	1.196	34AH	3.6	1.64	14.3	363	0.6	16	3.0	76	D
5138.138	—	1127.0	42/19	1.222	34AH	3.4	1.55	14.6	370	0.6	15	3.0	76	D
5134.128	—	1172.3	18/19	1.246	34AH	3.6	1.64	14.3	363	0.6	16	3.0	76	D
5134.128	—	1172.3	24/13	1.246	34AH	3.6	1.64	14.3	363	0.6	16	3.0	76	D
5134.128	—	1180.6	24/13	1.212	34AH	3.6	1.64	14.3	363	0.6	16	3.0	76	D
5138.150	—	1534.0	42/19	1.427	38AH	4.5	2.05	15.8	400	0.8	20	3.0	76	D
5138.150	—	1534.0	54/7	1.427	38AH	4.5	2.05	15.8	400	0.8	20	3.0	76	D
5144.159	—	1691.0	--	1.498	44AH	7.4	3.36	18.0	457	0.8	20	4.0	102	E
5140.162	—	1700.0	42/19	1.502	40AH	5.3	2.41	17.4	443	0.7	18	4.0	102	E
5140.162	—	1700.0	54/7	1.502	40AH	5.3	2.41	17.4	443	0.7	18	4.0	102	E
5148.184	—	2303.5	54/37	1.750	48AH	9.0	4.09	20.0	508	0.9	22	4.0	102	E
5148.184	—	2303.5	63/28	1.750	48AH	9.0	4.09	20.0	508	0.9	22	4.0	102	E
5148.184	—	2338.0	42/19	1.762	48AH	9.0	4.09	20.0	508	0.9	22	4.0	102	E

AAC & ACAR ACCESSORIES