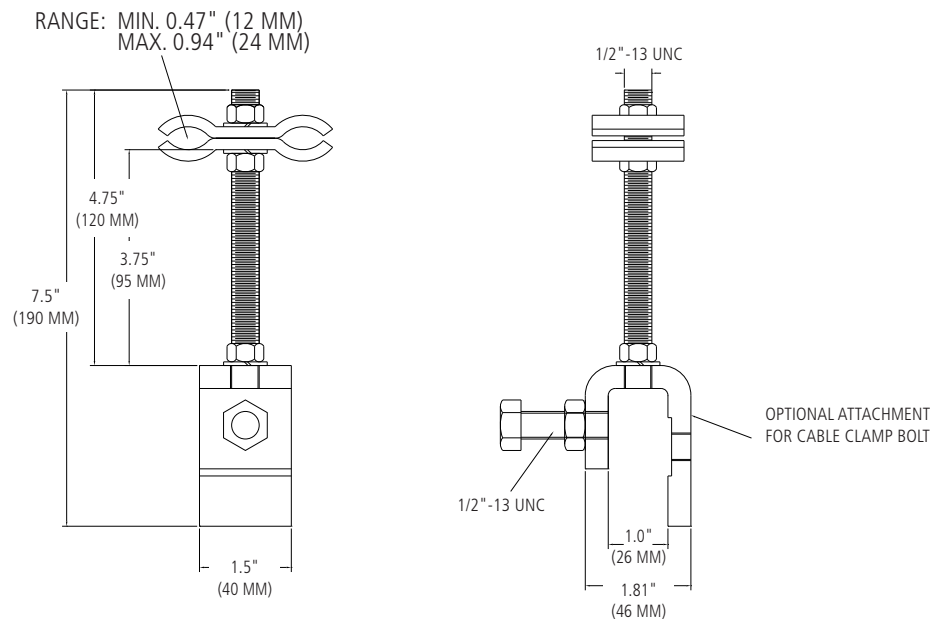


Download Clamps for OPGW

Download clamps are used to secure the OPGW fiber optic cable as it is trained down the pole or tower. AFL's download clamp incorporates a unique design feature that allows the clamp to cover a broad cable range. This feature reduces the customer's stocking requirements when dealing with numerous cable diameters. The clamp has four attachment options that provide the versatility needed when dealing with a variety of wood or steel poles and lattice towers. Normal spacing for download clamps is six to eight feet.

Ordering Information

AFL NO.	CABLE DIAMETER RANGE inches (mm)	
	MIN	MAX
ODL472/945	0.472 (12)	0.945 (24)



continued
➔