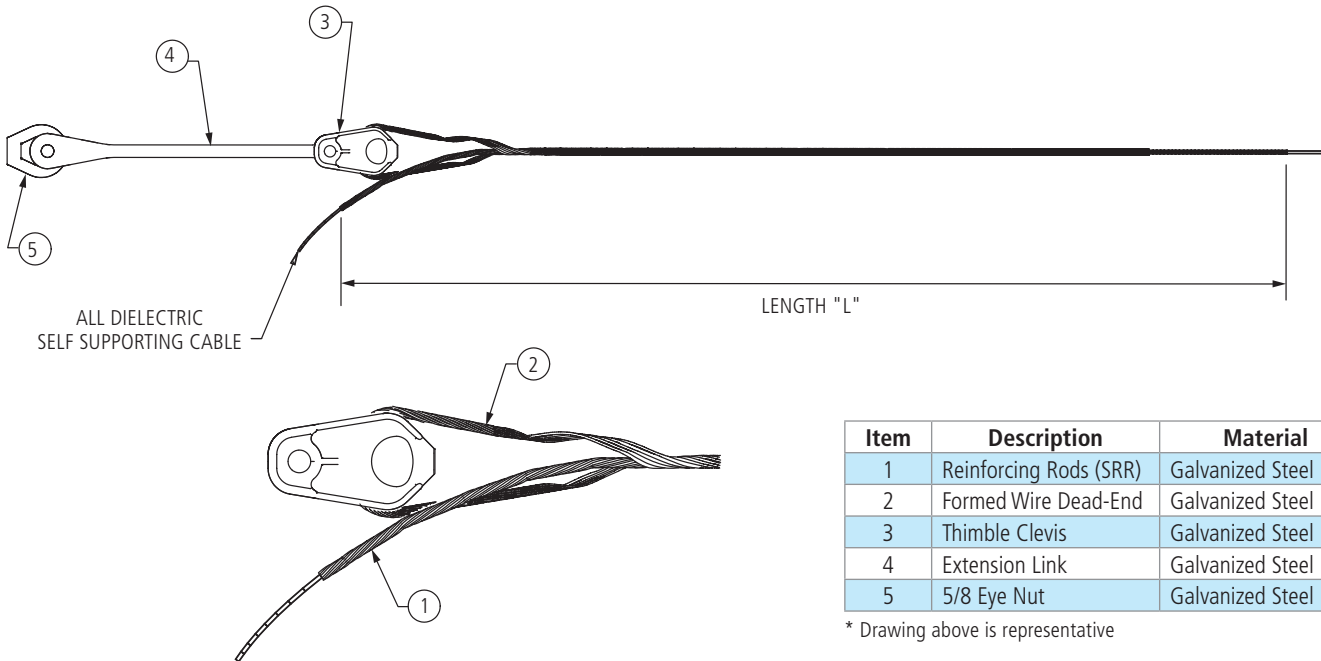


Limited Tension Formed Wire Dead End for ADSS Cable



| Item | Description | Material |
|------|------------------------|------------------|
| 1 | Reinforcing Rods (SRR) | Galvanized Steel |
| 2 | Formed Wire Dead-End | Galvanized Steel |
| 3 | Thimble Clevis | Galvanized Steel |
| 4 | Extension Link | Galvanized Steel |
| 5 | 5/8 Eye Nut | Galvanized Steel |

* Drawing above is representative

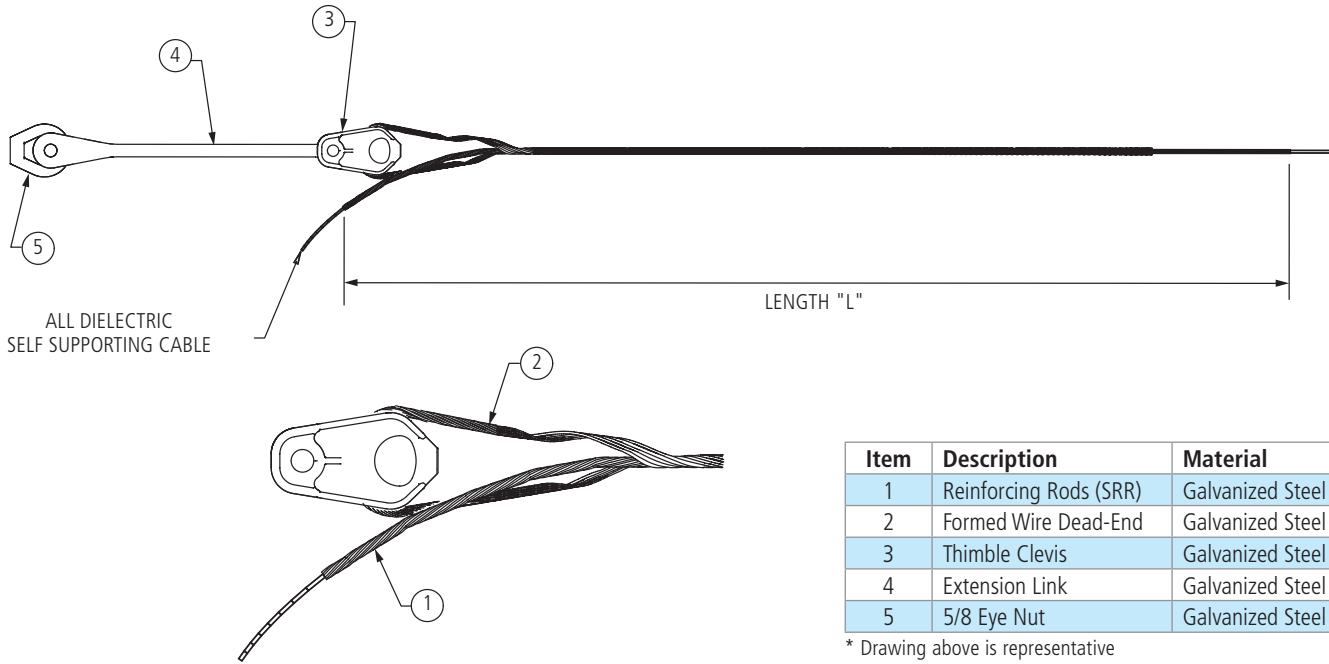
Features

- Components strength—6,500 lbs.
- Maximum initial tension—up to 1,000 lbs.
- Maximum loaded tension—up to 2,500 lbs.
- Dead end component may be reused once during initial installation
- Contact AFL for track-resistant ADSS application

Ordering Information

| AFL NO. | CABLE OD (IN) | LENGTH "L" (IN) | COLOR CODE |
|-----------------|---------------|-----------------|------------|
| ADESE400/424C | .400-.424 | 48 | Black |
| ADESE425/451C | .425-.451 | 48 | Yellow |
| ADESE452/481C | .452-.481 | 48 | Green |
| ADESE482/510C | .482-.510 | 48 | Orange |
| ADESE511/542C | .511-.542 | 48 | Blue |
| ADESE543/577C | .543-.577 | 48 | White |
| ADESE578/613C | .578-.613 | 48 | Red |
| ADESE614/651C | .614-.651 | 48 | Black |
| ADESE652/692C | .652-.692 | 48 | Yellow |
| ADESE693/737C | .693-.737 | 48 | Green |
| ADESE738/784C | .738-.784 | 48 | Orange |
| ADESE785/834C | .785-.834 | 48 | Blue |
| ADESE835/889C | .835-.889 | 48 | White |
| ADESE890/945C | .890-.945 | 48 | Red |
| ADESE946/1007C | .946-1.007 | 48 | Black |
| ADESE1008/1073C | 1.008-1.073 | 60 | Yellow |
| ADESE1074/1140C | 1.074-1.140 | 60 | Green |
| ADESE1141/1212C | 1.141-1.212 | 60 | Orange |
| ADESE1213/1288C | 1.213-1.288 | 60 | Blue |

Medium Tension Dead End for ADSS Cable



| Item | Description | Material |
|------|------------------------|------------------|
| 1 | Reinforcing Rods (SRR) | Galvanized Steel |
| 2 | Formed Wire Dead-End | Galvanized Steel |
| 3 | Thimble Clevis | Galvanized Steel |
| 4 | Extension Link | Galvanized Steel |
| 5 | 5/8 Eye Nut | Galvanized Steel |

* Drawing above is representative

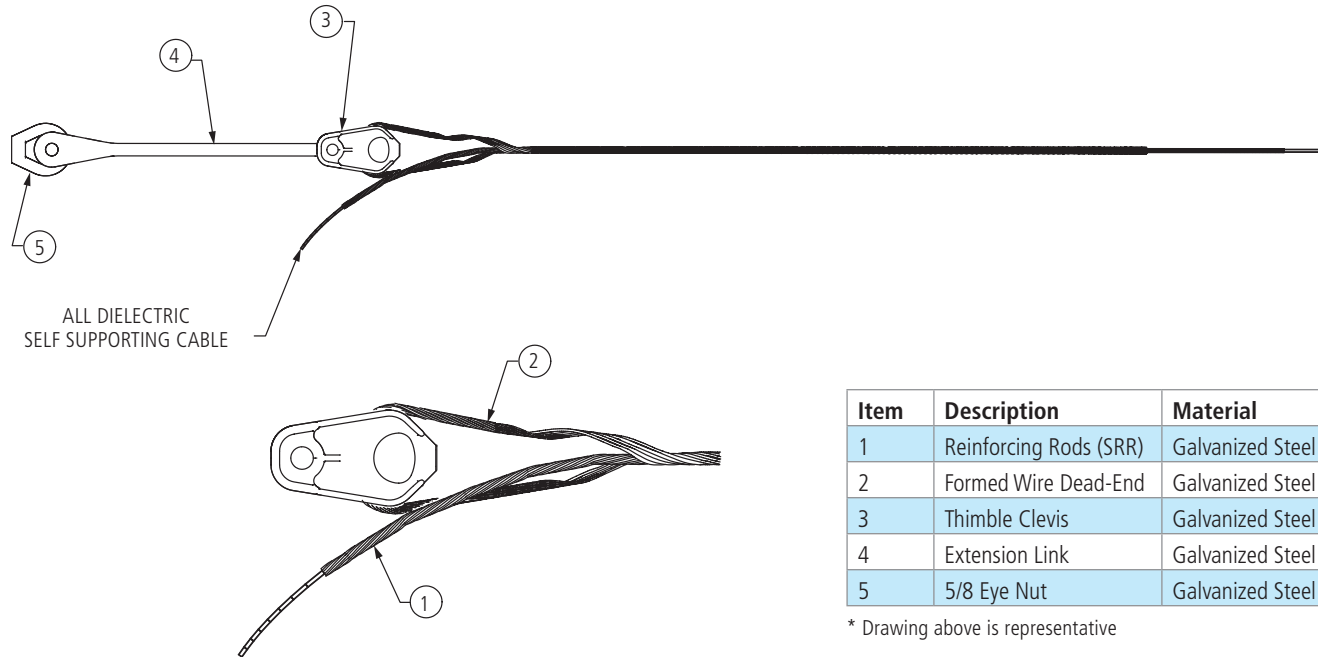
Features

- Component strength—6,500 lbs.
- Maximum initial tension—up to 2,000 lbs.
- Maximum loaded tension—up to 4,000 lbs.
- Dead end component may be reused once during initial installation
- Contact AFL for track-resistant ADSS application

Ordering Information

| AFL NO. | CABLE OD (IN) | LENGTH "L" (IN) | COLOR CODE |
|-----------------|---------------|-----------------|------------|
| ADEME482/510C | .482-.510 | 72 | Orange |
| ADEME511/542C | .511-.542 | 73 | Blue |
| ADEME543/577C | .543-.577 | 74 | White |
| ADEME578/613C | .578-.613 | 78 | Red |
| ADEME614/651C | .614-.651 | 80 | Black |
| ADEME652/692C | .652-.692 | 80 | Yellow |
| ADEME693/737C | .693-.737 | 82 | Green |
| ADEME738/784C | .738-.784 | 88 | Orange |
| ADEME785/834C | .785-.834 | 92 | Blue |
| ADEME835/889C | .835-.889 | 94 | White |
| ADEME890/945C | .890-.945 | 96 | Red |
| ADEME946/1007C | .946-1.007 | 98 | Black |
| ADEME1008/1073C | 1.008-1.073 | 102 | Purple |
| ADEME1074/1140C | 1.074-1.140 | 102 | Pink |
| ADEME1141/1212C | 1.141-1.212 | 104 | Brown |
| ADEME1213/1288C | 1.213-1.288 | 107 | Orange |

Semi-High Tension Dead End for ADSS Cable



| Item | Description | Material |
|------|------------------------|------------------|
| 1 | Reinforcing Rods (SRR) | Galvanized Steel |
| 2 | Formed Wire Dead-End | Galvanized Steel |
| 3 | Thimble Clevis | Galvanized Steel |
| 4 | Extension Link | Galvanized Steel |
| 5 | 5/8 Eye Nut | Galvanized Steel |

* Drawing above is representative

Features

- Components strength—15,000 lbs.
- Maximum initial tension—up to 4,000 lbs.
- Maximum loaded tension—up to 7,500 lbs.
- Dead end component may be reused once during initial installation
- Contact AFL for Length Information and track-resistant ADSS application
- Lengths range from 100" to 134"

Ordering Information

| AFL NO. | CABLE OD (in.) | LENGTH "L" (in.) | COLOR CODE |
|-----------------|----------------|------------------|------------|
| ADELE482/510C | .482-.510 | 98 | Orange |
| ADELE511/542C | .511-.542 | 988 | Blue |
| ADELE543/577C | .543-.577 | 1008 | White |
| ADELE578/613C | .578-.613 | 104 | Red |
| ADELE614/651C | .614-.651 | 106 | Black |
| ADELE652/692C | .652-.692 | 106 | Yellow |
| ADELE693/737C | .693-.737 | 108 | Green |
| ADELE738/784C | .738-.784 | 113 | Orange |
| ADELE785/834C | .785-.834 | 118 | Blue |
| ADELE835/889C | .835-.889 | 119 | White |
| ADELE890/945C | .890-.945 | 121 | Red |
| ADELE946/1007C | .946-1.007 | 123 | Black |
| ADELE1008/1073C | 1.008-1.073 | 126 | Purple |
| ADELE1074/1140C | 1.074-1.140 | 127 | Pink |
| ADELE1141/1212C | 1.141-1.212 | 129 | Brown |
| ADELE1213/1288C | 1.213-1.288 | 133 | Orange |