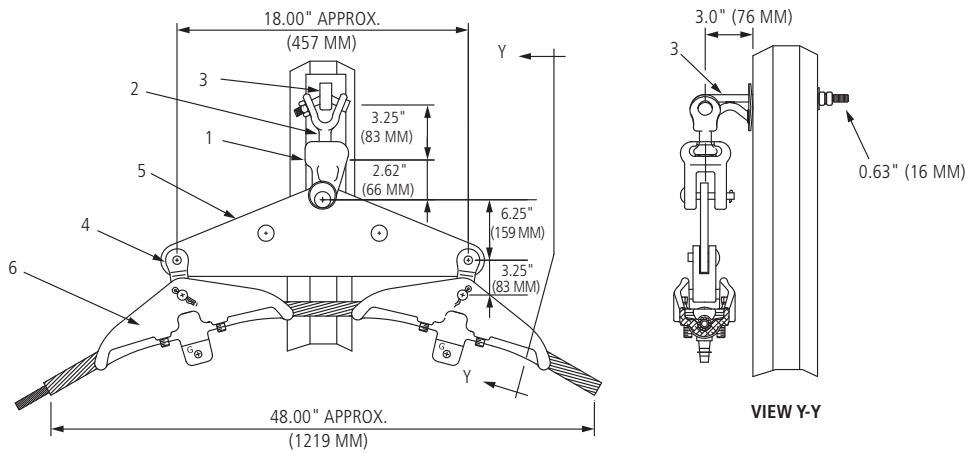


OPGW Double Suspension Steel Pole/Drilled Configuration Assembly

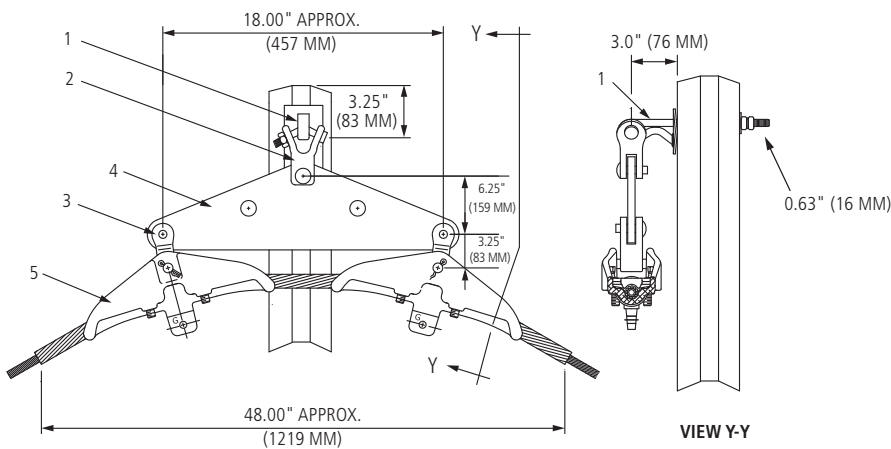


AFL NO.

OSPSS1	-	XXX/XXX
Assembly Code		SUME Range Code

Bill of Material

ITEM	DESCRIPTION	MATERIAL	AFL OR DWG. NO.	REQ'D	REMARKS
1	Socket Clevis	Galvanized Steel	SC-YP	1	
2	Y-Clevis Ball	Galvanized Steel	YCBS	1	Pin Dia. = 0.75" (19 mm)
3	Shield Wire Support Bracket	Galvanized Steel	SFOSB-WP-14	1	14" Bolt, 0.63" (16 mm) Dia.
4	Clevis Eye	Galvanized Steel	CE-SC	2	
5	Yoke Plate	Galvanized Steel	SUMEYP	1	
6	Double Suspension (incl.)	Aluminum	ODSME XXX/XXX	1	



AFL NO.

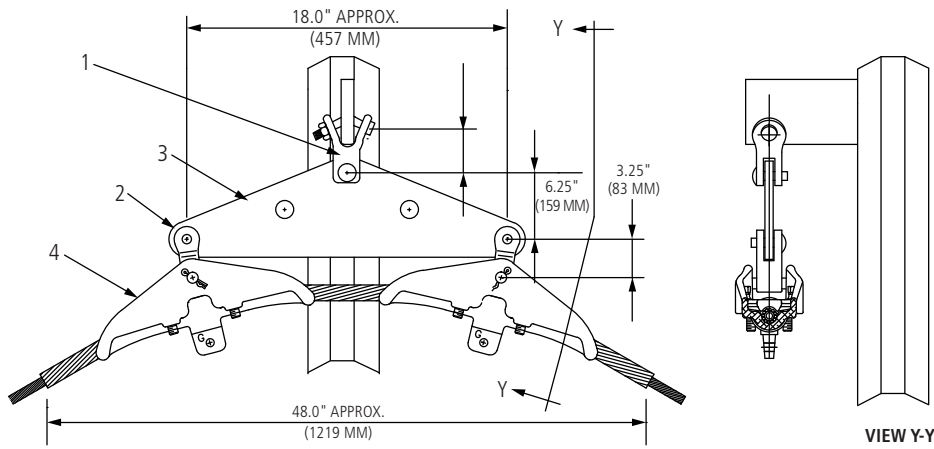
OSPSS2	-	XXX/XXX
Assembly Code		SUME Range Code

Bill of Material

ITEM	DESCRIPTION	MATERIAL	AFL OR DWG. NO.	REQ'D	REMARKS
1	Shield Wire Support Bracket	Galvanized Steel	SFOSB-WP-14	1	14" Bolt, 0.63" (16 mm) Dia.
2	Y-Clevis Clevis 90°	Galvanized Steel	YCC-90	1	Pin Dia. = 0.75" (19 mm)
3	Clevis Eye	Galvanized Steel	CE-SC	2	
4	Yoke Plate	Galvanized Steel	SUMEYP	1	
5	Double Suspension (incl.)	Aluminum	ODSME XXX/XXX	1	

continued →

OPGW Double Suspension Steel Pole/Vang Configuration Assembly

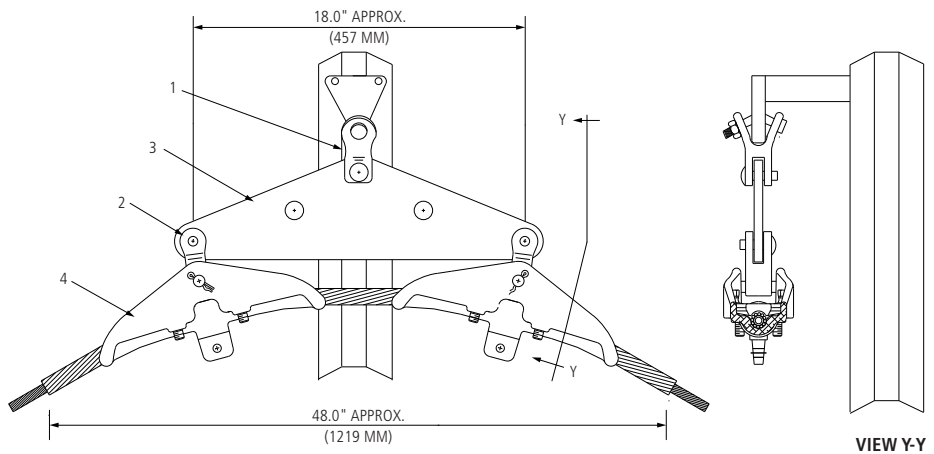


AFL NO.

OSPSS4	-	XXX/XXX
Assembly Code		SUME Range Code

Bill of Material

ITEM	DESCRIPTION	MATERIAL	AFL OR DWG. NO.	REQ'D	REMARKS
1	Y-Clevis Clevis 90°	Galvanized Steel	YCC-90	1	Pin Dia. = 0.75" (19 mm)
2	Clevis Eye	Galvanized Steel	CE-SC	2	
3	Yoke Plate	Galvanized Steel	SUMEYP	1	
4	Double Suspension (incl.)	Aluminum	ODSME XXX/XXX	1	



AFL NO.

OSPSS5	-	XXX/XXX
Assembly Code		SUME Range Code

Bill of Material

ITEM	DESCRIPTION	MATERIAL	AFL OR DWG. NO.	REQ'D	REMARKS
1	Y-Clevis Clevis	Galvanized Steel	YCC	1	Pin Dia. = 0.75" (19 mm)
2	Clevis Eye	Galvanized Steel	CE-SC	2	
3	Yoke Plate	Galvanized Steel	SUMEYP	1	
4	Double Suspension (incl.)	Aluminum	ODSME XXX/XXX	1	