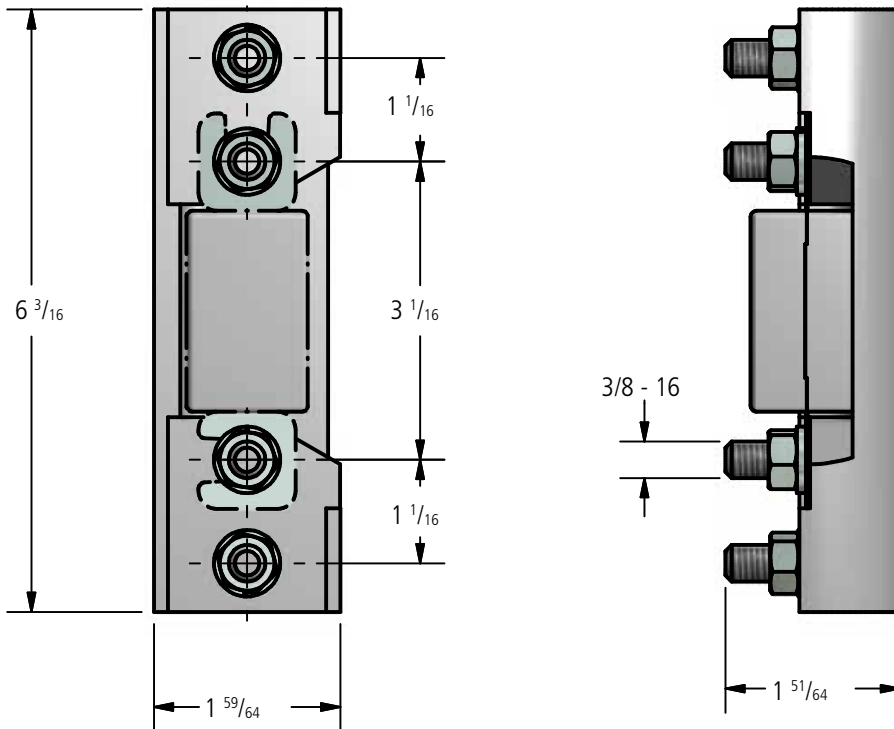


DOSSERT®

Type RLM-B Limiter Mounting Block for Use with Renewable Limiter Link Assembly Types RLM-E and RLB-E

A high impact, heat resistant, fiber reinforced phenolic resin base insulating mounting block. Designed to serve as a junction for connecting lugs or terminal adapters to limiter renewable link type F. Mounting studs are solidly anchored in block during molding process. The block may be ordered separately for replacement or other applications.



Ordering Information

CATALOG NUMBER
RLM50-B