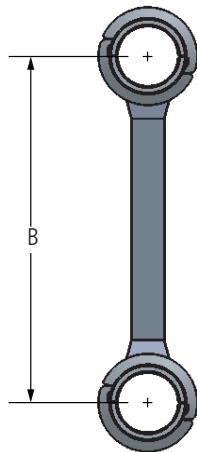
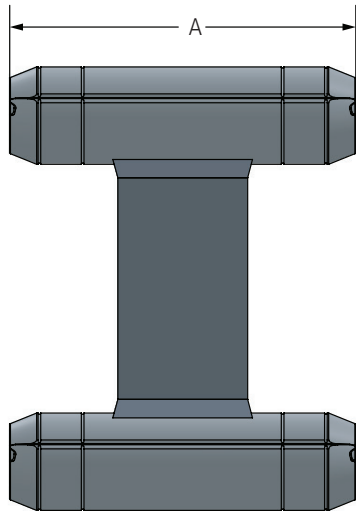


TYPE SWAS-AA
Swage Split Cable Spacer

Material

Aluminum Alloy



Ordering Information

AFL NO.	CABLE RANGE		DIMENSIONS IN INCHES		DIE SIZE	EST. WEIGHT (LBS)	VOLTAGE RATING
	AAC	ACSR	A	B			
SWAS1613-8-AA	2/0	1/0	9.00	8.00	45TD16	2.51	230
SWAS1613-12-AA	2/0	1/0	9.00	12.00	45TD16	3.39	230
SWAS1625-8-AA	250	4/0	9.00	8.00	45TD16	2.26	230
SWAS1625-12-AA	250	4/0	9.00	12.00	45TD16	3.15	230
SWAS2026-8-AA	266.8	266.8 (18/1)	9.00	8.00	45TD20	2.90	345
SWAS2026-12-AA	266.8	266.8 (18/1)	9.00	12.00	45TD20	3.78	345
SWAS2030-8-AA	300	266.8 (26/7)	9.00	8.00	45TD20	2.83	345
SWAS2030-12-AA	300	266.8 (26/7)	9.00	12.00	45TD20	3.72	345
SWAS2035-8-AA	336.4, 350	300 (26/7), 336.4 (18/1)	9.00	8.00	45TD20	2.74	345
SWAS2035-12-AA	336.4, 350	300 (26/7), 336.4 (18/1)	9.00	12.00	45TD20	3.62	345
SWAS2039-8-AA	397.5	336.4 (26/7), 336.4 (30/7), 397.5 (18/1)	9.00	8.00	45TD20	2.62	345
SWAS2039-12-AA	397.5	336.4 (26/7), 336.4 (30/7), 397.5 (18/1)	9.00	12.00	45TD20	3.50	345
SWAS2445-8-AA	450	397.5 (24/7), 397.5 (26/7)	9.13	8.00	45TD24	3.41	345
SWAS2445-12-AA	450	397.5 (24/7), 397.5 (26/7)	9.13	12.00	45TD24	4.29	345
SWAS2447-8-AA	477	397.5 (30/7)	9.13	8.00	45TD24	3.35	345
SWAS2447-12-AA	477	397.5 (30/7)	9.13	12.00	45TD24	4.23	345
SWAS2450-8-AA	500	477 (18/1)	9.13	8.00	45TD24	3.32	345
SWAS2450-12-AA	500	477 (18/1)	9.13	12.00	45TD24	4.20	345
SWAS2455-8-AA	556.5	477 (24/7), 477 (26/7)	9.13	8.00	45TD24	3.19	345
SWAS2455-12-AA	556.5	477 (24/7), 477 (26/7)	9.13	12.00	45TD24	4.07	345
SWAS2860-8-AA	600	477 (30/7), 556.5 (18/1)	10.00	8.00	45TD28	4.38	345
SWAS2860-12-AA	600	477 (30/7), 556.5 (18/1)	10.00	12.00	45TD28	5.26	345
SWAS2863-8-AA	636	556.5 (24/7), 556.5 (26/7)	10.00	8.00	45TD28	4.30	345
SWAS2863-12-AA	636	556.5 (24/7), 556.5 (26/7)	10.00	12.00	45TD28	5.19	345
SWAS2871-8-AA	700, 715.5	556.5 (30/7), 605 (24/7), 605 (26/7), 636 (18/1), 636 (36/1)	10.00	8.00	45TD28	4.17	345
SWAS2871-12-AA	700, 715.5	556.5 (30/7), 605 (24/7), 605 (26/7), 636 (18/1), 636 (36/1)	10.00	12.00	45TD28	5.05	345
SWAS3075-8-AA	750	605 (30/7), 605 (30/19), 636 (24/7), 636 (26/7)	10.00	8.00	45TD30	4.70	345
SWAS3075-12-AA	750	605 (30/7), 605 (30/19), 636 (24/7), 636 (26/7)	10.00	12.00	45TD30	5.58	345

continued



TYPE SWAS-AA
Swage Split Cable Spacer

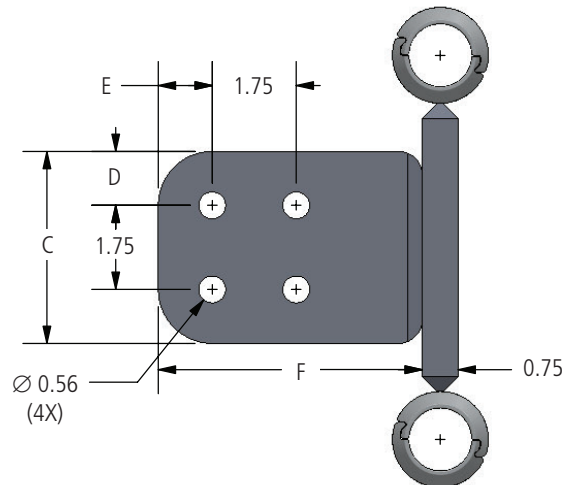
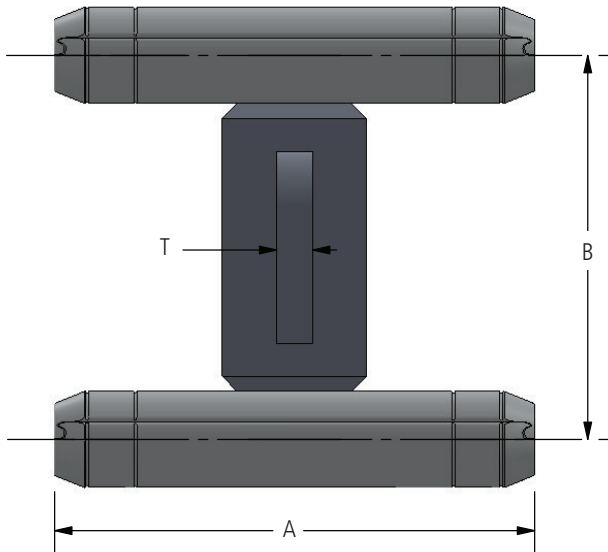
Ordering Information

AFL NO.	CABLE RANGE		DIMENSIONS IN INCHES		DIE SIZE	EST. WEIGHT (LBS)	VOLTAGE RATING
	AAC	ACSR	A	B			
SWAS3079-4-AA	795	636 (30/7), 636 (30/19), 666.6 (24/7), 666.6 (26/7), 715.5 (24/7), 715.5 (54/7), 795 (36/1)	10.00	4.00	45TD30	3.67	345
SWAS3079-6-AA	795	636 (30/7), 636 (30/19), 666.6 (24/7), 666.6 (26/7), 715.5 (24/7), 715.5 (54/7), 795 (36/1)	10.00	6.00	45TD30	4.50	345
SWAS3079-8-AA	795	636 (30/7), 636 (30/19), 666.6 (24/7), 666.6 (26/7), 715.5 (24/7), 715.5 (54/7), 795 (36/1)	10.00	8.00	45TD30	4.55	345
SWAS3079-12-AA	795	636 (30/7), 636 (30/19), 666.6 (24/7), 666.6 (26/7), 715.5 (24/7), 715.5 (54/7), 795 (36/1)	10.00	12.00	45TD30	5.43	345
SWAS3087-8-AA	874.5	715.5 (26/7), 715.5 (30/19), 795 (45/7)	10.00	8.00	45TD30	4.37	345
SWAS3087-12-AA	874.5	715.5 (26/7), 715.5 (30/19), 795 (45/7)	10.00	12.00	45TD30	5.26	345
SWAS3290-6-AA	900	795 (24/7), 795 (54/7), 795 (26/7)	10.00	6.00	45TD32	4.90	500
SWAS3290-8-AA	900	795 (24/7), 795 (54/7), 795 (26/7)	10.00	8.00	45TD32	4.94	500
SWAS3290-12-AA	900	795 (24/7), 795 (54/7), 795 (26/7)	10.00	12.00	45TD32	5.82	500
SWAS3295-8-AA	954	795 (30/19), 900 (45/7)	10.00	8.00	45TD32	4.89	500
SWAS3295-12-AA	954	795 (30/19), 900 (45/7)	10.00	12.00	45TD32	5.78	500
SWAS32100-8-AA	1000	874.5 (54/7), 900 (54/7), 954 (45/7)	10.00	8.00	45TD32	4.81	500
SWAS32100-12-AA	1000	874.5 (54/7), 900 (54/7), 954 (45/7)	10.00	12.00	45TD32	5.69	500
SWAS32103-8-AA	1033.5	954 (54/7)	10.00	8.00	45TD32	4.71	500
SWAS32103-12-AA	1033.5	954 (54/7)	10.00	12.00	45TD32	5.59	500
SWAS32111-8-AA	1113	1033.5 (45/7), 1033.5 (54/7)	10.00	8.00	45TD32	4.52	500
SWAS32111-12-AA	1113	1033.5 (45/7), 1033.5 (54/7)	10.00	12.00	45TD32	5.40	500
SWAS36119-8-AA	1192.5	1113 (45/7)	10.50	8.00	45TD36	6.12	500
SWAS36119-12-AA	1192.5	1113 (45/7)	10.50	12.00	45TD36	7.00	500
SWAS36127-4-AA	1272	1113 (54/19), 1192.5 (45/7)	10.50	4.00	45TD36	5.09	500
SWAS36127-6-AA	1272	1113 (54/19), 1192.5 (45/7)	10.50	6.00	45TD36	5.53	500
SWAS36127-8-AA	1272	1113 (54/19), 1192.5 (45/7)	10.50	8.00	45TD36	5.97	500
SWAS36127-12-AA	1272	1113 (54/19), 1192.5 (45/7)	10.50	12.00	45TD36	6.86	500
SWAS36135-8-AA	1351.5	1192.5 (54/19), 1272 (45/7)	10.50	8.00	45TD36	5.96	500
SWAS36135-12-AA	1351.5	1192.5 (54/19), 1272 (45/7)	10.50	12.00	45TD36	6.84	500
SWAS36143-8-AA	1431	1272 (54/19), 1351.5 (45/7)	10.50	8.00	45TD36	5.78	500
SWAS36143-12-AA	1431	1272 (54/19), 1351.5 (45/7)	10.50	12.00	45TD36	6.66	500
SWAS36151-8-AA	1510.5	1351.5 (54/19), 1431 (45/7)	10.50	8.00	45TD36	5.60	500
SWAS36151-12-AA	1510.5	1351.5 (54/19), 1431 (45/7)	10.50	12.00	45TD36	6.48	500
SWAS36159-4-AA	1590	1431 (54/19), 1510.5 (45/7)	10.50	4.00	45TD36	6.00	500
SWAS36159-8-AA	1590	1431 (54/19), 1510.5 (45/7)	10.50	8.00	45TD36	5.45	500
SWAS36159-12-AA	1590	1431 (54/19), 1510.5 (45/7)	10.50	12.00	45TD36	6.34	500
SWAS36159-18-AA	1590	1431 (54/19), 1510.5 (45/7)	10.50	18.00	45TD36	6.20	500
SWAS36175-8-AA	1750	1510.5 (54/19), 1590 (45/7)	10.50	8.00	45TD36	5.07	500
SWAS36175-12-AA	1750	1510.5 (54/19), 1590 (45/7)	10.50	12.00	45TD36	5.95	500
SWAS36175-18-AA	1750	1510.5 (54/19), 1590 (45/7)	10.50	18.00	45TD36	5.82	500
SWAS36180-8-AA	1800	1590 (54/19)	10.50	8.00	45TD36	4.90	500
SWAS36180-12-AA	1800	1590 (54/19)	10.50	12.00	45TD36	5.79	500
SWAS44200-6-AA	2000	1780 (84/19)	11.50	6.00	65TD44L	8.40	500
SWAS44200-8-AA	2000	1780 (84/19)	11.50	8.00	65TD44L	8.84	500
SWAS44200-12-AA	2000	1780 (84/19)	11.50	12.00	65TD44L	9.72	500
SWAS44230-8-AA	2250	2156 (84/19), 2167 (72/7)	11.50	8.00	65TD44L	8.22	500
SWAS44230-12-AA	2250	2156 (84/19), 2167 (72/7)	11.50	12.00	65TD44L	9.11	500
SWAS44250-8-AA	2500	2312 (76/19)	11.50	8.00	65TD44L	7.61	500
SWAS44250-12-AA	2500	2312 (76/19)	11.50	12.00	65TD44L	8.49	500
SWAS44250-18-AA	2500	2312 (76/19)	11.50	18.00	65TD44L	9.82	500

TYPE SWAS-N-AA Swage Split Cable Spacer with NEMA Pad

Material

Aluminum Alloy



Ordering Information

AFL NO.	CABLE RANGE		DIMENSIONS IN INCHES							DIE SIZE
	AAC	ACSR	A	B	C	D	E	F	T	
SWAS1613-8-4N4-AA	2/0	1/0	9.00	8.00	4.00	1.13	1.13	5.50	0.75	45TD16
SWAS1625-8-4N4-AA	250	4/0	9.00	8.00	4.00	1.13	1.13	5.50	0.75	45TD16
SWAS2026-8-4N4-AA	266.8	266.8 (18/1)	9.00	8.00	4.00	1.13	1.13	5.50	0.75	45TD20
SWAS2030-8-4N4-AA	300	266.8 (26/7)	9.00	8.00	4.00	1.13	1.13	5.50	0.75	45TD20
SWAS2035-8-4N4-AA	336.4, 350	300 (26/7), 336.4 (18/1)	9.00	8.00	4.00	1.13	1.13	5.50	0.75	45TD20
SWAS2039-8-4N4-AA	397.5	336.4 (26/7), 336.4 (30/7), 397.5 (18/1)	9.00	8.00	4.00	1.13	1.13	5.50	0.75	45TD20
SWAS2445-8-4N4-AA	450	397.5 (24/7), 397.5 (26/7)	9.13	8.00	4.00	1.13	1.13	5.50	0.75	45TD24
SWAS2447-8-4N4-AA	477	397.5 (30/7)	9.13	8.00	4.00	1.13	1.13	5.50	0.75	45TD24
SWAS2450-8-4N4-AA	500	477 (18/1)	9.13	8.00	4.00	1.13	1.13	5.50	0.75	45TD24
SWAS2455-8-4N4-AA	556.5	477 (24/7), 477 (26/7)	9.13	8.00	4.00	1.13	1.13	5.50	0.75	45TD24

continued

TYPE SWAS-N-AA

Swage Split Cable Spacer with NEMA Pad

Ordering Information

AFL NO.	CABLE RANGE		DIMENSIONS IN INCHES							DIE SIZE
	AAC	ACSR	A	B	C	D	E	F	T	
SWAS2860-8-4N4-AA	600	477 (30/7), 556.5 (18/1)	10.00	8.00	4.00	1.13	1.13	5.50	0.75	45TD28
SWAS2863-8-4N4-AA	636	556.5 (24/7), 556.5 (26/7)	10.00	8.00	4.00	1.13	1.13	5.50	0.75	45TD28
SWAS2871-8-4N4-AA	700, 715.5	556.5 (30/7), 605 (24/7), 605 (26/7), 636 (18/1), 636 (36/1)	10.00	8.00	4.00	1.13	1.13	5.50	0.75	45TD28
SWAS3075-8-4N4-AA	750	605 (30/7), 605 (30/19), 636 (24/7), 636 (26/7)	10.00	8.00	4.00	1.13	1.13	5.50	0.75	45TD30
SWAS3079-8-4N4-AA	795	636 (30/7), 636 (30/19), 666.6 (24/7), 666.6 (26/7), 715.5 (24/7), 715.5 (54/7), 795 (36/1)	10.00	8.00	4.00	1.13	1.13	5.50	0.75	45TD30
SWAS3079-6-4N4-AA	795	636 (30/7), 636 (30/19), 666.6 (24/7), 666.6 (26/7), 715.5 (24/7), 715.5 (54/7), 795 (36/1)	10.00	6.00	4.00	1.13	1.13	5.50	0.75	45TD30
SWAS3087-8-4N4-AA	874.5	715.5 (26/7), 715.5 (30/19), 795 (45/7)	10.00	8.00	4.00	1.13	1.13	5.50	0.75	45TD30
SWAS3290-8-4N4-AA	900	795 (24/7), 795 (54/7), 795 (26/7)	10.00	8.00	4.00	1.13	1.13	5.50	0.75	45TD32
SWAS3295-6-4N4-AA	954	795 (30/19), 900 (45/7)	10.00	6.00	4.00	1.13	1.13	5.50	0.75	45TD32
SWAS3295-8-4N4-AA	954	795 (30/19), 900 (45/7)	10.00	8.00	4.00	1.13	1.13	5.50	0.75	45TD32
SWAS32100-8-4N4-AA	1000	874.5 (54/7), 900 (54/7), 954 (45/7)	8.00	8.00	4.00	1.13	1.13	5.50	0.75	45TD32
SWAS32103-8-4N4-AA	1033.5	954 (54/7)	10.00	8.00	4.00	1.13	1.13	5.50	0.75	45TD32
SWAS32111-8-4N-AA	1113	1033.5 (45/7), 1033.5 (54/7)	10.00	8.00	3.00	0.63	0.63	4.50	0.75	45TD32
SWAS32111-8-4N4-AA	1113	1033.5 (45/7), 1033.5 (54/7)	10.00	8.00	4.00	1.13	1.13	5.50	0.75	45TD32
SWAS36119-8-4N4-AA	1192.5	1113 (45/7)	10.50	8.00	4.00	1.13	1.13	5.50	0.75	45TD36
SWAS36127-8-4N4-AA	1272	1113 (54/19), 1192.5 (45/7)	10.50	8.00	4.00	1.13	1.13	5.50	0.75	45TD36
SWAS36127-12-4N4-AA	1272	1113 (54/19), 1192.5 (45/7)	10.50	12.00	4.00	1.13	1.13	5.50	0.75	45TD36
SWAS36135-8-4N4-AA	1351.5	1192.5 (54/19), 1272 (45/7)	10.50	8.00	4.00	1.13	1.13	5.50	0.75	45TD36
SWAS36143-8-4N4-AA	1431	1272 (54/19), 1351.5 (45/7)	10.50	8.00	4.00	1.13	1.13	5.50	0.75	45TD36
SWAS36151-8-4N4-AA	1510.5	1351.5 (54/19), 1431 (45/7)	10.50	8.00	4.00	1.13	1.13	5.50	0.75	45TD36
SWAS36159-8-4N4-AA	1590	1431 (54/19), 1510.5 (45/7)	10.50	8.00	4.00	1.13	1.13	5.50	0.75	45TD36
SWAS36175-8-4N4-AA	1750	1510.5 (54/19), 1590 (45/7)	10.50	8.00	4.00	1.13	1.13	5.50	0.75	45TD36
SWAS36180-8-4N4-AA	1800	1590 (54/19)	10.50	8.00	4.00	1.13	1.13	5.50	0.75	45TD36
SWAS44200-8-4N4-AA	2000	1780 (84/19)	11.50	8.00	4.00	1.13	1.13	5.50	1.00	65TD44
SWAS44230-8-4N4-AA	2250	2156 (84/19), 2167 (72/7)	11.50	8.00	4.00	1.13	1.13	5.50	1.00	65TD44
SWAS44230-18-4N4-AA	2250	2156 (84/19), 2167 (72/7)	11.50	18.00	4.00	1.13	1.13	5.50	1.00	65TD44
SWAS44250-8-4N4-AA	2500	2312 (76/19)	11.50	8.00	4.00	1.13	1.13	5.50	1.00	65TD44