

## TYPE SWGE Swage 90-Degree Elbow

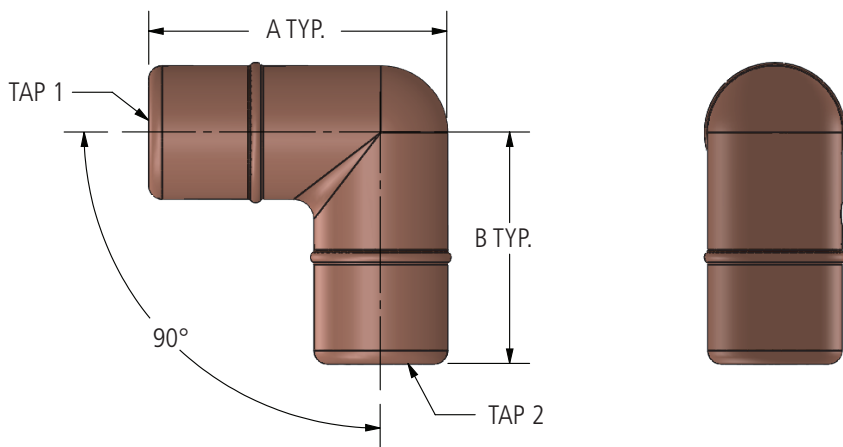
A swage type elbow that connects two cable or rod runs at a 90-degree angle to enable grounding on the same run.

### Material

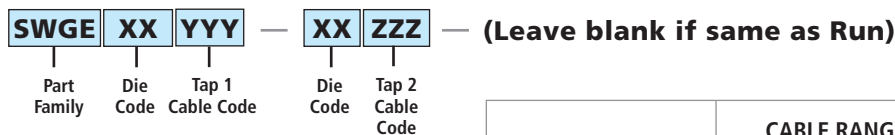
Copper Alloy

### Notes

- For tin plating, add "-SN" to end of catalog number EX: SWGE2450-SN
- For detailed conductor range information, please see page 33 (L11557).



### Ordering Information



Die Code comes from maximum connector OD from Table at right.

- EX: Tin plated elbow for 250MCM Cu to 500MCM Cu is SWGE2425-2450-SN
- EX: Elbow for 250MCM Cu to 500MCM is SWGE2425-2450

AFL NO.	CABLE RANGE		DIMENSIONS IN INCHES		DIE SIZE		
	TAP 1	TAP 2	A	B			
SWGE206-2025	#2	250	2.80	2.17	45TD20		
SWGE2013	1/0	2/0	1/0	2/0	2.80	2.17	45TD20
SWGE2013-2021			4/0	2.80	2.17	45TD20	
SWGE2013-2025			250	2.80	2.17	45TD20	
SWGE2017	3/0		3/0	2.80	2.17	45TD20	
SWGE2017-2021			4/0	2.80	2.17	45TD20	
SWGE2017-2025			250	2.80	2.17	45TD20	
SWGE2021	4/0		4/0	2.80	2.17	45TD20	
SWGE2021-2017			3/0	2.80	2.17	45TD20	
SWGE2021-2025			250	2.80	2.17	45TD20	
SWGE2021-2035			5/8" ROD	2.80	2.17	45TD20	
SWGE2021-2045			3/4" ROD	2.80	2.17	45TD20	
SWGE2025			250	2.80	2.17	45TD20	
SWGE2025-2035	250		5/8" ROD	2.80	2.17	45TD20	
SWGE2025-2045			3/4" ROD	2.80	2.17	45TD20	
SWGE2421	4/0		4/0	3.05	2.17	45TD20	
SWGE2421-2445			3/4" ROD	3.05	2.30	45TD24	
SWGE2425-2417	250		3/0	3.05	2.30	45TD24	
SWGE2425-2445			3/4" ROD	3.05	2.30	45TD24	
SWGE2450-2445	500		3/4" ROD	3.05	2.30	45TD24	
SWGE2450			500	3.05	2.30	45TD24	