

TYPE SWGTS Swage Split Tee Connector

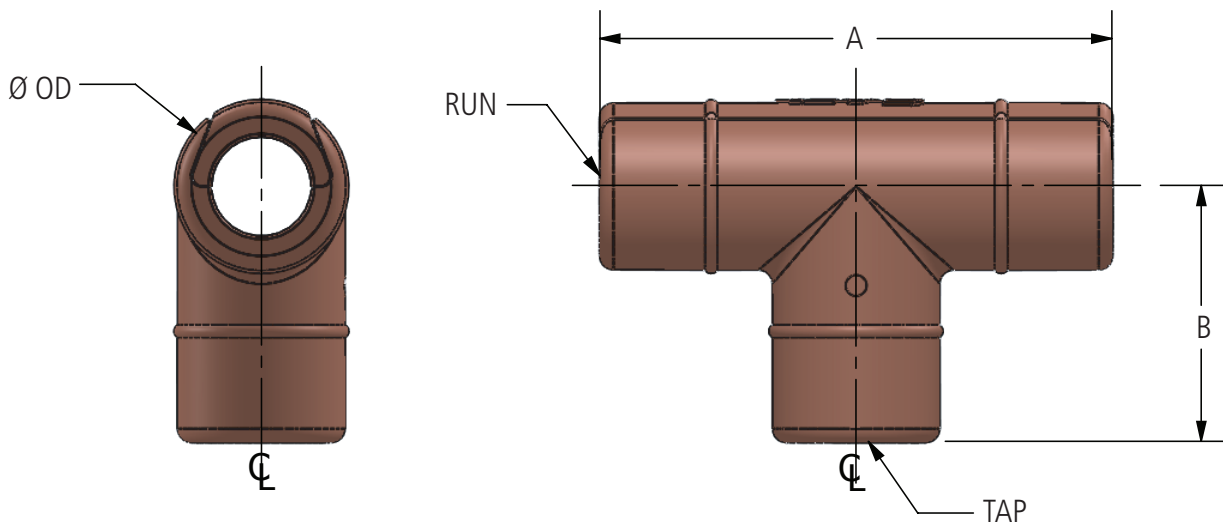
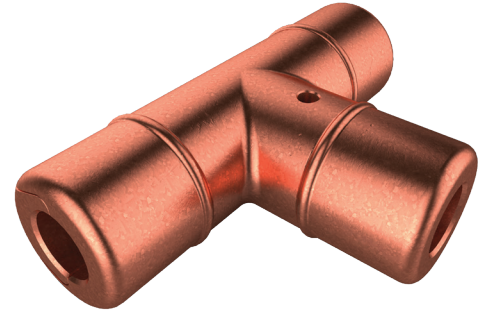
A Swage type tee connector with a sliding channel used to connect a cable/rod run to another cable/rod.

Material

Copper Alloy

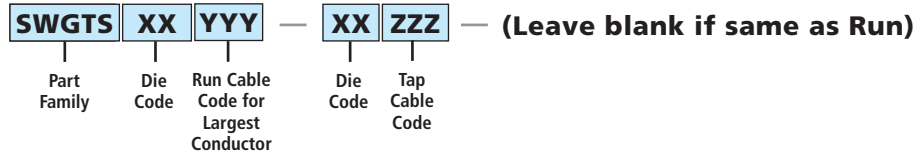
Notes

- For tin plating, add "-SN" to end of catalog number. EX: SWGTS2013-SN.
- For detailed conductor range information, please see page 33 (L11557).



TYPE SWGTS Swage Split Tee Connector

Ordering Information



Die Code comes from maximum connector OD from Table below.

- EX: Tin plated split tee for 250MCM Cu to 500MCM Cu is SWGTS2450-2425-SN
- EX: Split tee for 250MCM Cu to 250MCM is SWGTS2025

AFL NO.	COPPER CABLE (AWG OR KCMIL)		DIMENSIONS IN INCHES			DIE SIZE
	RUN	TAP	OD	A	B	
SWGTS202-2021	#6	4/0	1.25	4.34	2.17	45TD20
SWGTS2013	1/0-2/0	1/0-2/0	1.25	4.34	2.17	45TD20
SWGTS2013-2021	1/0-2/0	4/0	1.25	4.34	2.17	45TD20
SWGTS2013-2025	1/0-2/0	250	1.25	4.34	2.17	45TD20
SWGTS2013-2035	1/0-2/0	350	1.25	4.34	2.17	45TD20
SWGTS2013-2045	1/0-2/0	450	1.25	4.34	2.17	45TD20
SWGTS2017-2013	3/0	2/0	1.25	4.34	2.17	45TD20
SWGTS2017	3/0	3/0	1.25	4.34	2.17	45TD20
SWGTS2017-2025	3/0	250	1.25	4.34	2.17	45TD20
SWGTS2021-204	4/0	#4	1.25	4.34	2.17	45TD20
SWGTS2021-206	4/0	#2	1.25	4.34	2.17	45TD20
SWGTS2021-2013	4/0	2/0	1.25	4.34	2.17	45TD20
SWGTS2021	4/0	4/0	1.25	4.34	2.17	45TD20
SWGTS2021-2025	4/0	250	1.25	4.34	2.17	45TD20
SWGTS2021-2045	4/0	450	1.25	4.34	2.17	45TD20
SWGTS2021-2075C	4/0	3/4" Cu Rod	1.25	4.34	2.17	45TD20
SWGTS2025-204	250	#4	1.25	4.34	2.17	45TD20
SWGTS2025-206	250	#2	1.25	4.34	2.17	45TD20
SWGTS2025-2013	250	2/0	1.25	4.34	2.17	45TD20
SWGTS2025-2017	250	3/0	1.25	4.34	2.17	45TD20
SWGTS2025-2021	250	4/0	1.25	4.34	2.17	45TD20
SWGTS2025	250	250	1.25	4.34	2.17	45TD20
SWGTS2025-2045	250	450	1.25	4.34	2.17	45TD20
SWGTS2025-2075C	250	3/4" Cu Rod	1.25	4.34	2.17	45TD20
SWGTS2413-2450	2/0	500	1.50	4.60	2.30	45TD24
SWGTS2421-2450	4/0	500	1.50	4.60	2.30	45TD24
SWGTS2421-2445	4/0	450	1.50	4.60	2.30	45TD24
SWGTS2425-2435	250	350	1.50	4.60	2.30	45TD24
SWGTS2425-2450	250	500	1.50	4.60	2.30	45TD24
SWGTS2425-2445	250	450	1.50	4.60	2.30	45TD24
SWGTS2425-24100C	250	1" Cu Rod	1.50	4.60	2.30	45TD24
SWGTS2430-2425	300	250	1.50	4.60	2.30	45TD24
SWGTS2430	300	300	1.50	4.60	2.30	45TD24
SWGTS2430-2440	300	400	1.50	4.60	2.30	45TD24
SWGTS2435	350	350	1.50	4.60	2.30	45TD24
SWGTS2445-2421	450	4/0	1.50	4.60	2.30	45TD24
SWGTS2450-246	500	#2	1.50	4.60	2.30	45TD24
SWGTS2450-2413	500	2/0	1.50	4.60	2.30	45TD24
SWGTS2450-2421	500	4/0	1.50	4.60	2.30	45TD24
SWGTS2450-2425	500	250	1.50	4.60	2.30	45TD24
SWGTS2450	500	500	1.50	4.60	2.30	45TD24
SWGTS2450-2430	500	300	1.50	4.60	2.30	45TD24
SWGTS2450-2445	500	450	1.50	4.60	2.30	45TD24
SWGTS2450-24100C	500	1" Cu Rod	1.50	4.60	2.30	45TD24