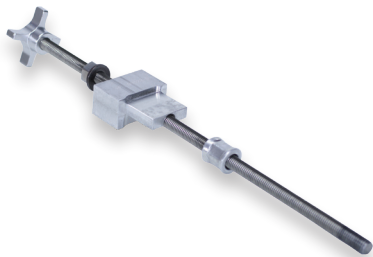
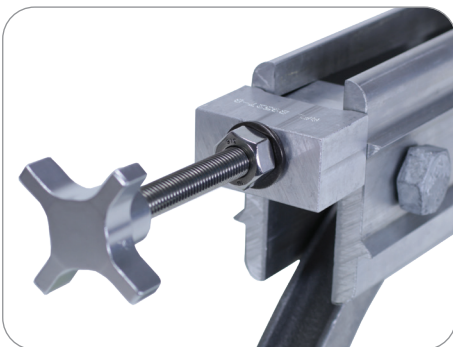




OPGW Wedge Dead End



Removal Tool for OPGW Wedge Dead End



Removal Tool inserted into OPGW Wedge Dead End

Wedge Dead End for Optical Ground Wire (OPGW)

AFL's Optical Ground Wire (OPGW) wedge dead end improves the ease and speed of installing OPGW as compared to bolted and formed wire devices. The wedge dead end is sold mostly assembled and only requires connecting three components (the body, top wedge and locking pin) during preparation. The unique cam action in the pivoting cable guide ensures proper alignment of the wedges prior to loading and the wedges automatically provide the necessary gripping action to meet the holding strength requirements. A removal tool (sold separately) is available to unlock the wedges for situations requiring additional adjustment of the dead end.

Advantages

- Three loose components as compared to 15+ with bolted dead ends
- No bolts to torque – self locking wedge design secures the cable
- Eliminates human error associated with proper torque on bolted dead ends
- Shorter and easier to install than formed wire dead ends
- Optional removal tool allows wedges to be easily unlocked when required
- Quicker installation times as compared to bolted and formed wire models
- No special tools required for installation

Features

- Range: 0.375 - 0.750 in. (9.5 - 19.0 mm)
- Designed for 95% of the cables rated breaking strength up to 25,000 lbs. (11,340 kg)
- Cable Guide (not optional) to train OPGW down or around structure
- Optional link plate available for extension from structures
- Approved for use with AlumaCore, CentraCore and HexaCore OPGW designs



CentraCore



AlumaCore



HexaCore

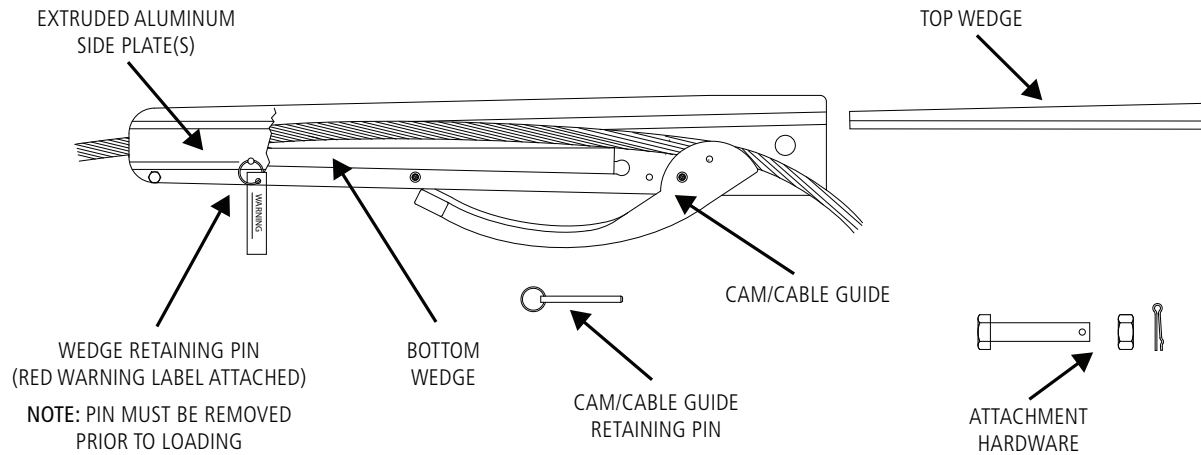
Ordering Information

AFL NO.	OPGW DIAMETER RANGE		WEIGHT			
	INCHES	MM	LBS	KG		
ODEW377/397	0.377	0.397	9.56	10.08	16.0	7.3
ODEW398/418	0.398	0.418	10.09	10.62	16.0	7.3
ODEW419/439	0.419	0.439	10.63	11.15	16.0	7.3
ODEW440/460	0.440	0.460	11.16	11.68	16.0	7.3
ODEW461/481	0.461	0.481	11.69	12.22	16.0	7.3
ODEW482/502	0.482	0.502	12.23	12.75	16.0	7.3
ODEW503/523	0.503	0.523	12.76	13.28	16.0	7.3
ODEW524/544	0.524	0.544	13.29	13.82	16.0	7.3
ODEW545/565	0.545	0.565	13.83	14.35	16.0	7.3
ODEW566/586	0.566	0.586	14.36	14.88	16.0	7.3
ODEW587/607	0.587	0.607	14.89	15.42	16.0	7.3
ODEW608/628	0.608	0.628	14.43	15.95	16.0	7.3
ODEW629/649	0.629	0.649	15.96	16.48	16.0	7.3
ODEW650/670	0.650	0.670	16.49	17.02	16.0	7.3
ODEW671/691	0.671	0.691	17.03	17.55	16.0	7.3
ODEW692/712	0.692	0.712	17.56	18.08	16.0	7.3
ODEW713/733	0.713	0.733	18.09	18.62	16.0	7.3
ODEW734/754	0.734	0.754	18.63	19.15	16.0	7.3

DESCRIPTION	AFL NO.
Removal Tool for OPGW Wedge Dead End (sold separately, effective up to 10,000 lbs)	B9527-B

Wedge Dead End for Optical Ground Wire (OPGW)

Components of OPGW Wedge Dead End



Link Plate

Dead End Link Plate

The Dead End Link Plate is made from galvanized steel and has an ultimate strength of 40,000 lbs. (18,140 kg).

Ordering Information

AFL NO.	DISTANCE A	DISTANCE B	WEIGHT
ODELP05	7 inches (177 mm)	5 inches (127 mm)	2.42 lbs. (1.1 kg)
ODELP10	12 inches (304 mm)	10 inches (254 mm)	4.40 lbs. (2.0 kg)
ODELP15	17 inches (432 mm)	15 inches (381 mm)	6.16 lbs. (2.8 kg)

Material: Galvanized Steel; Ultimate Strength: 40,000 lbs. (18,140 kg)

Dimensions

