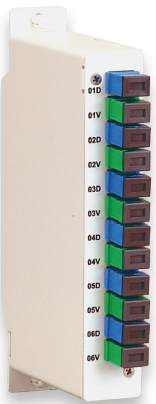


Optical FTTx WDM Module

The Optical FTTx WDM Module is designed to satisfy requirements utilizing 1310, 1490 and 1550 nm bandwidths in FTTx applications. The module features a compact footprint with adapter ports consisting of SC (UPC or APC) outputs.



Specifications

PARAMETER	VALUE
1550 Band – Port 1 (Pass)	1550-1560 nm
1310 + 1490 Band – Port 2 (Reflect)	1260-1360 & 1480-1500 nm
Insertion Loss	1550 < 1.2 dB 1310 + 1490 < 1.2 dB
Isolation	1550 > 25 dB 1310 + 1490 > 20 dB
PDL	<0.2 dB
PMD	< 0.2 ps
Return Loss	> 50 dB
Directivity	> 50 dB
Operating Temperature	-40 to +75°C
Storage Temperature	-40 to +85°C
Relative Humidity	0 to 90%
Optical Power	500 mW

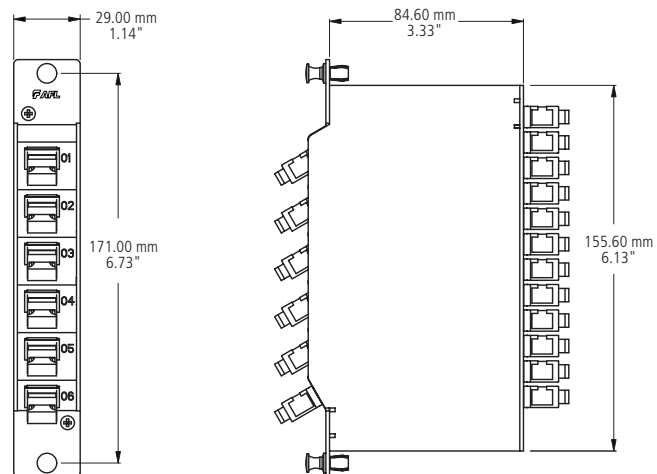
PACKAGING

Packaging Size	Standard Single Width LGX® Rack Module
Fiber Type	Low-Water-Peak Non-Dispersion Shifted SMF-28e
Connector Type	Port 3 (Common) – SC/APC Port 1 (Data) – SC/JPC Port 2 (Video) – SC/APC

Ordering Information

AFL NO.	DESCRIPTION
CM000043	Optical FTTx WDM Module

Dimensions



LGX is a registered trademark of Furukawa Electric North America, Inc.