

Xpress Fiber Management® (XFM) MPO Optical Cassettes

AFL's Xpress Fiber Management Optical Cassette product line is a family of preterminated fanout modules that streamline the deployment of optical network infrastructure. The primary function of these products is to break out multi-fiber ribbon connectors to simplex or duplex style connectors for connection to adjacent network elements.

The Xpress Fiber Management Optical Cassette solution features low-loss MPO style trunk cable assemblies. These cassettes are available in the industry standard LGX® footprint as well as a selection of Corning Cable Systems™ footprints to support embedded base installations. All modules feature a durable powder coat finish, and are compatible with all 1U-4U LANSysSystem platforms. All modules are clearly labeled with a silk-screened "A" and "B" positioning reference to ensure proper polarity is maintained in the network, referenced to the polarity convention being deployed.

Applications

- Data centers
- LAN, WAN and SAN
- Interoffice cross-connects
- Campus environments

Features

- 12- and 24- port configurations
- Single-slot LGX packages
- Compatible with LANSysSystem and WME hardware
- Available in black with rear MPO connection(s)
- SMF, 62.5 μm MMF and 50 μm MMF supported
- SC- and LC-MPO standard configurations
- ST- and FC-MPO configurations available on special order

Optical Performance Data

PARAMETER	Single-mode Fiber (OS1)					Multimode Fiber (OM1, OM2 and 50 μm Laser Optimized)		
	LC - MPO	LCAPC - MPO	SC - MPO	SCAPC - MPO	ST - MPO	LC - MPO	SC - MPO	ST - MPO
Max IL (dB)	1.15	1.15	1.3	1.3	1.3	1.15	1.3	1.3
Typical IL (dB)	0.6	0.6	0.6	0.6	0.6	0.6	0.6	0.6
Reflectance (dB)	-55	-65	-55	-65	-55	-30	-30	-30

Notes:

1. Single-mode IL test wavelengths 1310 nm and 1550 nm
2. Multimode IL test wavelengths 850 nm and 1300 nm
3. Single-mode RL test wavelengths 1310 nm and 1550 nm
4. Multimode RL test wavelengths 850 nm and 1300 nm

Ordering Information

FIBER COUNT, CONNECTOR OPTION	SINGLE-MODE		MULTIMODE	
	UPC - MPO (MALE, APC)	APC - MPO (Male, APC)	62.5 μm OM1 PC - MPO (Male, PC)	50 μm LOMMF OM4 PC - MPO (Male, PC)
12F, LC	FM000090-B	FM001477-B	FM000092-B	FM000273-B
24F, LC	FM000691-B	FM001653-B	FM000663-B	FM000692-B
12F, SC	FM000087-B	FM001465-B	FM000089-B	FM000272-B
12F, ST	FM000093-B	N/A	FM000095-B	FM000274-B

LGX is a registered trademark of Furukawa Electric North America, Inc.

Telcordia is a registered trademark of Telcordia Technologies, Inc.

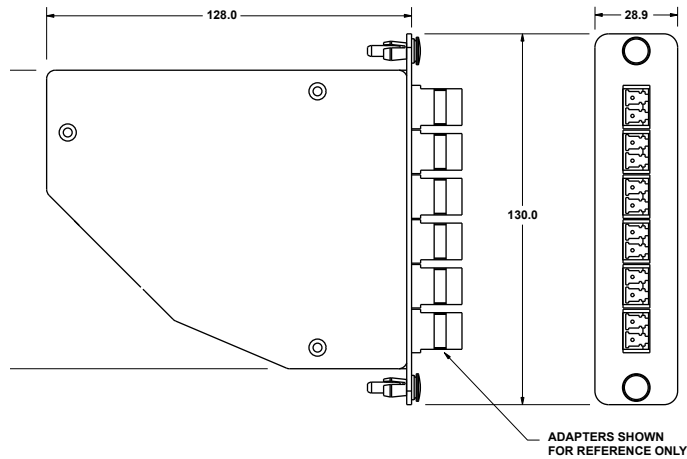
Xpress Fiber Management® (XFM) MPO Optical Cassettes

Ordering Information – Accessories

DESCRIPTION	AFL NO.
145 mm Adapter Bracket	FM001636

NOTE: Allows standard LGX modules, such as AFL's Poli-Mod Interconnect Module and the XFM Optical Cassette, to be mounted into existing Corning Cable Systems™ CCH series and PCH series racks and wall mount products.

Dimensions



Qualifications

GOVERNING BODY	STANDARD CODE
ANSI/TIA/EIA	ANSI/TIA/EIA-568-B.3
Telcordia	GR-326
Telcordia	GR-1435