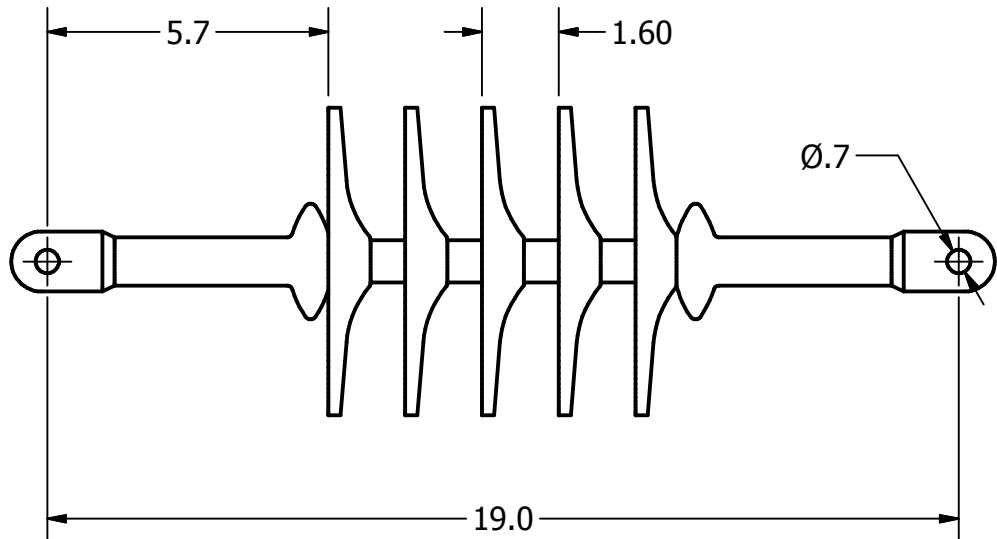
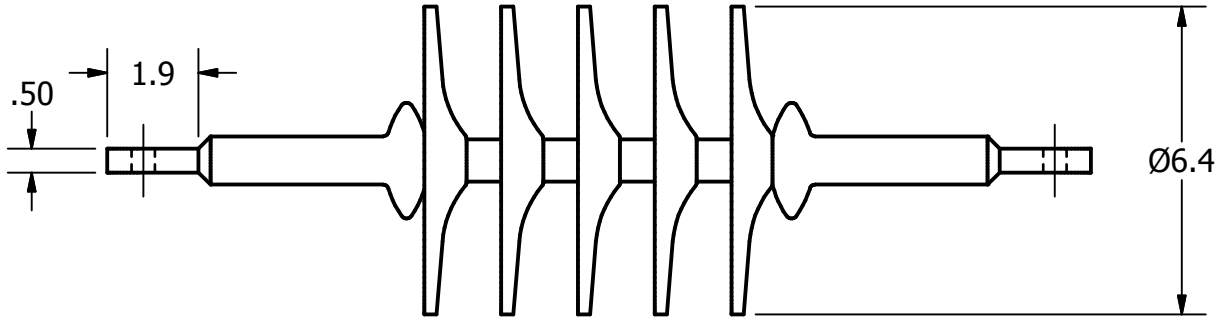


ITEM NO

DWG NO
B-7685A

THIS DRAWING AND ALL INFORMATION ON IT IS THE PROPERTY OF AFL. IT IS CONFIDENTIAL AND IT IS GIVEN TO YOU FOR A LIMITED PURPOSE AND MUST BE RETURNED UPON REQUEST. NEITHER THIS DRAWING OR ANY PART OF IT NOR ANY INFORMATION CONCERNING IT MAY BE COPIED, EXHIBITED, OR FURNISHED TO OTHERS NOR PHOTOGRAPHS TAKEN OF ANY ARTICLE FABRICATED OR ASSEMBLED FROM THE DRAWING WITHOUT THE CONSENT OF AFL.



MECHANICAL RATINGS (TENSION)

WORKING LOAD: 10,000 LBS
 PROOF LOAD: 12,500 LBS
 ULTIMATE LOAD: 25,000 LBS

ELECTRICAL RATINGS

LEAKAGE DISTANCE: 28 IN
 DRY FLASHOVER: 108 KV
 WET FLASHOVER: 91 KV
 BIL: 165 KV

MATERIAL

CORE - FIBERGLASS REINFORCED EPOXY
 SHEDS - SILICON RUBBER
 COLOR: LUSTERLESS MED. GRAY
 END FITTINGS - FORGED STEEL

5.5 LB

LOCATION					CONTRACT NO		CUST / CONTR	
REVISIONS					DRN BY: VC			
REV	DESCRIPTION	DATE	BY	APR	DRN DATE: 3-15-93			
3	REDRAWN IN INVENTOR	5-6-10	NF	EP	CHK BY: JS			
					CHK DATE: 3-16-93			
					REV	DLI161101-TT-421		
					3	1 OF 1		

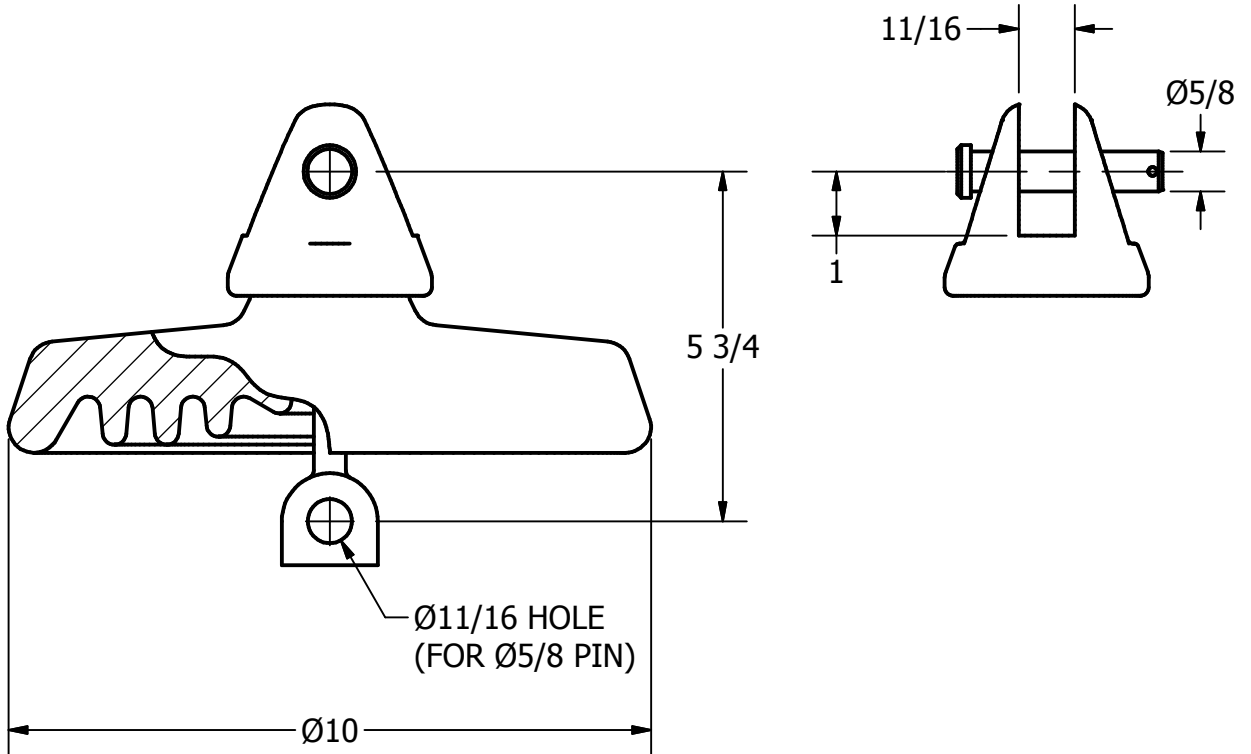


INSULATOR, SUSPENSION, 25000 LB

ITEM NO

DWG NO
D-6753

THIS DRAWING AND ALL INFORMATION ON IT IS THE PROPERTY OF AFL. IT IS CONFIDENTIAL AND IT IS GIVEN TO YOU FOR A LIMITED PURPOSE AND MUST BE RETURNED UPON REQUEST. NEITHER THIS DRAWING OR ANY PART OF IT NOR ANY INFORMATION CONCERNING IT MAY BE COPIED, EXHIBITED, OR FURNISHED TO OTHERS NOR PHOTOGRAPHS TAKEN OF ANY ARTICLE FABRICATED OR ASSEMBLED FROM THE DRAWING WITHOUT THE CONSENT OF AFL.



ELECTRICAL VALUES

TEST VOLTAGE: 10 KV (RMS TO GROUND)
LEAKAGE DISTANCE: 11.5 IN
DRY ARCING DISTANCE: 7.75 IN
DRY FLASHOVER: 80 KV

MECHANICAL VALUES

TENSION STRENGTH: 20,000 LB
MAX WORKING LOAD: 10,000 LB

MATERIAL

BODY - VITRIFIED PORCELAIN
GLAZED LT. GRAY
FLANGE - MALLEABLE IRON ASTM A536
GALVANIZED TO ASTM A153

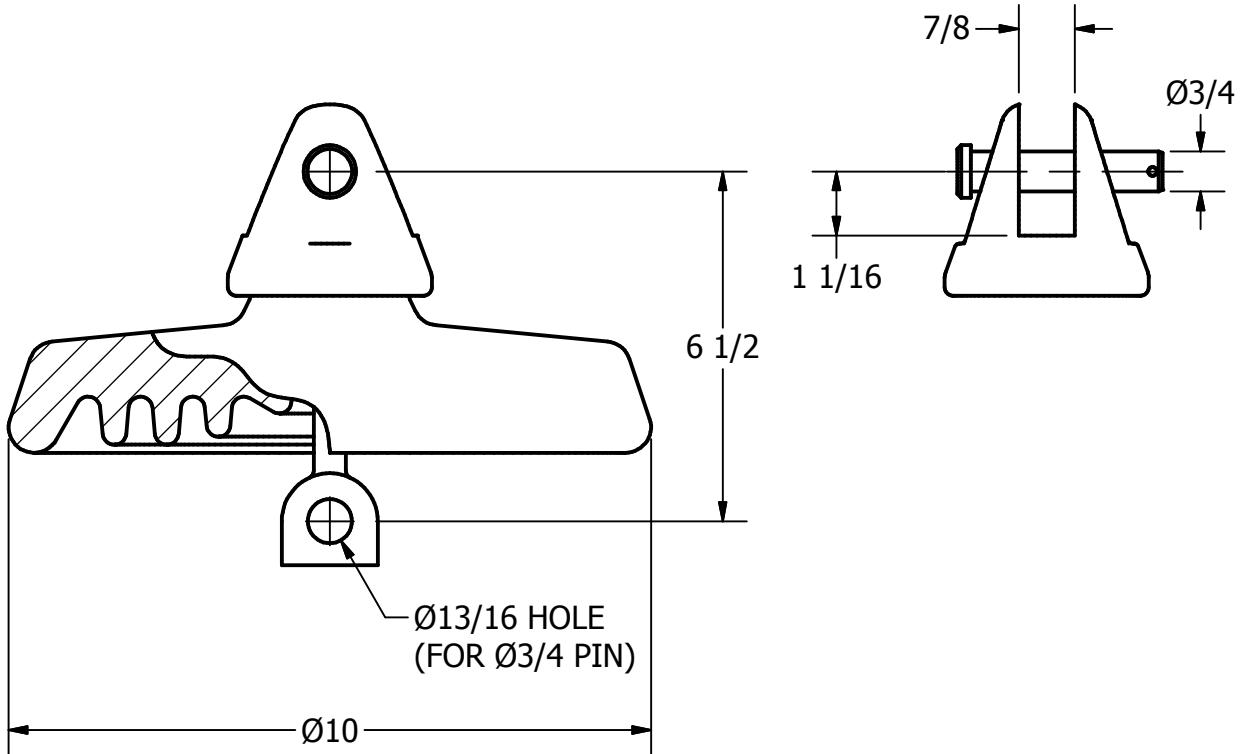
ANSI CLASS 52-3, 52-4

LOCATION					CONTRACT NO		CUST / CONTR		
REVISIONS									
REV	DESCRIPTION	DATE	BY	APR	INSULATOR, SUSPENSION, 5.75 IN				
3	REDRAWN IN INVENTOR	7-12-10	NF	EP					
					DRN BY: KH				
					DRN DATE: 12-7-88				
					CHK BY: MS				
					CHK DATE: 12-13-88				
					REV 3	DSI17-5.75-10			1 OF 1

ITEM NO

DWG NO
D-7335

THIS DRAWING AND ALL INFORMATION ON IT IS THE PROPERTY OF AFL. IT IS CONFIDENTIAL AND IT IS GIVEN TO YOU FOR A LIMITED PURPOSE AND MUST BE RETURNED UPON REQUEST. NEITHER THIS DRAWING OR ANY PART OF IT NOR ANY INFORMATION CONCERNING IT MAY BE COPIED, EXHIBITED, OR FURNISHED TO OTHERS NOR PHOTOGRAPHS TAKEN OF ANY ARTICLE FABRICATED OR ASSEMBLED FROM THE DRAWING WITHOUT THE CONSENT OF AFL.



ELECTRICAL VALUES

TEST VOLTAGE: 10 KV (RMS TO GROUND)
LEAKAGE DISTANCE: 11.5 IN
DRY ARCING DISTANCE: 7.75 IN

MATERIAL

BODY - VITRIFIED PORCELAIN
GLAZED LT. GRAY
FLANGE - MALLEABLE IRON ASTM A536
GALVANIZED TO ASTM A153

MECHANICAL VALUES

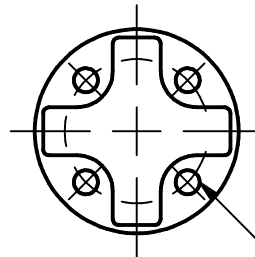
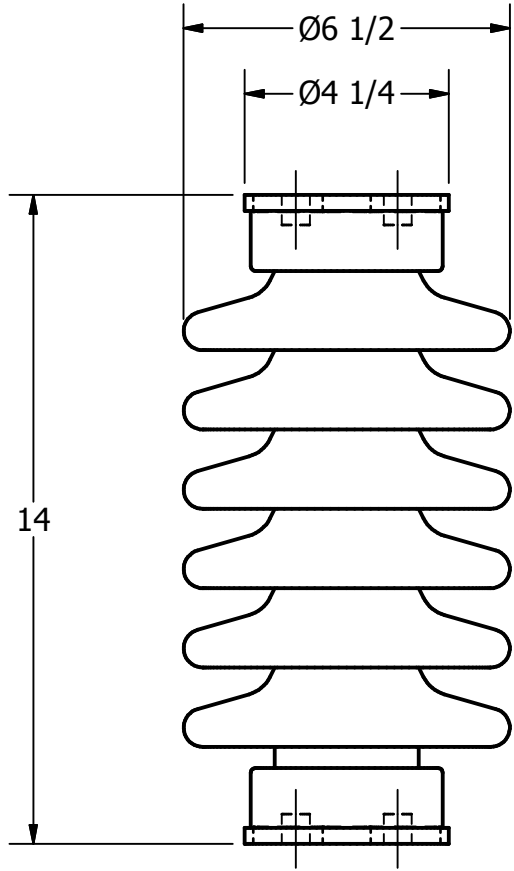
TENSION STRENGTH: 40,000 LB
MAX WORKING LOAD: 20,000 LB

ANSI CLASS 52-10

LOCATION					CONTRACT NO		CUST / CONTR	
REVISIONS								
REV	DESCRIPTION	DATE	BY	APR	INSULATOR, SUSPENSION, 6.5 IN			
2	REDRAWN IN INVENTOR	7-12-10	NF	EP				
					DRN BY: ET			
					DRN DATE: 12-8-88			
					CHK BY: RL			
					CHK DATE: 12-9-88			
					REV 2	DSI17-6.50-10		1 OF 1

ITEM NO

DWG NO
D-6873



1/2-13 x 5/8 DEEP HOLES (4)
ON 3 IN B.C. ON EACH SIDE

MECHANICAL VALUES

CANTILEVER STRENGTH: 2,000 LB
TENSION STRENGTH: 10,000 LB
COMPRESSION STRENGTH: 10,000 LB

ELECTRICAL VALUES

RATING: 23 KV
TEST VOLTAGE (RMS TO GROUND): 15 KV
LEAKAGE DISTANCE: 24 IN
DRY ARCING DISTANCE: 10.5 IN

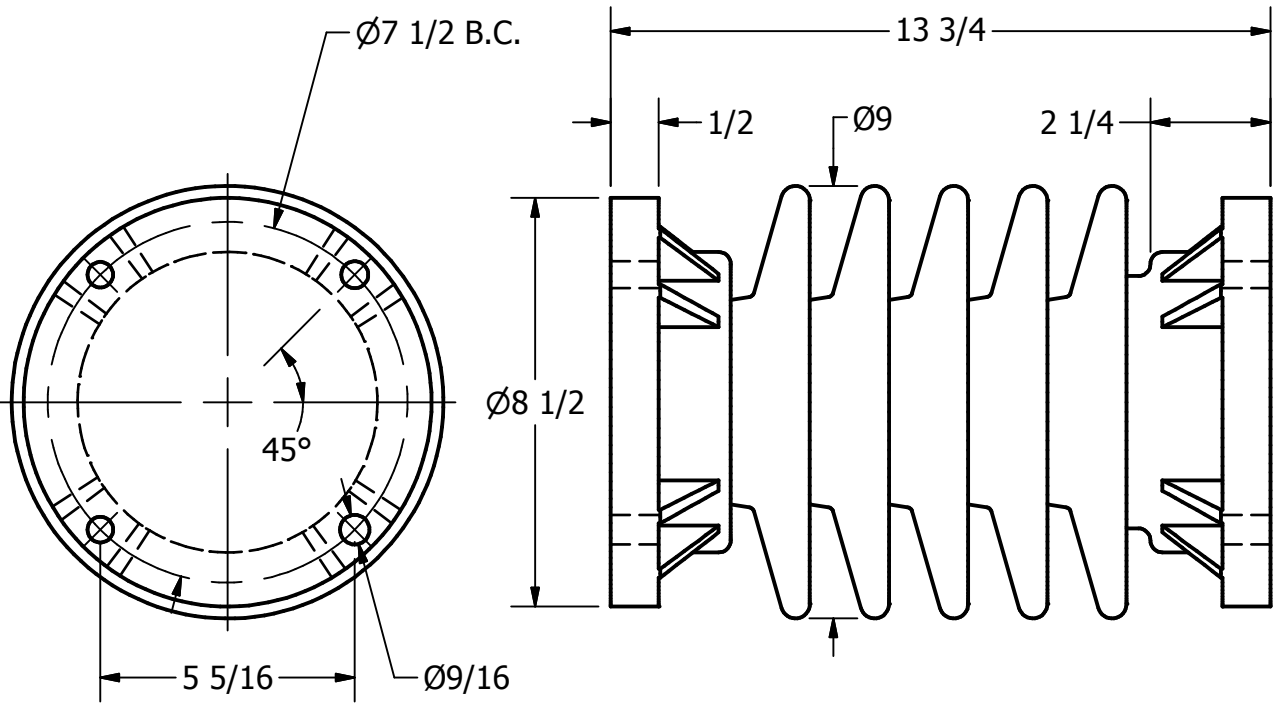
MATERIAL

BODY - VITRIFIED PORCELAIN
GLAZED LT. GRAY
BASE - MALLEABLE IRON ASTM A536
GALVANIZED TO ASTM A153

THIS DRAWING AND ALL INFORMATION ON IT IS THE PROPERTY OF AFL. IT IS CONFIDENTIAL AND IT IS GIVEN TO YOU FOR A LIMITED PURPOSE AND MUST BE RETURNED UPON REQUEST. NEITHER THIS DRAWING OR ANY PART OF IT NOR ANY INFORMATION CONCERNING IT MAY BE COPIED, EXHIBITED, OR FURNISHED TO OTHERS NOR PHOTOGRAPHS TAKEN OF ANY ARTICLE FABRICATED OR ASSEMBLED FROM THE DRAWING WITHOUT THE CONSENT OF AFL.

LOCATION					CONTRACT NO		CUST / CONTR	
REVISIONS					<p>DRN BY: BB DRN DATE: 8-31-07 CHK BY:</p> <p>FAFL DOSSERT®</p> <p>INSULATOR, CANTILEVER</p>			
REV	DESCRIPTION	DATE	BY	APR	CHK DATE:	REV 6		1 OF 1
6	REDRAWN IN INVENTOR	7-7-10	NF	EP		ICHI23-14-7-3		

THIS DRAWING AND ALL INFORMATION ON IT IS THE PROPERTY OF AFL. IT IS CONFIDENTIAL AND IT IS GIVEN TO YOU FOR A LIMITED PURPOSE AND MUST BE RETURNED UPON REQUEST. NEITHER THIS DRAWING OR ANY PART OF IT NOR ANY INFORMATION CONCERNING IT MAY BE COPIED, EXHIBITED, OR FURNISHED TO OTHERS NOR PHOTOGRAPHS TAKEN OF ANY ARTICLE FABRICATED OR ASSEMBLED FROM THE DRAWING WITHOUT THE CONSENT OF AFL.



MECHANICAL VALUES

CANTILEVER STRENGTH: 4,000 LB
 TENSION STRENGTH: 20,000 LB
 COMPRESSION STRENGTH: 20,000 LB

ELECTRICAL VALUES

RATING: 23 KV
 TEST VOLTAGE (RMS TO GROUND): 15 KV
 LEAKAGE DISTANCE: 24 IN
 DRY ARCING DISTANCE: 10.5 IN

MATERIAL

BODY - VITRIFIED PORCELAIN, GLAZED LIGHT GRAY
 FLANGES - MALLEABLE IRON ASTM A536, GALVANIZED TO ASTM A153

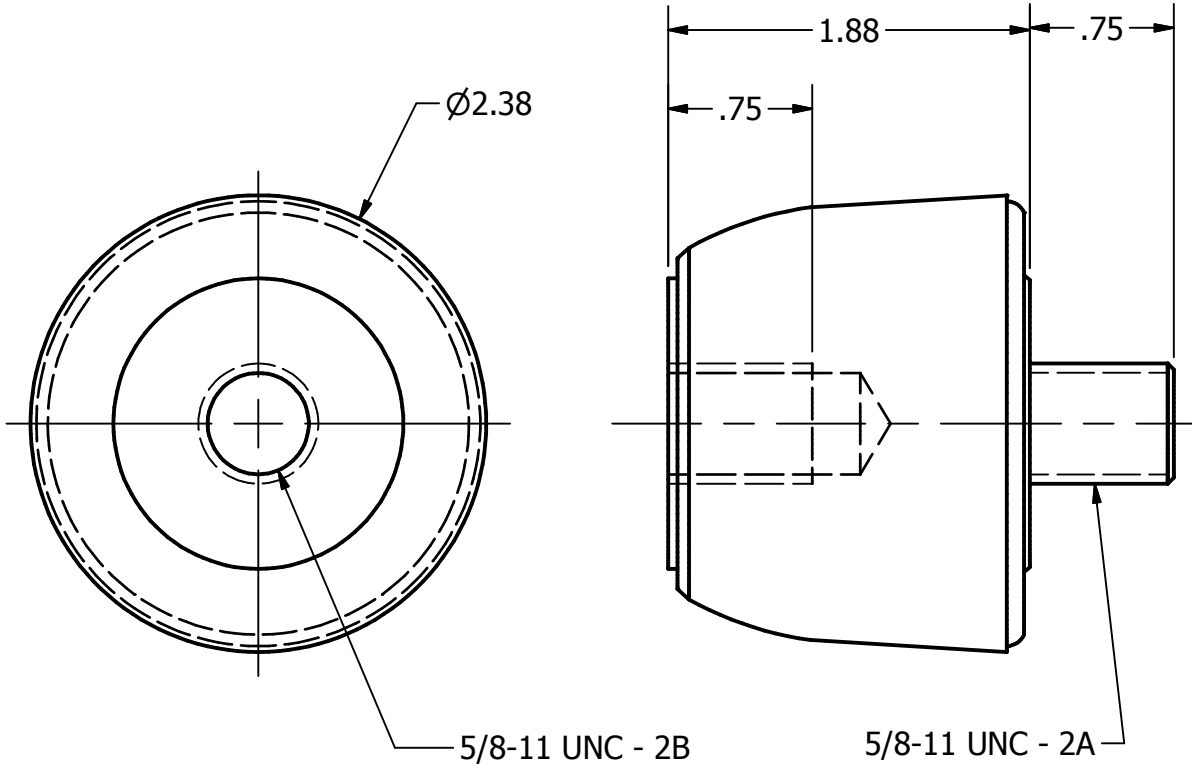
55 LB

LOCATION					CONTRACT NO		CUST / CONTR	
REVISIONS					DRN BY: KH DRN DATE: 9-14-88 CHK BY: JS CHK DATE: 9-16-88			
REV	DESCRIPTION	DATE	BY	APR	FAFL DOSSERT® INSULATOR, CANTILEVER			
1	REDRAWN IN INVENTOR	6-30-10	NF	EP				
					REV	1		1
					ICHI23-13.8-9-7.5			1 OF 1

ITEM NO

DWG NO

THIS DRAWING AND ALL INFORMATION ON IT IS THE PROPERTY OF AFL. IT IS CONFIDENTIAL AND IT IS GIVEN TO YOU FOR A LIMITED PURPOSE AND MUST BE RETURNED UPON REQUEST. NEITHER THIS DRAWING OR ANY PART OF IT NOR ANY INFORMATION CONCERNING IT MAY BE COPIED, EXHIBITED, OR FURNISHED TO OTHERS NOR PHOTOGRAPHS TAKEN OF ANY ARTICLE FABRICATED OR ASSEMBLED FROM THE DRAWING WITHOUT THE CONSENT OF AFL.

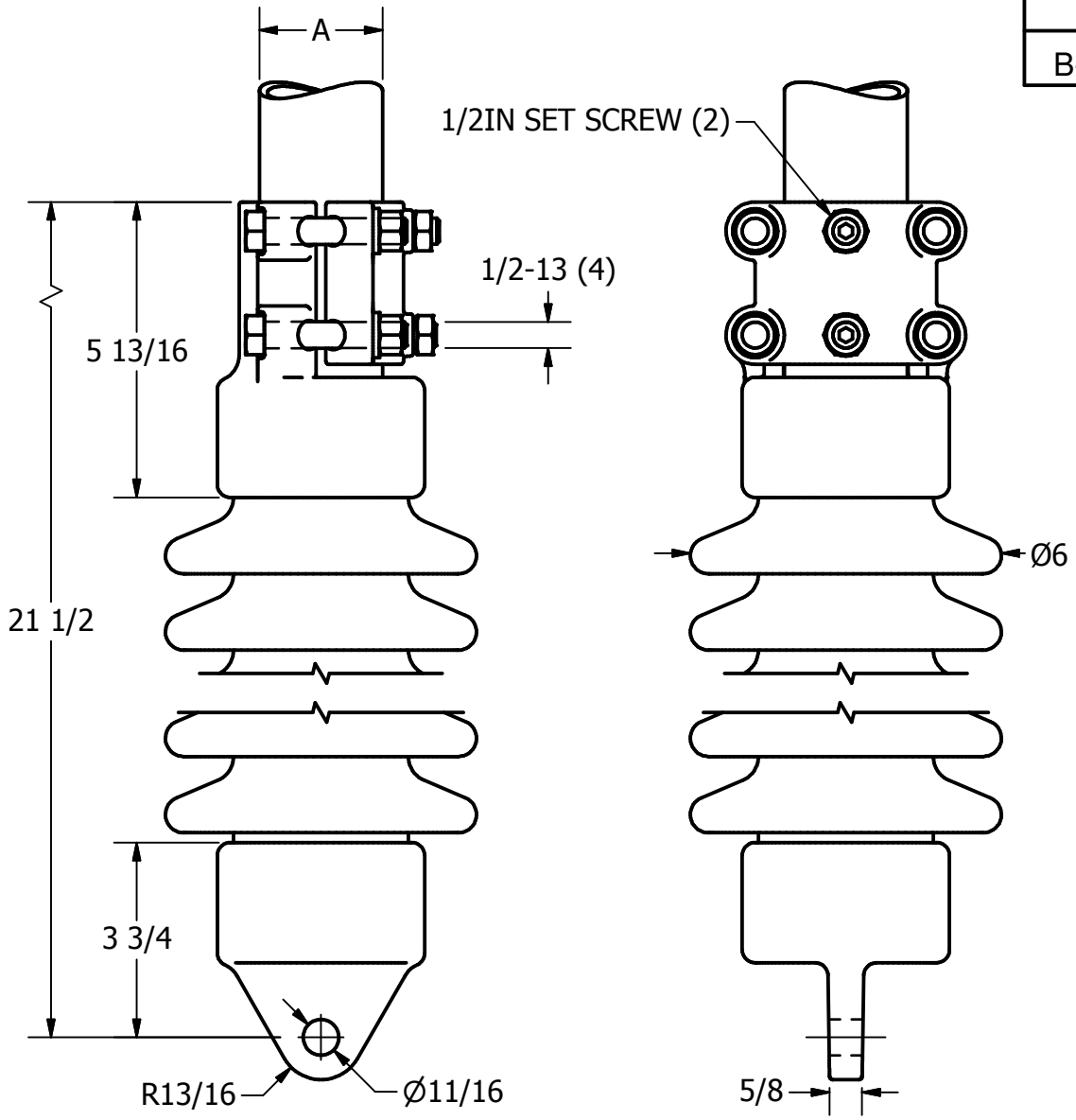


LOCATION					CONTRACT NO		CUST / CONTR	
REVISIONS					DRN BY:			
REV	DESCRIPTION	DATE	BY	APR	DRN DATE:			
					CHK BY:	INSULATOR, SPOOL		
					CHK DATE:	REV	INS-SPOOL	
								1 OF 1

ITEM NO

DWG NO
B-6873B

THIS DRAWING AND ALL INFORMATION ON IT IS THE PROPERTY OF AFL. IT IS CONFIDENTIAL AND IT IS GIVEN TO YOU FOR A LIMITED PURPOSE AND MUST BE RETURNED UPON REQUEST. NEITHER THIS DRAWING OR ANY PART OF IT NOR ANY INFORMATION CONCERNING IT MAY BE COPIED, EXHIBITED, OR FURNISHED TO OTHERS NOR PHOTOGRAPHS TAKEN OF ANY ARTICLE FABRICATED OR ASSEMBLED FROM THE DRAWING WITHOUT THE CONSENT OF AFL.



CATALOG NO.	PIPE SIZE "A"
ISHV-150-TP	1 1/2 IN SPS
ISHV-200-TP	2 IN SPS
ISHV-250-TP	2 1/2 IN SPS

MECHANICAL VALUES

TENSION - 25,000 LBS
 COMPRESSION - 13,500 LBS
 BENDING MOMENT - 23,000 IN-LBS

33 LB

ELECTRICAL VALUES

RATING: 23 KV
 TEST VOLTAGE (RMS TO GROUND): 13.3 KV
 CREEPAGE DISTANCE: 27 IN (MIN)
 DRY FLASHOVER: 162 KV (MIN)
 WET FLASHOVER: 129 KV (MIN)
 BIL: 235 KV (MIN)

MATERIAL

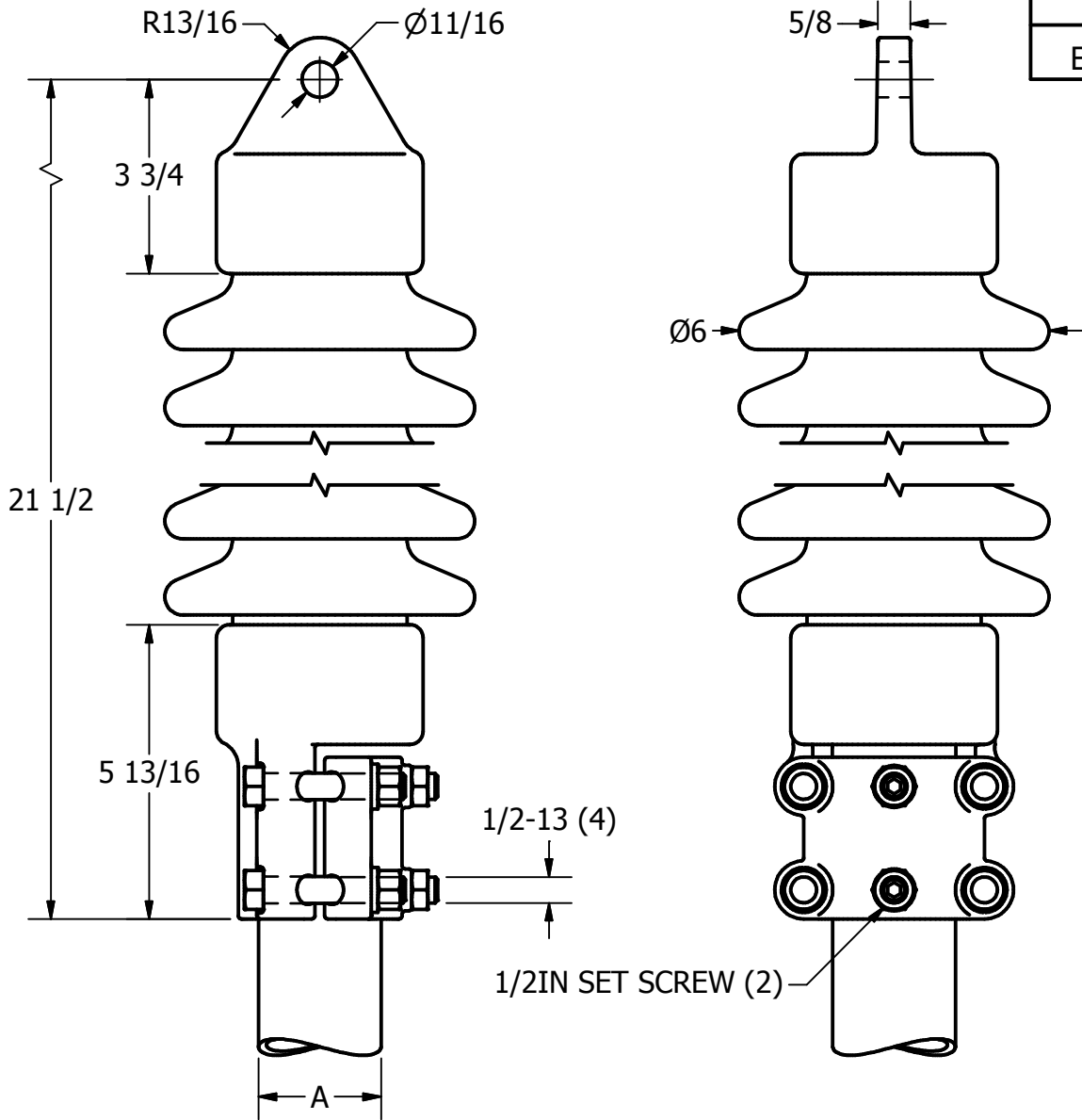
BODY - VITRIFIED PORCELAIN, GLAZED LT. GRAY
 END FITTINGS - ALUMINUM BRONZE ASTM B30

REVISIONS					DRN BY:	CONTRACT NO		CUST / CONTR		
REV	DESCRIPTION	DATE	BY	APR	BB			INSULATOR, STRUT		
6	REDRAWN IN INVENTOR	7-7-10	NF	EP	8-25-85					
					CHK BY:	ISHV-TP SERIES		1 OF 1		
					JS					
					CHK DATE:	REV				
					8-25-85	6				

ITEM NO

DWG NO
B-7676

THIS DRAWING AND ALL INFORMATION ON IT IS THE PROPERTY OF AFL. IT IS CONFIDENTIAL AND IT IS GIVEN TO YOU FOR A LIMITED PURPOSE AND MUST BE RETURNED UPON REQUEST. NEITHER THIS DRAWING OR ANY PART OF IT NOR ANY INFORMATION CONCERNING IT MAY BE COPIED, EXHIBITED, OR FURNISHED TO OTHERS NOR PHOTOGRAPHS TAKEN OF ANY ARTICLE FABRICATED OR ASSEMBLED FROM THE DRAWING WITHOUT THE CONSENT OF AFL.



CATALOG NO.	PIPE SIZE "A"
ISHV-150-TP-R	1 1/2 IN SPS
ISHV-200-TP-R	2 IN SPS
ISHV-250-TP-R	2 1/2 IN SPS

MECHANICAL VALUES

TENSION - 25,000 LBS
 COMPRESSION - 13,500 LBS
 BENDING MOMENT - 23,000 IN-LBS

33 LB

ELECTRICAL VALUES

RATING: 23 KV
 TEST VOLTAGE (RMS TO GROUND): 13.3 KV
 CREEPAGE DISTANCE: 27 IN (MIN)
 DRY FLASHOVER: 162 KV (MIN)
 WET FLASHOVER: 129 KV (MIN)
 BIL: 235 KV (MIN)

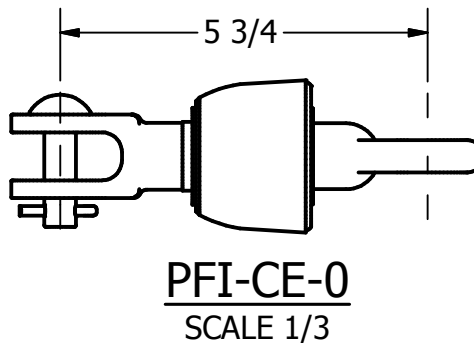
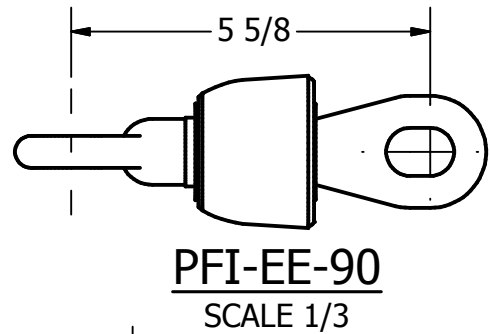
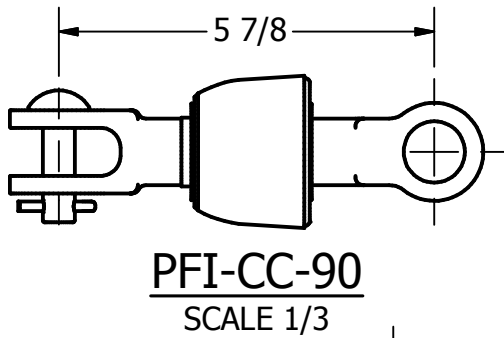
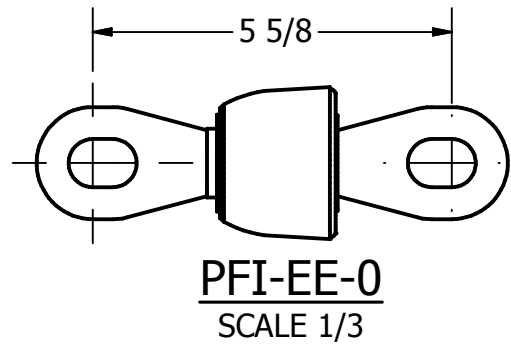
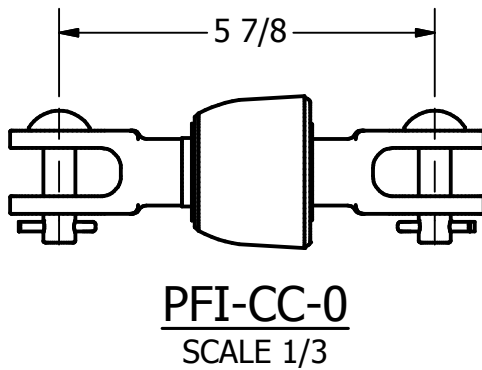
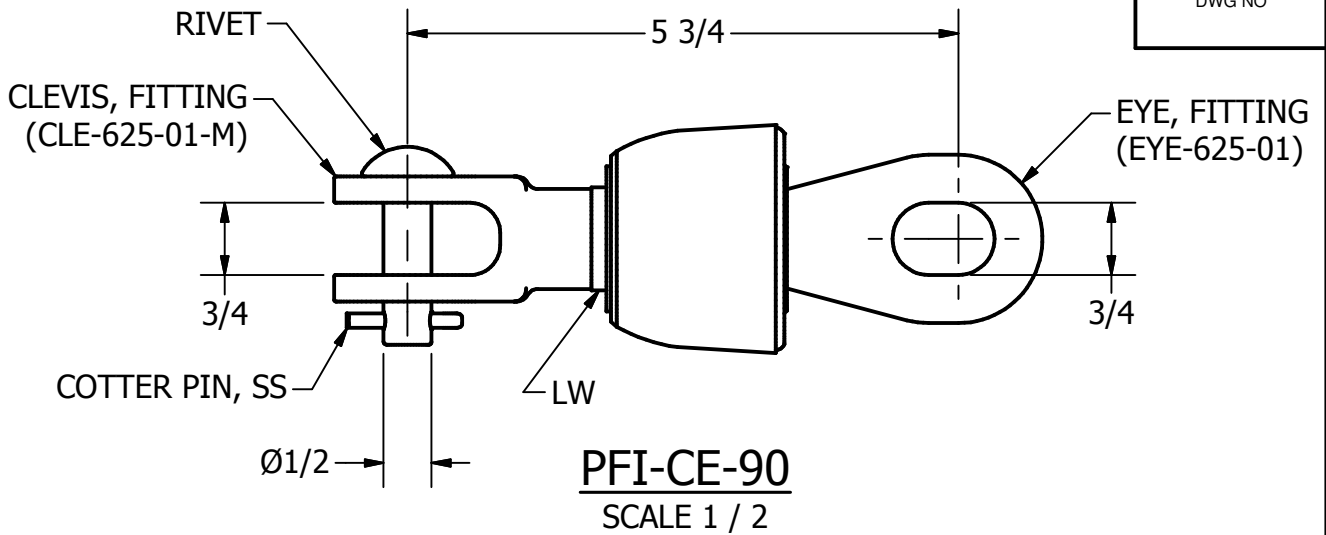
MATERIAL

BODY - VITRIFIED PORCELAIN, GLAZED LT. GRAY
 END FITTINGS - ALUMINUM BRONZE ASTM B30

REVISIONS					DRN BY:	CONTRACT NO		CUST / CONTR	
REV	DESCRIPTION	DATE	BY	APR	BB	FAFL DOSSERT®		INSULATOR, STRUT, REVERSED	
2	REDRAWN IN INVENTOR	7-7-10	NF	EP	2-16-93				
					CHK BY:	ISHV-TP-R SERIES		1 OF 1	
					JS				
					CHK DATE:	REV 2			
					2-16-93				

ITEM NO

DWG NO



THIS DRAWING AND ALL INFORMATION ON IT IS THE PROPERTY OF AFL. IT IS CONFIDENTIAL AND IT IS GIVEN TO YOU FOR A LIMITED PURPOSE AND MUST BE RETURNED UPON REQUEST. NEITHER THIS DRAWING OR ANY PART OF IT NOR ANY INFORMATION CONCERNING IT MAY BE COPIED, EXHIBITED, OR FURNISHED TO OTHERS NOR PHOTOGRAPHS TAKEN OF ANY ARTICLE FABRICATED OR ASSEMBLED FROM THE DRAWING WITHOUT THE CONSENT OF AFL.

LOCATION

CONTRACT NO

CUST / CONTR

REVISIONS				
REV	DESCRIPTION	DATE	BY	APR

DRN BY: BH
 DRN DATE: 10-14-09
 CHK BY:
 CHK DATE:

FAFL

DOSSERT®

INSULATOR, STRAIN

REV 0

PFI SERIES

1 OF 1