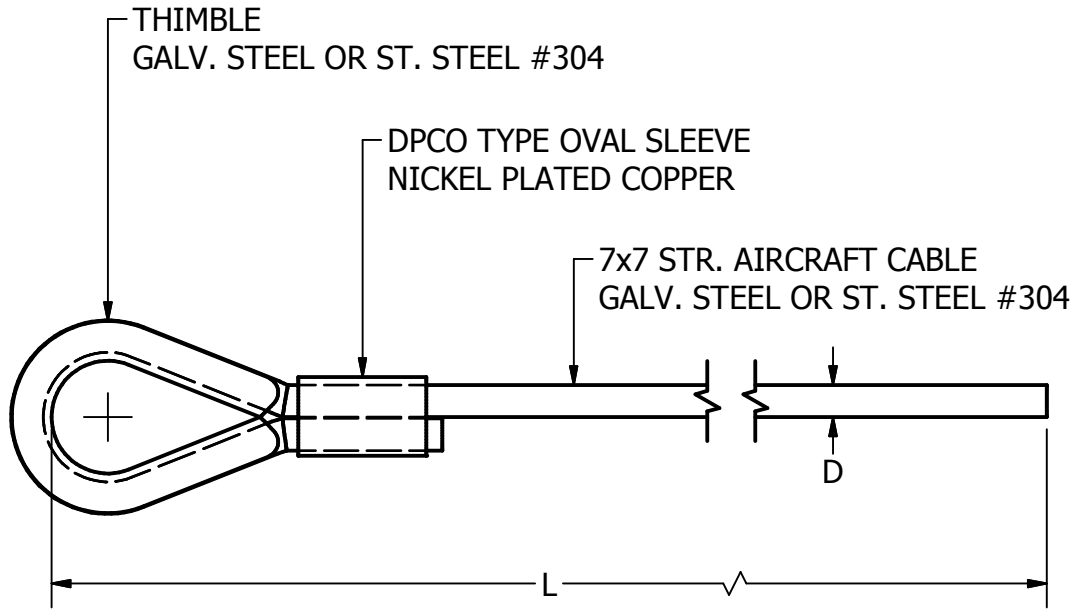


THIS DRAWING AND ALL INFORMATION ON IT IS THE PROPERTY OF AFL. IT IS CONFIDENTIAL AND IT IS GIVEN TO YOU FOR A LIMITED PURPOSE AND MUST BE RETURNED UPON REQUEST. NEITHER THIS DRAWING OR ANY PART OF IT NOR ANY INFORMATION CONCERNING IT MAY BE COPIED, EXHIBITED, OR FURNISHED TO OTHERS NOR PHOTOGRAPHS TAKEN OF ANY ARTICLE FABRICATED OR ASSEMBLED FROM THE DRAWING WITHOUT THE CONSENT OF AFL.

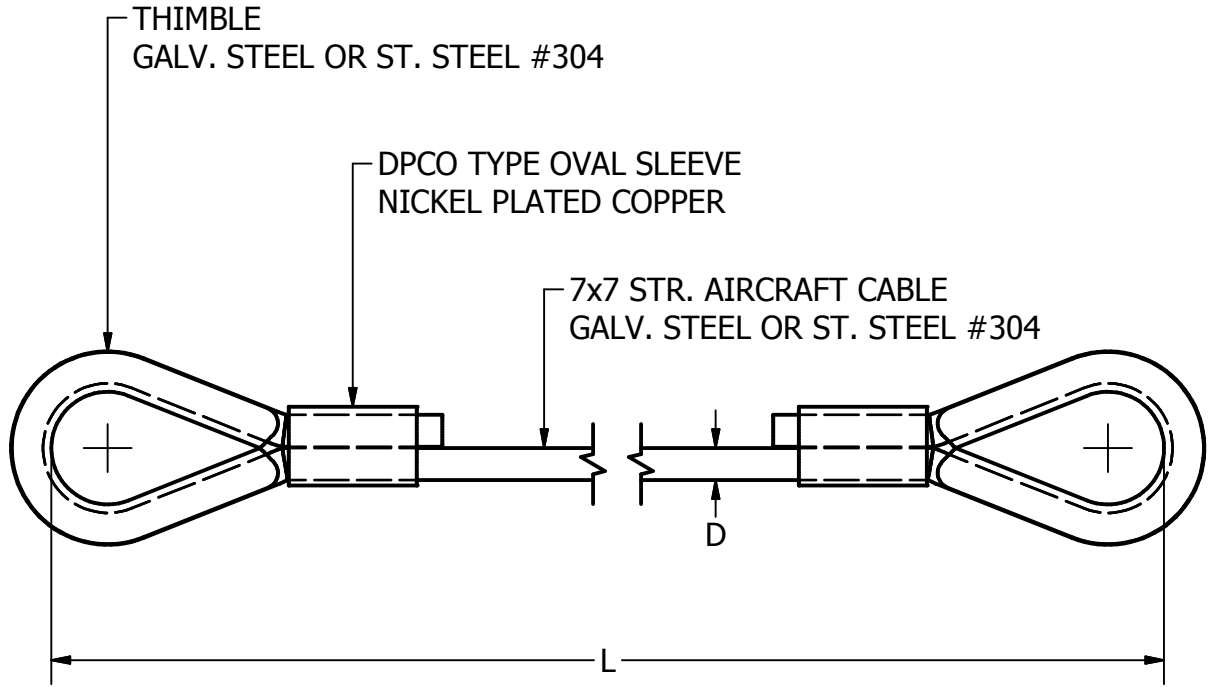


NOTE: LENGTH "L" TO BE SPECIFIED BY CUSTOMER

CATALOG NUMBER	D	OVAL SLEEVE	SAFE WORKING LOAD (LBS)
SCAF-19-IE-L	3/16	DPCO-19	1,850
SCAF-25-IE-L	1/4	DPCO-25	3,200
SCAF-28-IE-L	9/32	DPCO-28	3,900
SCAF-31-IE-L	5/16	DPCO-31	4,500
SCAF-38-IE-L	3/8	DPCO-38	6,000
SCAF-50-IE-L	1/2	DPCO-50	11,400

LOCATION					CONTRACT NO		CUST / CONTR	
REVISIONS								
REV	DESCRIPTION	DATE	BY	APR	CABLE, SUPPORT AND SUSPENSION			
1	REDRAWN IN INVENTOR	6-23-10	NF	EP	SCAF-IE-L SERIES			
DRN BY: ES DRN DATE: 5-31-83 CHK BY: JS CHK DATE: 6-1-83					REV 1	1 OF 1		

THIS DRAWING AND ALL INFORMATION ON IT IS THE PROPERTY OF AFL. IT IS CONFIDENTIAL AND IT IS GIVEN TO YOU FOR A LIMITED PURPOSE AND MUST BE RETURNED UPON REQUEST. NEITHER THIS DRAWING OR ANY PART OF IT NOR ANY INFORMATION CONCERNING IT MAY BE COPIED, EXHIBITED, OR FURNISHED TO OTHERS NOR PHOTOGRAPHS TAKEN OF ANY ARTICLE FABRICATED OR ASSEMBLED FROM THE DRAWING WITHOUT THE CONSENT OF AFL.



NOTE: LENGTH "L" TO BE SPECIFIED BY CUSTOMER

CATALOG NUMBER	D	OVAL SLEEVE	SAFE WORKING LOAD (LBS)
SCAF-19-L	3/16	DPCO-19	1,850
SCAF-25-L	1/4	DPCO-25	3,200
SCAF-28-L	9/32	DPCO-28	3,900
SCAF-31-L	5/16	DPCO-31	4,500
SCAF-38-L	3/8	DPCO-38	6,000
SCAF-50-L	1/2	DPCO-50	11,400

LOCATION				CONTRACT NO		CUST / CONTR	
REVISIONS				<div style="display: flex; justify-content: space-between; align-items: center;"> </div> <p style="text-align: center; margin-top: 10px;">CABLE, SUPPORT AND SUSPENSION</p>			
REV	DESCRIPTION	DATE	BY				
3	REDRAWN IN INVENTOR	6-23-10	NF	EP	CHK DATE: 6-1-83		
				REV 3	SCAF-L SERIES		1 OF 1