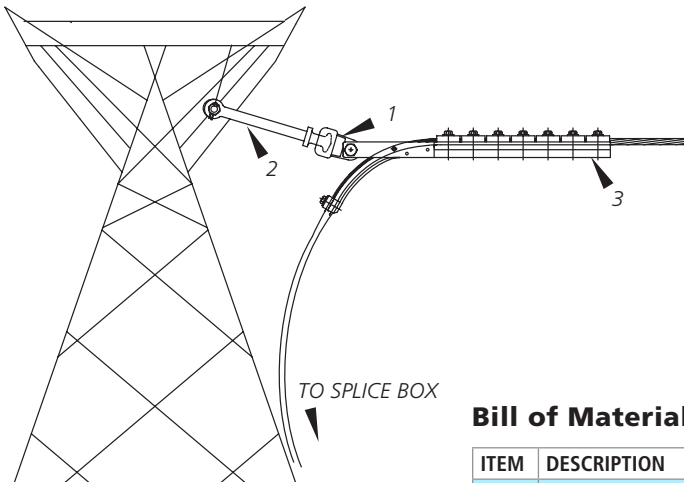


## OPGW Single Dead End Lattice Tower Configuration Assemblies



**AFL NO.**

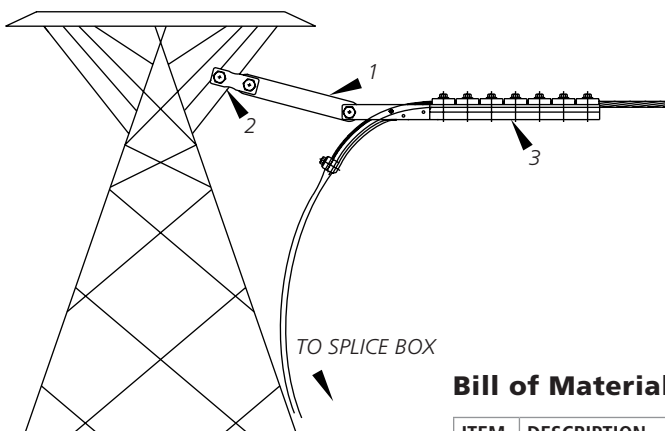
**OLTDE1 - DNOXXXX**

Assembly Code

Cable Spec. Number

### Bill of Material

ITEM	DESCRIPTION	MATERIAL	AFL OR DWG. NO.	REQ'D	REMARKS
1	Socket Eye	Galvanized Steel	SE-BDE	1	
2	Y-Clevis Ball Hot Link	Galvanized Steel	YCBHL	1	Pin Dia. = 0.75" (19 mm)
3	Bolted Dead End (Included)	Aluminum	Determined by AFL	1	



**AFL NO.**

**OLTDE2 - DNOXXXX**

Assembly Code

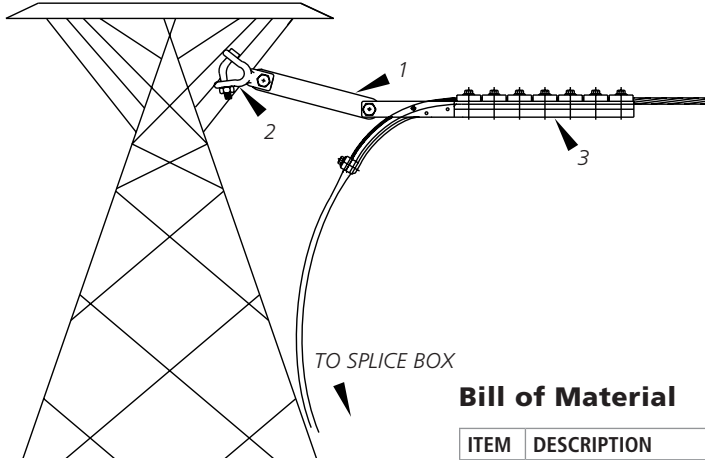
Cable Spec. Number

### Bill of Material

ITEM	DESCRIPTION	MATERIAL	AFL OR DWG. NO.	REQ'D	REMARKS
1	Link Plate	Aluminum	ODELPI0	1	
2	Y-Clevis Clevis	Galvanized Steel	YCC	1	Pin Dia. = 0.75" (19 mm)
3	Bolted Dead End (Included)	Aluminum	Determined by AFL	1	

Accessories enlarged for clarity

OPGW Single Dead End Lattice Tower Configuration Assemblies (cont.)



AFL NO.

**OLTDE3** - **DNOXXXX**

Assembly Code

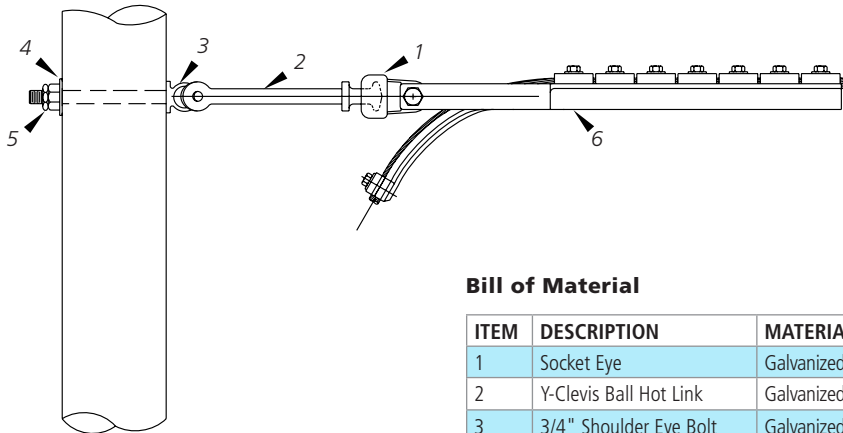
Cable Spec. Number

Bill of Material

ITEM	DESCRIPTION	MATERIAL	AFL OR DWG. NO.	REQ'D	REMARKS
1	Link Plate	Aluminum	ODELP10	1	
2	Y-Clevis Clevis 90	Galvanized Steel	YCC-90	1	Pin Dia. = 0.75" (19 mm)
3	Bolted Dead End (Included)	Aluminum	Determined by AFL	1	

Accessories enlarged for clarity

## OPGW Single Dead End Wood Pole/H-Frame Configuration Assemblies



### AFL NO.

**OWPDE1**

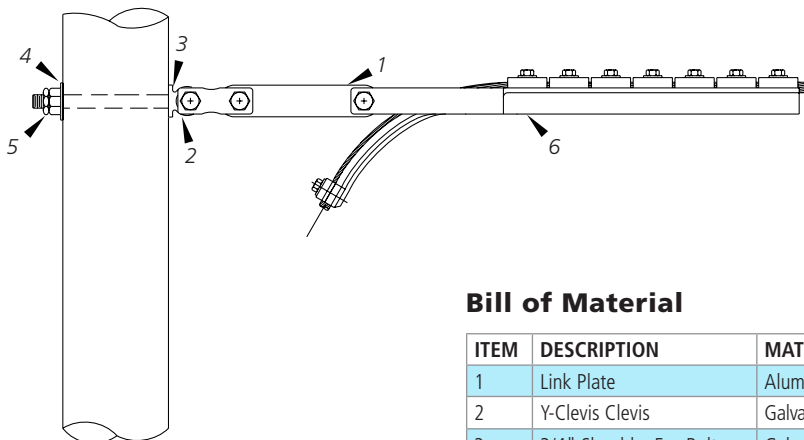
Assembly Code

**DNOXXXX**

Cable Spec. Number

### Bill of Material

ITEM	DESCRIPTION	MATERIAL	AFL OR DWG. NO.	REQ'D	REMARKS
1	Socket Eye	Galvanized Steel	SE-BDE	1	
2	Y-Clevis Ball Hot Link	Galvanized Steel	YCBHL	1	Pin Dia. = 0.75" (19 mm)
3	3/4" Shoulder Eye Bolt	Galvanized Steel	SEB-3/4-14	1	Length = 14"
4	3/4" Washer Nut	Galvanized Steel	WN-3/4	1	
5	3/4" MF Lock Nut	Galvanized Steel	LN-3/4	1	
6	Bolted Deadend (Included)	Aluminum	Determined by AFL	1	



### AFL NO.

**OWPDE2**

Assembly Code

**DNOXXXX**

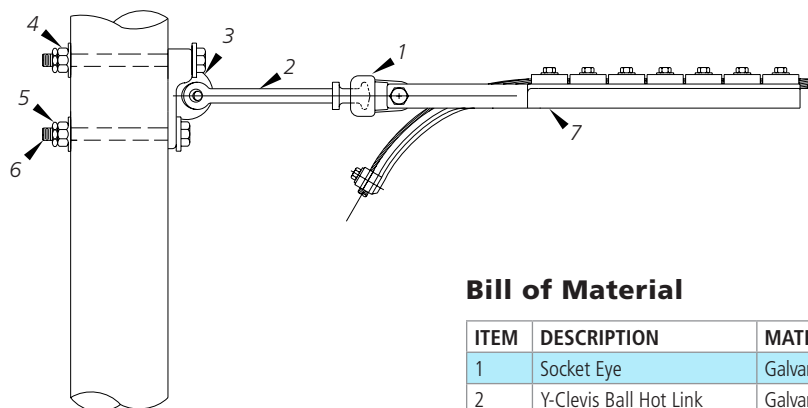
Cable Spec. Number

### Bill of Material

ITEM	DESCRIPTION	MATERIAL	AFL OR DWG. NO.	REQ'D	REMARKS
1	Link Plate	Aluminum	ODELP10	1	
2	Y-Clevis Clevis	Galvanized Steel	YCC	1	Pin Dia. = 0.75" (19 mm)
3	3/4" Shoulder Eye Bolt	Galvanized Steel	SEB-3/4-14	1	Length = 14"
4	3/4" Washer Nut	Galvanized Steel	WN-3/4	1	
5	3/4" MF Lock Nut	Galvanized Steel	LN-3/4	1	
6	Bolted Deadend (Included)	Aluminum	Determined by AFL	1	

Accessories enlarged for clarity

## OPGW Single Dead End Wood Pole/H-Frame Configuration Assemblies (cont.)



**AFL NO.**

**OWPDE3**

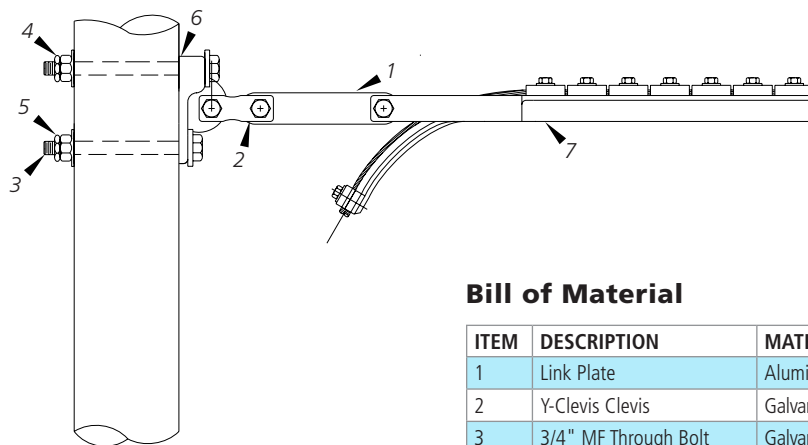
Assembly Code

**DNOXXXX**

Cable Spec. Number

### Bill of Material

ITEM	DESCRIPTION	MATERIAL	AFL OR DWG. NO.	REQ'D	REMARKS
1	Socket Eye	Galvanized Steel	SE-BDE	1	
2	Y-Clevis Ball Hot Link	Galvanized Steel	YCBHL	1	Pin Dia. = 0.75" (19 mm)
3	Eye Plate	Galvanized Steel	EP1	1	
4	3/4" Washer Nut	Galvanized Steel	WN-3/4	2	
5	3/4" MF Lock Nut	Galvanized Steel	LN-3/4	2	
6	3/4" MF Through Bolt	Galvanized Steel	TB-3/4-14	2	Length = 14"
7	Bolted Deadend (Included)	Aluminum	Determined by AFL	1	



**AFL NO.**

**OWPDE4**

Assembly Code

**DNOXXXX**

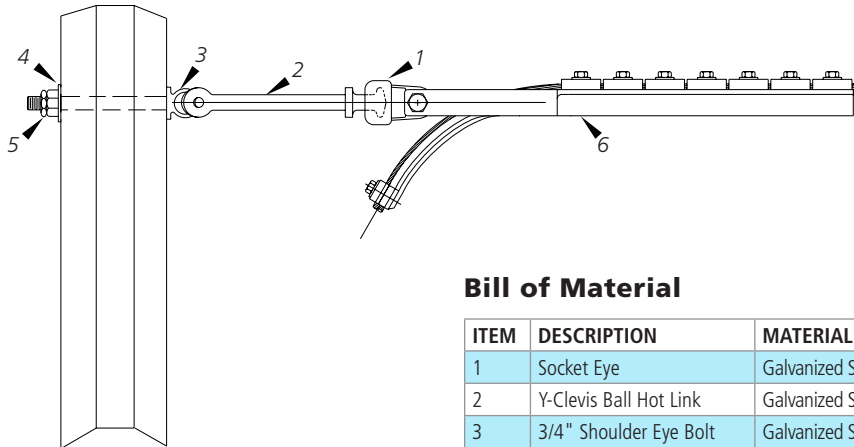
Cable Spec. Number

### Bill of Material

ITEM	DESCRIPTION	MATERIAL	AFL OR DWG. NO.	REQ'D	REMARKS
1	Link Plate	Aluminum	ODEL10	1	
2	Y-Clevis Clevis	Galvanized Steel	YCC	1	Pin Dia. = 0.75" (19 mm)
3	3/4" MF Through Bolt	Galvanized Steel	TB-3/4-14	2	Length = 14"
4	3/4" Washer Nut	Galvanized Steel	WN-3/4	2	
5	3/4" MF Lock Nut	Galvanized Steel	LN-3/4	2	
6	Eye Plate	Galvanized Steel	EP1	1	
7	Bolted Deadend (Included)	Aluminum	Determined by AFL	1	

Accessories enlarged for clarity

## OPGW Single Dead End Steel Pole/Drilled Configuration Assemblies

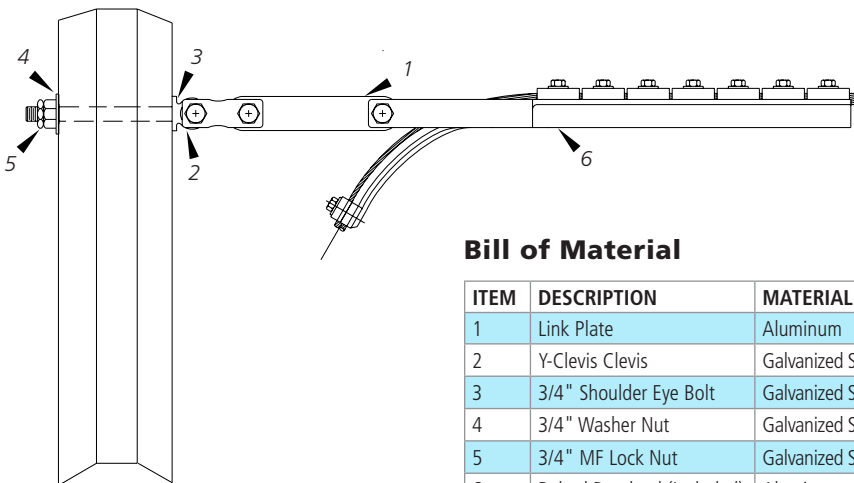


**AFL NO.**

**OSPDE1** - **DNOXXXX**  
 Assembly Code      Cable Spec. Number

### Bill of Material

ITEM	DESCRIPTION	MATERIAL	AFL OR DWG. NO.	REQ'D	REMARKS
1	Socket Eye	Galvanized Steel	SE-BDE	1	
2	Y-Clevis Ball Hot Link	Galvanized Steel	YCBHL	1	Pin Dia. = 0.75" (19 mm)
3	3/4" Shoulder Eye Bolt	Galvanized Steel	SEB-3/4-14	1	Length = 14"
4	3/4" Washer Nut	Galvanized Steel	WN-3/4	1	
5	3/4" MF Lock Nut	Galvanized Steel	LN-3/4	1	
6	Bolted Deadend (Included)	Aluminum	Determined by AFL	1	



**AFL NO.**

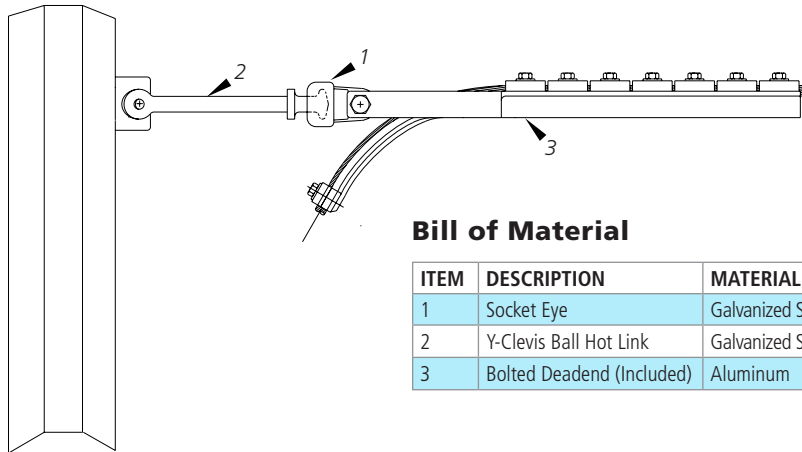
**OSPDE2** - **DNOXXXX**  
 Assembly Code      Cable Spec. Number

### Bill of Material

ITEM	DESCRIPTION	MATERIAL	AFL OR DWG. NO.	REQ'D	REMARKS
1	Link Plate	Aluminum	ODELP10	1	
2	Y-Clevis Clevis	Galvanized Steel	YCC	1	Pin Dia. = 0.75" (19 mm)
3	3/4" Shoulder Eye Bolt	Galvanized Steel	SEB-3/4-14	1	Length = 14"
4	3/4" Washer Nut	Galvanized Steel	WN-3/4	1	
5	3/4" MF Lock Nut	Galvanized Steel	LN-3/4	1	
6	Bolted Deadend (Included)	Aluminum	Determined by AFL	1	

Accessories enlarged for clarity

### OPGW Single Dead End Steel Pole/Vang Configuration Assemblies

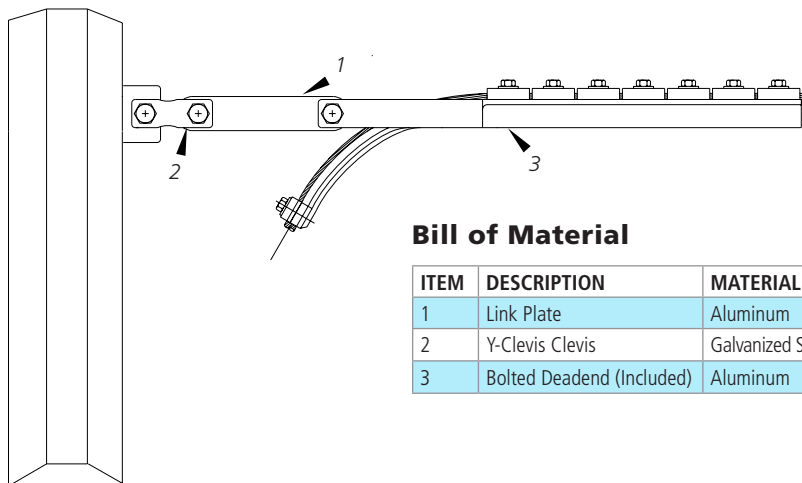


**AFL NO.**

**OSPDE3** - **DNOXXXX**  
 Assembly Code - Cable Spec. Number

**Bill of Material**

ITEM	DESCRIPTION	MATERIAL	AFL OR DWG. NO.	REQ'D	REMARKS
1	Socket Eye	Galvanized Steel	SE-BDE	1	
2	Y-Clevis Ball Hot Link	Galvanized Steel	YCBHL	1	Pin Dia. = 0.75" (19 mm)
3	Bolted Deadend (Included)	Aluminum	Determined by AFL	1	



**AFL NO.**

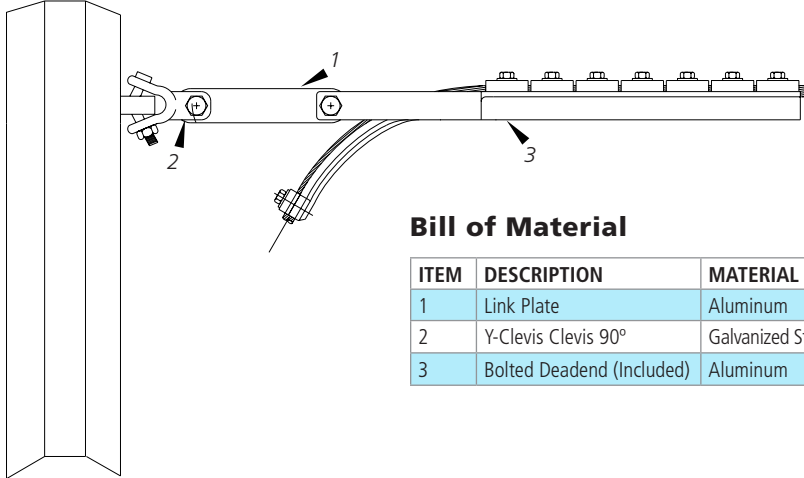
**OSPDE4** - **DNOXXXX**  
 Assembly Code - Cable Spec. Number

**Bill of Material**

ITEM	DESCRIPTION	MATERIAL	AFL OR DWG. NO.	REQ'D	REMARKS
1	Link Plate	Aluminum	ODEL10	1	
2	Y-Clevis Clevis	Galvanized Steel	YCC	1	Pin Dia. = 0.75" (19 mm)
3	Bolted Deadend (Included)	Aluminum	Determined by AFL	1	

Accessories enlarged for clarity

## OPGW Single Dead End Steel Pole/Vang Configuration Assemblies (cont.)



**AFL NO.**

**OSPDE5 - DNOXXXX**

Assembly Code

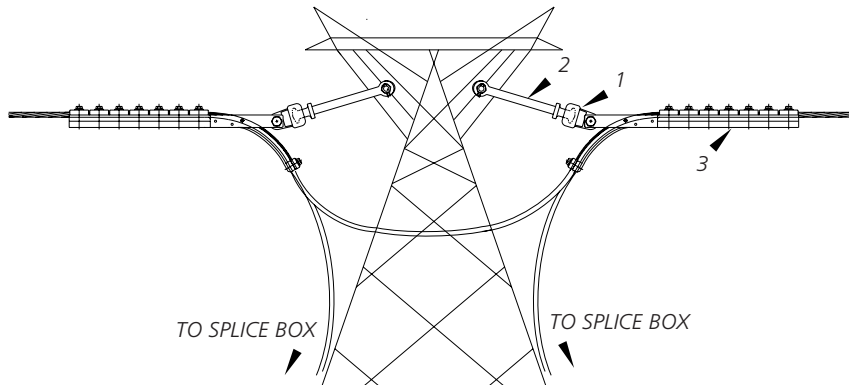
Cable Spec. Number

### Bill of Material

ITEM	DESCRIPTION	MATERIAL	AFL OR DWG. NO.	REQ'D	REMARKS
1	Link Plate	Aluminum	ODELP10	1	
2	Y-Clevis Clevis 90°	Galvanized Steel	YCC-90	1	Pin Dia. = 0.75" (19 mm)
3	Bolted Deadend (Included)	Aluminum	Determined by AFL	1	

Accessories enlarged for clarity

## OPGW Double Dead End Lattice Tower Configuration Assemblies



**AFL NO.**

**OLTDD1**

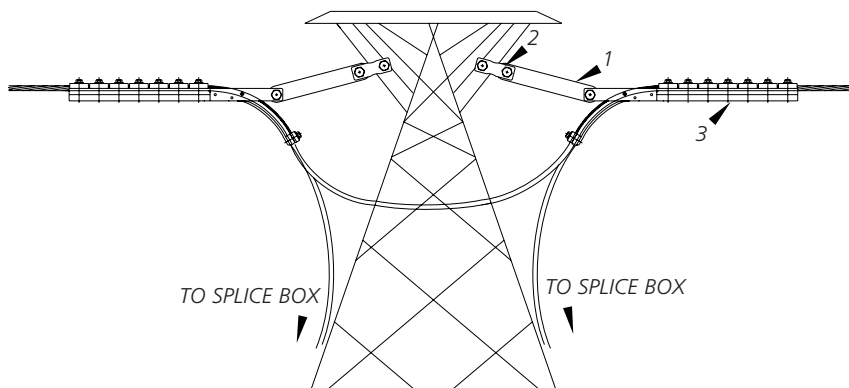
**DNOXXXX**

Assembly Code

Cable Spec.  
Number

### Bill of Material

ITEM	DESCRIPTION	MATERIAL	AFL OR DWG. NO.	REQ'D	REMARKS
1	Socket Eye	Galvanized Steel	SE-BDE	2	
2	Y-Clevis Ball Hot Link	Galvanized Steel	YCBHL	2	Pin Dia. = 0.75" (19 mm)
3	Bolted Dead End (Included)	Aluminum	Determined by AFL	2	



**AFL NO.**

**OLTDD2**

**DNOXXXX**

Assembly Code

Cable Spec.  
Number

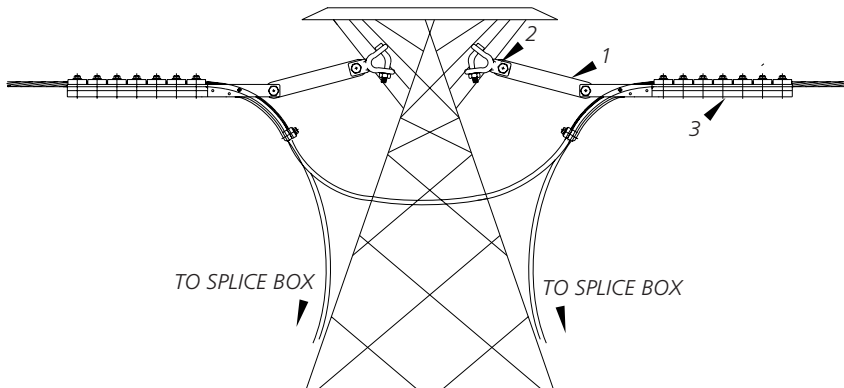
### Bill of Material

ITEM	DESCRIPTION	MATERIAL	AFL OR DWG. NO.	REQ'D	REMARKS
1	Link Plate	Aluminum	ODEL10	2	
2	Y-Clevis Clevis	Galvanized Steel	YCC	2	Pin Dia. = 0.75" (19 mm)
3	Bolted Dead End (Included)	Aluminum	Determined by AFL	2	

Accessories enlarged for clarity



## OPGW Double Dead End Lattice Tower Configuration Assemblies (cont.)



**AFL NO.**

**OLTDD3** - **DNOXXXX**

Assembly Code

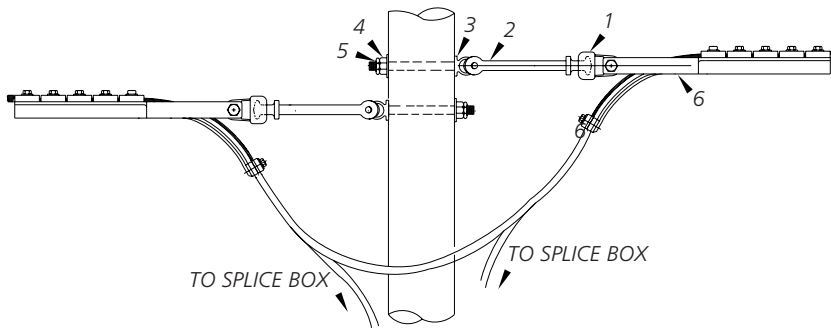
Cable Spec. Number

### Bill of Material

ITEM	DESCRIPTION	MATERIAL	AFL OR DWG. NO.	REQ'D	REMARKS
1	Link Plate	Aluminum	ODELP10	2	
2	Y-Clevis Clevis 90	Galvanized Steel	YCC-90	2	Pin Dia. = 0.75" (19 mm)
3	Bolted Dead End (Included)	Aluminum	Determined by AFL	2	

Accessories enlarged for clarity

## OPGW Double Dead End Wood Pole/H-Frame Configuration Assemblies



**AFL NO.**

**OWPDD1**

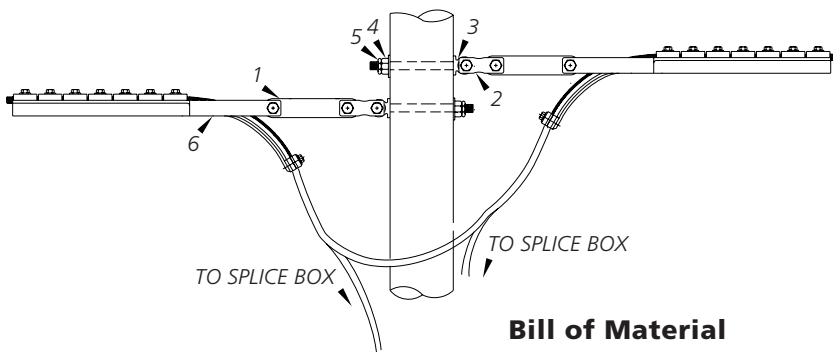
Assembly Code

**DNOXXXX**

Cable Spec. Number

### Bill of Material

ITEM	DESCRIPTION	MATERIAL	AFL OR DWG. NO.	REQ'D	REMARKS
1	Socket Eye	Galvanized Steel	SE-BDE	2	
2	Y-Clevis Ball Hot Link	Galvanized Steel	YCBHL	2	Pin Dia. = 0.75" (19 mm)
3	3/4" Shoulder Eye Bolt	Galvanized Steel	SEB-3/4-14	2	Length = 14"
4	3/4" Washer Nut	Galvanized Steel	WN-3/4	2	
5	3/4" MF Lock Nut	Galvanized Steel	LN-3/4	2	
6	Bolted Deadend (Included)	Aluminum	Determined by AFL	2	



**AFL NO.**

**OWPDD2**

Assembly Code

**DNOXXXX**

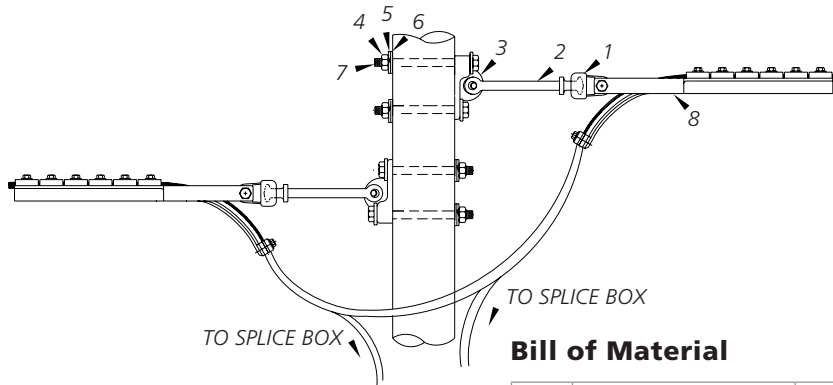
Cable Spec. Number

### Bill of Material

ITEM	DESCRIPTION	MATERIAL	AFL OR DWG. NO.	REQ'D	REMARKS
1	Link Plate	Aluminum	ODEL10	2	
2	Y-Clevis Clevis	Galvanized Steel	YCC	2	Pin Dia. = 0.75" (19 mm)
3	3/4" Shoulder Eye Bolt	Galvanized Steel	SEB-3/4-14	2	
4	3/4" Washer Nut	Galvanized Steel	WN-3/4	2	
5	3/4" MF Lock Nut	Galvanized Steel	LN-3/4	2	
6	Bolted Deadend (Included)	Aluminum	Determined by AFL	2	

Accessories enlarged for clarity

## OPGW Double Dead End Wood Pole/H-Frame Configuration Assemblies (cont.)



**AFL NO.**

**OWPDD3**

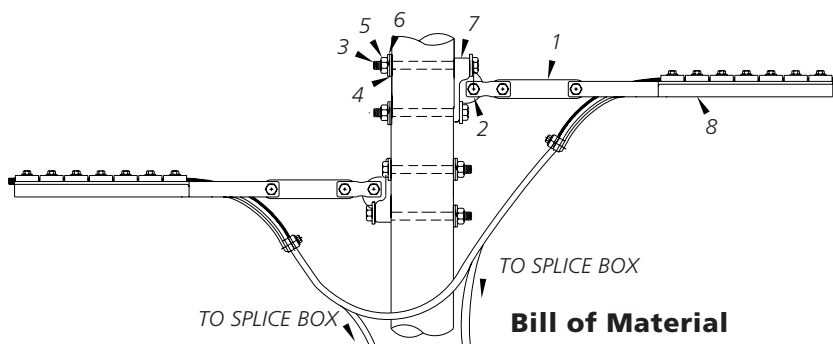
Assembly Code

**DNOXXXX**

Cable Spec. Number

### Bill of Material

ITEM	DESCRIPTION	MATERIAL	AFL OR DWG. NO.	REQ'D	REMARKS
1	Socket Eye	Galvanized Steel	SE-BDE	2	
2	Y-Clevis Ball Hot Link	Galvanized Steel	YCBHL	2	Pin Dia. = 0.75" (19 mm)
3	Eye Plate	Galvanized Steel	EP1	2	
4	3/4" Lock Washer Nut	Galvanized Steel	LW-3/4	4	
5	3/4" Nut	Galvanized Steel	HN-3/4	4	
6	3/4" Flat Washer	Galvanized Steel	FW -3/4	4	
7	3/4" Through Bolt	Galvanized Steel	TB-3/4-14	4	Length = 14"
8	Bolted Deadend (Included)	Aluminum	Determined by AFL	2	



**AFL NO.**

**OWPDD4**

Assembly Code

**DNOXXXX**

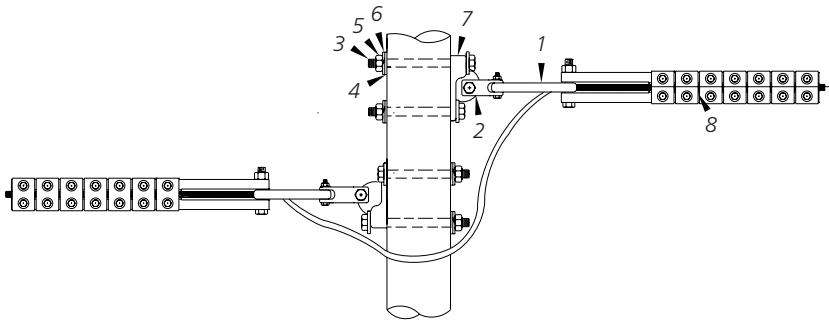
Cable Spec. Number

### Bill of Material

ITEM	DESCRIPTION	MATERIAL	AFL OR DWG. NO.	REQ'D	REMARKS
1	Link Plate	Aluminum	ODELP10	2	
2	Y-Clevis Clevis	Galvanized Steel	YCC	2	Pin Dia. = 0.75" (19 mm)
3	3/4" Through Bolt	Galvanized Steel	TB-3/4-14	4	Length = 14"
4	3/4" Flat Washer	Galvanized Steel	FN-3/4	4	
5	3/4" Nut	Galvanized Steel	HN-3/4	4	
6	3/4" Lock Washer	Galvanized Steel	LW-3/4	4	
7	Eye Plate	Galvanized Steel	EP1	2	
8	Bolted Deadend (Included)	Aluminum	Determined by AFL	2	

Accessories enlarged for clarity

## OPGW Double Dead End Wood Pole/H-Frame Configuration Assemblies (cont.)



**AFL NO.**

**OWPDD5**

Assembly Code

**DNOXXXX**

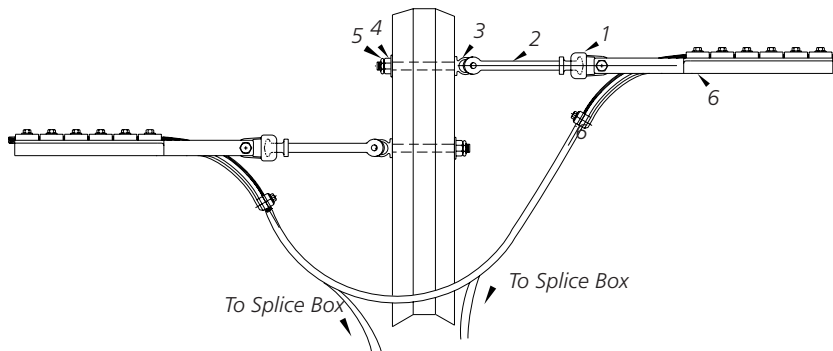
Cable Spec. Number

### Bill of Material

ITEM	DESCRIPTION	MATERIAL	AFL OR DWG. NO.	REQ'D	REMARKS
1	Link Plate	Aluminum	ODEL P10	2	
2	Y-Clevis Clevis 90°	Galvanized Steel	YCC-90	2	Pin Dia. = 0.75" (19 mm)
3	3/4" Through Bolt	Galvanized Steel	TB-3/4-14	4	Length = 14"
4	3/4" Flat Washer	Galvanized Steel	FN-3/4	4	
5	3/4" Nut	Galvanized Steel	HN-3/4	4	
6	3/4" Lock Washer	Galvanized Steel	LW-3/4	4	
7	Eye Plate	Galvanized Steel	EP1	2	
8	Bolted Deadend (Included)	Aluminum	Determined by AFL	2	

Accessories enlarged for clarity

## OPGW Double Dead End Steel Pole/Drilled Configuration Assemblies



**AFL NO.**

**OSPDD1**

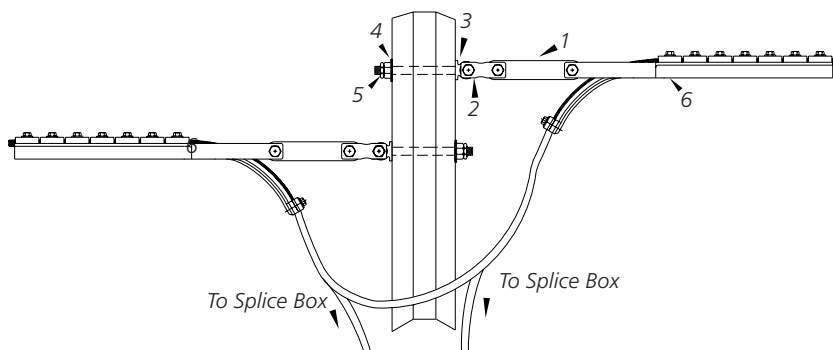
Assembly Code

**DNOXXXX**

Cable Spec. Number

### Bill of Material

ITEM	DESCRIPTION	MATERIAL	AFL OR DWG. NO.	REQ'D	REMARKS
1	Socket Eye	Galvanized Steel	SE-BDE	2	
2	Y-Clevis Ball Hot Link	Galvanized Steel	YCBHL	2	Pin Dia. = 0.75" (19 mm)
3	3/4" Shoulder Eye Bolt	Galvanized Steel	SEB-3/4-14	2	
4	3/4" Washer Nut	Galvanized Steel	WN-3/4	2	
5	3/4" MF Lock Nut	Galvanized Steel	LN-3/4	2	
6	Bolted Deadend (Included)	Aluminum	Determined by AFL	2	



**AFL NO.**

**OSPDD2**

Assembly Code

**DNOXXXX**

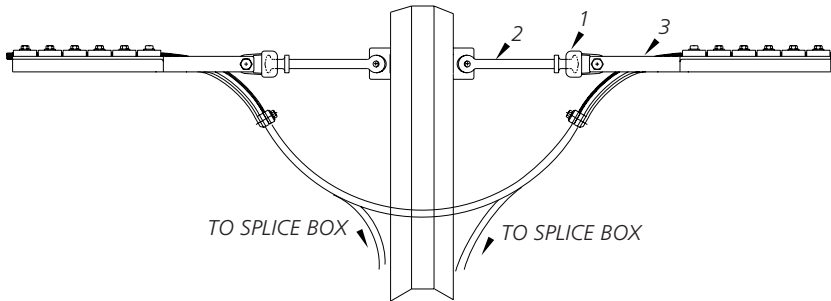
Cable Spec. Number

### Bill of Material

ITEM	DESCRIPTION	MATERIAL	AFL OR DWG. NO.	REQ'D	REMARKS
1	Link Plate	Aluminum	ODEL10	2	
2	Y-Clevis Clevis	Galvanized Steel	YCC	2	Pin Dia. = 0.75" (19 mm)
3	3/4" Shoulder Eye Bolt	Galvanized Steel	SEB-3/4-14	2	
4	3/4" Washer Nut	Galvanized Steel	WN-3/4	2	
5	3/4" MF Lock Nut	Galvanized Steel	LN-3/4	2	
6	Bolted Deadend (Included)	Aluminum	Determined by AFL	2	

Accessories enlarged for clarity

## OPGW Double Dead End Steel Pole/Vang Configuration Assemblies



**AFL NO.**

**OSPDD3**

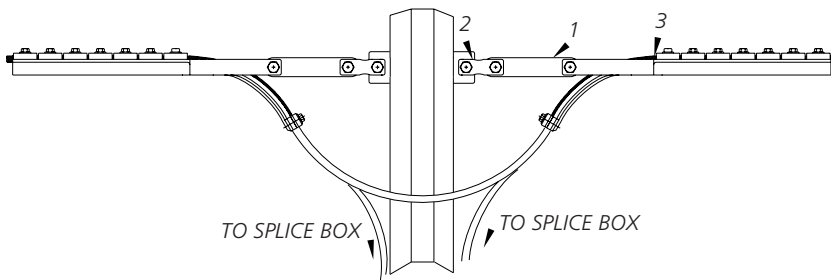
Assembly Code

**DNOXXXX**

Cable Spec. Number

### Bill of Material

ITEM	DESCRIPTION	MATERIAL	AFL OR DWG. NO.	REQ'D	REMARKS
1	Socket Eye	Galvanized Steel	SE-BDE	2	
2	Y-Clevis Ball Hot Link	Galvanized Steel	YCBHL	2	Pin Dia. = 0.75" (19 mm)
3	Bolted Deadend (Included)	Aluminum	Determined by AFL	2	



**AFL NO.**

**OSPDD4**

Assembly Code

**DNOXXXX**

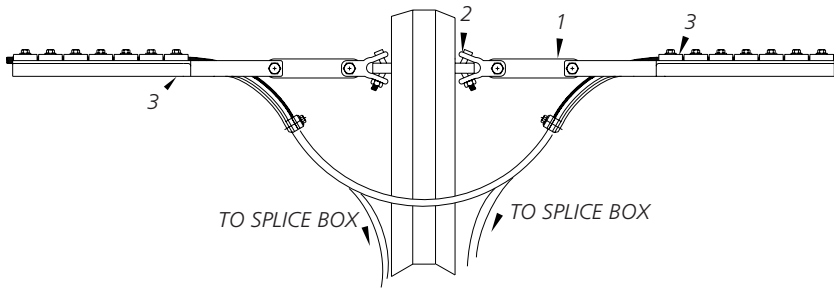
Cable Spec. Number

### Bill of Material

ITEM	DESCRIPTION	MATERIAL	AFL OR DWG. NO.	REQ'D	REMARKS
1	Link Plate	Aluminum	ODEL10	2	
2	Y-Clevis Clevis	Galvanized Steel	YCC	2	Pin Dia. = 0.75" (19 mm)
3	Bolted Deadend (Included)	Aluminum	Determined by AFL	2	

Accessories enlarged for clarity

## OPGW Double Dead End Steel Pole/Vang Configuration Assemblies (cont.)



**AFL NO.**

**OSPDD5**

Assembly Code

**DNOXXXX**

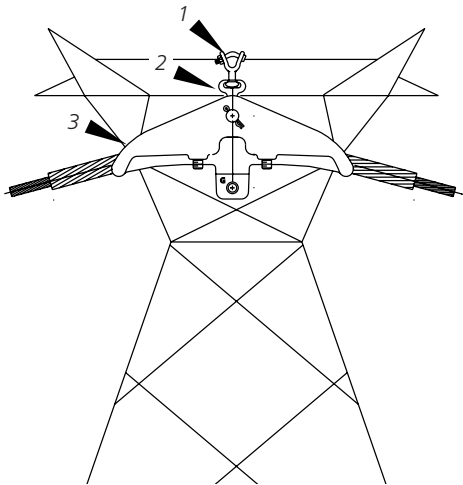
Cable Spec. Number

### Bill of Material

ITEM	DESCRIPTION	MATERIAL	AFL OR DWG. NO.	REQ'D	REMARKS
1	Link Plate	Aluminum	ODELP10	2	
2	Y-Clevis Clevis 90°	Galvanized Steel	YCC-90	2	Pin Dia. = 0.75" (19 mm)
3	Bolted Deadend (Included)	Aluminum	Determined by AFL	2	

Accessories enlarged for clarity

## OPGW Single Suspension Lattice Tower Configuration Assemblies

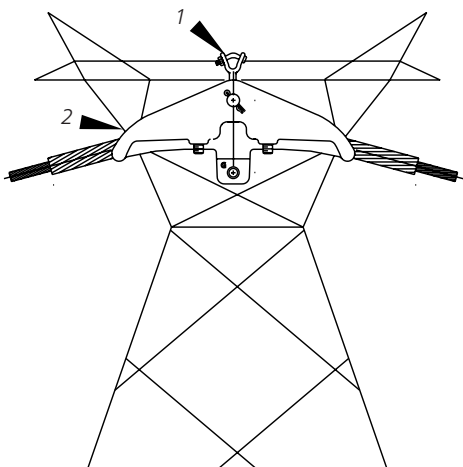


**AFL NO.**

**OLTSP1** - **XXX/XXX**  
 Assembly Code                      SUME Range Code

### Bill of Material

ITEM	DESCRIPTION	MATERIAL	AFL OR DWG. NO.	REQ'D	REMARKS
1	Y-Clevis Ball	Galvanized Steel	YCBS	1	Pin Dia. = 0.75" (19 mm)
2	Socket Eye	Galvanized Steel	SE-SC	1	
3	Suspension Clamp Assembly (Included)	Aluminum	SUME XXX/XXX	1	



**AFL NO.**

**OLTSP2** - **XXX/XXX**  
 Assembly Code                      SUME Range Code

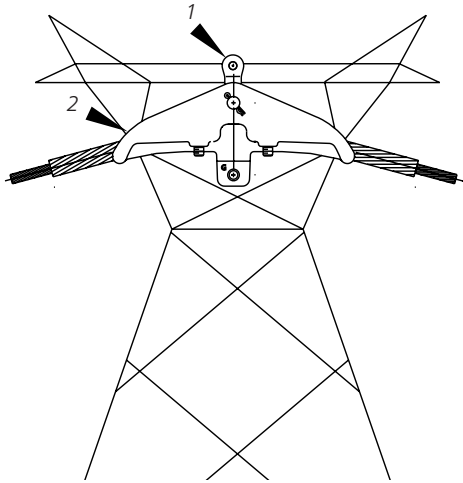
### Bill of Material

ITEM	DESCRIPTION	MATERIAL	AFL OR DWG. NO.	REQ'D	REMARKS
1	Y-Clevis Eye 90°	Galvanized Steel	YCE-90-SC	1	Pin Dia. = 0.75" (19 mm)
2	Suspension Clamp Assembly (Included)	Aluminum	SUME XXX/XXX	1	

Accessories enlarged for clarity



## OPGW Single Suspension Lattice Tower Configuration Assemblies (cont.)



**AFL NO.**

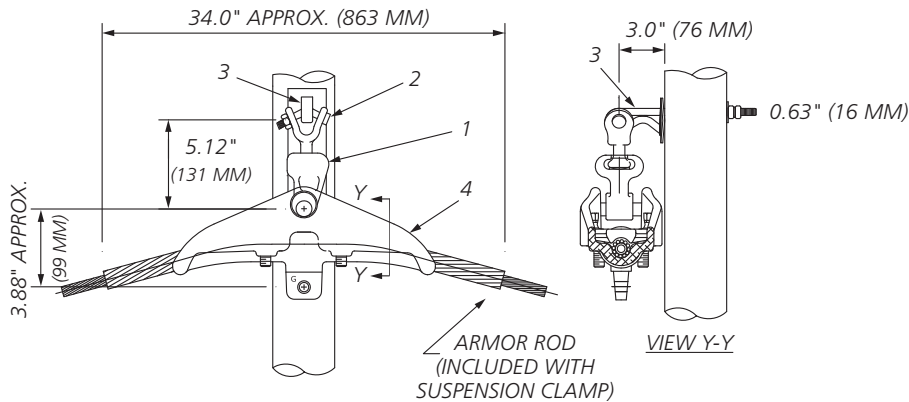
**OLTSP3** - **XXX/XXX**  
 Assembly Code                      SUME Range Code

### Bill of Material

ITEM	DESCRIPTION	MATERIAL	AFL OR DWG. NO.	REQ'D	REMARKS
1	Y-Clevis Eye	Galvanized Steel	YC90E-750-1750	1	Pin Dia. = 0.75" (19 mm)
2	Suspension Clamp Assembly (Included)	Aluminum	SUME XXX/XXX	1	

Accessories enlarged for clarity

## OPGW Single Suspension Wood Pole/H-Frame Configuration Assemblies

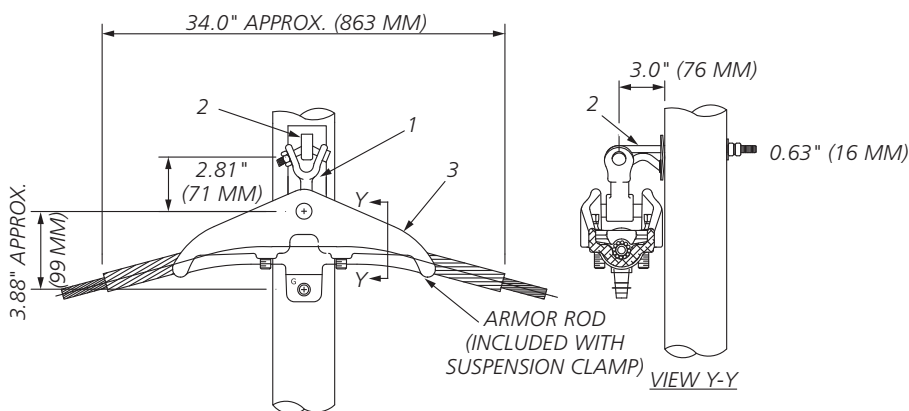


**AFL NO.**

**OWPSP1** - **XXX/XXX**  
 Assembly Code                      SUME Range Code

### Bill of Material

ITEM	DESCRIPTION	MATERIAL	AFL OR DWG. NO.	REQ'D	REMARKS
1	Socket Eye	Galvanized Steel	SE-SC	1	
2	Y-Clevis Ball	Galvanized Steel	YCBS	1	Pin Dia. = 0.75" (19mm)
3	Shield Wire Support Bracket	Galvanized Steel	SFOSB-WP-14	1	14" Bolt, 0.63" (16 mm) Dia.
4	Suspension Clamp Assembly (included)	Aluminum	SUME XXX/XXX	1	



**AFL NO.**

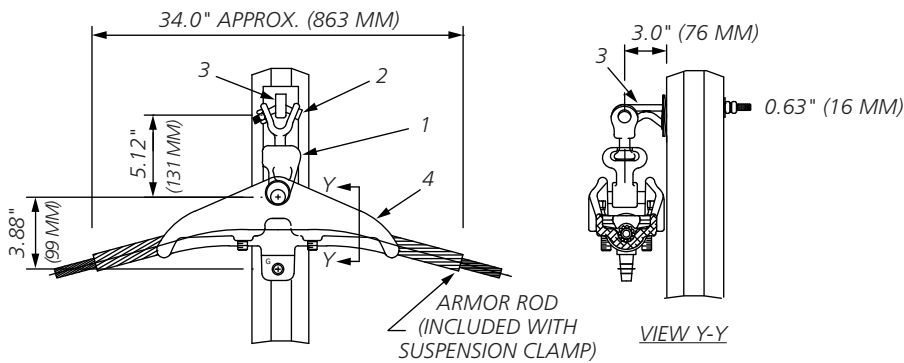
**OWPSP2** - **XXX/XXX**  
 Assembly Code                      SUME Range Code

### Bill of Material

ITEM	DESCRIPTION	MATERIAL	AFL OR DWG. NO.	REQ'D	REMARKS
1	Y-Clevis Eye 90°	Galvanized Steel	YC90E-750-1750	1	Pin Dia. = 0.75" (19 mm)
2	Shield Wire Support Bracket	Galvanized Steel	SFOSB-WP-14	1	14" Bolt, 0.63" (16 mm) Dia.
3	Susp. Damp Assembly (included)	Aluminum	SUME XXX/XXX	1	

Accessories enlarged for clarity

## OPGW Single Suspension Steel Pole/Drilled Configuration Assembly



**AFL NO.**

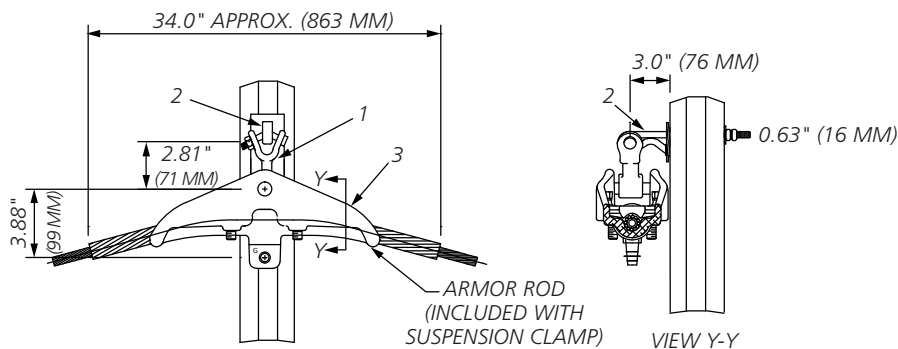
**OSPSP1** - **XXX/XXX**

Assembly Code

SUME Range Code

### Bill of Material

ITEM	DESCRIPTION	MATERIAL	AFL OR DWG. NO.	REQ'D	REMARKS
1	Socket Eye	Galvanized Steel	SE-SC	1	
2	Y-Clevis Ball	Galvanized Steel	YCBS	1	Pin Dia. = 0.75" (19 mm)
3	Shield Wire Support Bracket	Galvanized Steel	SFOSB-WP-14	1	14" Bolt, 0.63" (16 mm) Dia.
4	Suspension Clamp Assembly (Included)	Aluminum	SUME XXX/XXX	1	



**AFL NO.**

**OSPSP2** - **XXX/XXX**

Assembly Code

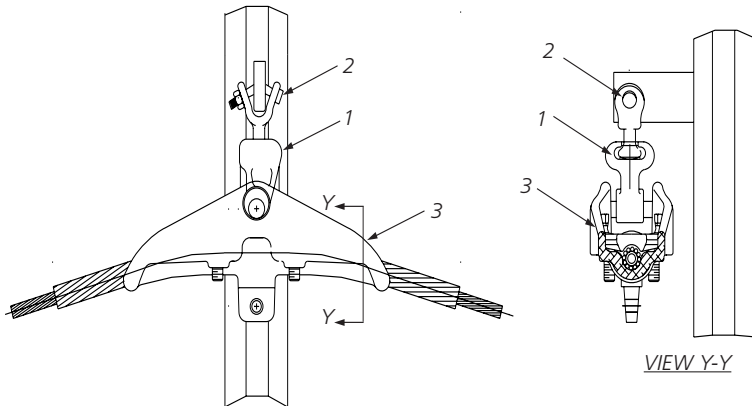
SUME Range Code

### Bill of Material

ITEM	DESCRIPTION	MATERIAL	AFL OR DWG. NO.	REQ'D	REMARKS
1	Y-Clevis Eye 90°	Galvanized Steel	YC90E-750-1750	1	Pin Dia. = 0.75" (19 mm)
2	Shield Wire Support Bracket	Galvanized Steel	SFOSB-WP-14	1	14" Bolt, 0.63" (16 mm) Dia.
3	Suspension Clamp Assembly (Included)	Aluminum	SUME XXX/XXX	1	

Accessories enlarged for clarity

## OPGW Single Suspension Steel Pole/Vang Configuration Assemblies

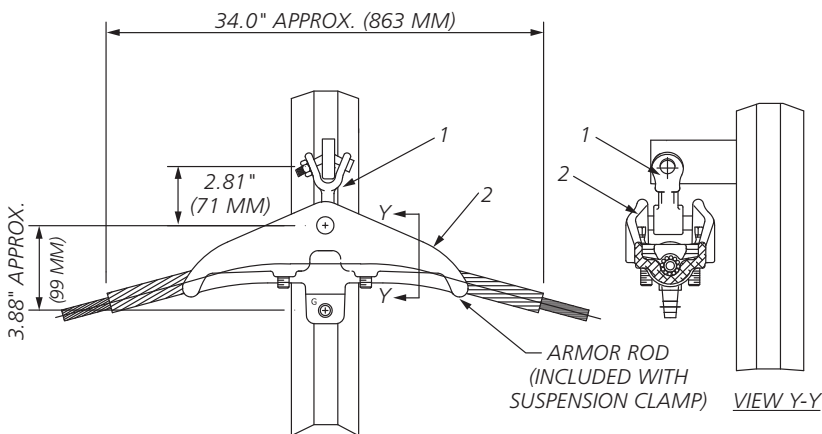


**AFL NO.**

**OSPSP3** - **XXX/XXX**  
 Assembly Code      SUME Range Code

### Bill of Material

ITEM	DESCRIPTION	MATERIAL	AFL OR DWG. NO.	REQ'D	REMARKS
1	Socket Eye	Galvanized Steel	SE-SC	1	
2	Y-Clevis Ball	Galvanized Steel	YCBS	1	Pin Dia. = 0.75" (19 mm)
3	Suspension Clamp Assembly (Included)	Aluminum	SUME XXX/XXX	1	



**AFL NO.**

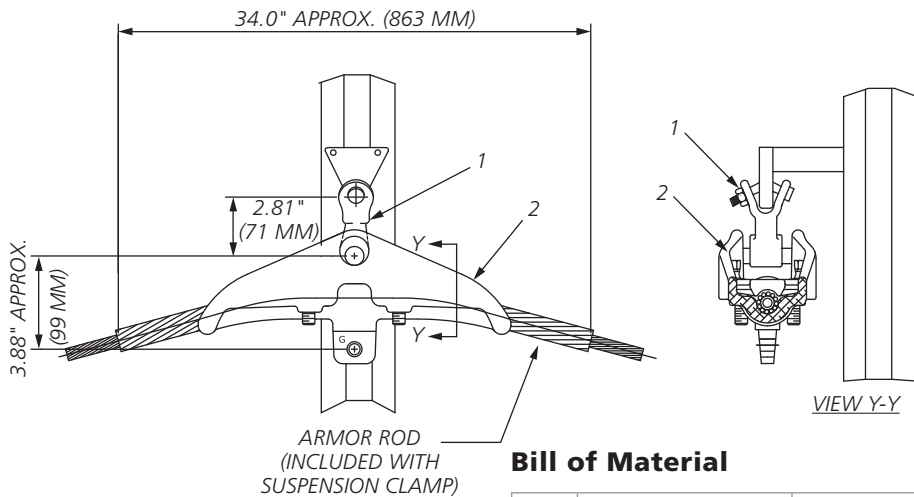
**OSPSP4** - **XXX/XXX**  
 Assembly Code      SUME Range Code

### Bill of Material

ITEM	DESCRIPTION	MATERIAL	AFL OR DWG. NO.	REQ'D	REMARKS
1	Y-Clevis Eye 90°	Galvanized Steel	YC90E-750-1750	1	Pin Dia. = 0.75" (19 mm)
2	Suspension Clamp Assembly (Included)	Aluminum	SUME XXX/XXX	1	

Accessories enlarged for clarity

## OPGW Single Suspension Steel Pole/Vang Configuration Assemblies (cont.)

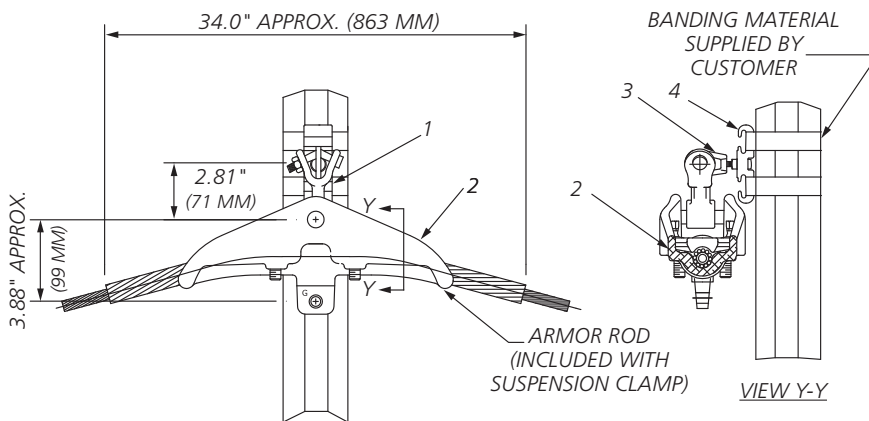


**AFL NO.**

**OSPSP5** - **XXX/XXX**  
 Assembly Code      SUME Range Code

### Bill of Material

ITEM	DESCRIPTION	MATERIAL	AFL OR DWG. NO.	REQ'D	REMARKS
1	Y-Clevis Eye	Galvanized Steel	YCS-11	1	Pin Dia. = 0.75" (19 mm)
2	Suspension Clamp Assembly (Included)	Aluminum	SUME XXX/XXX	1	



**AFL NO.**

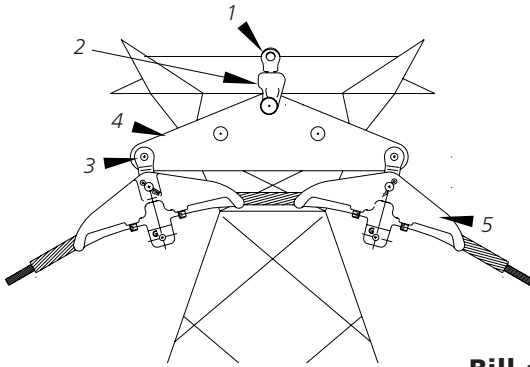
**OSPSP6** - **XXX/XXX**  
 Assembly Code      SUME Range Code

### Bill of Material

ITEM	DESCRIPTION	MATERIAL	AFL OR DWG. NO.	REQ'D	REMARKS
1	Y-Clevis Eye 90°	Galvanized Steel	YC90E-750-1750	1	Pin Dia. = 0.75" (19mm)
2	Suspension Clamp Assembly (Included)	Aluminum	SUME XXX/XXX	1	
3	Eye Bolt	Galvanized Steel			
4	Banding Adaptor	Aluminum			

Accessories enlarged for clarity

## OPGW Double Suspension Lattice Tower Configuration Assemblies

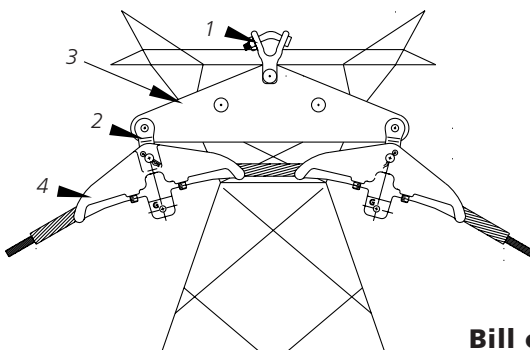


**AFL NO.**

**OLTSS1** - **XXX/XXX**  
 Assembly Code                      SUME Range Code

### Bill of Material

ITEM	DESCRIPTION	MATERIAL	AFL OR DWG. NO.	REQ'D	REMARKS
1	Y-Clevis Ball	Galvanized Steel	YCBS	1	Pin Dia. = 0.75" (19 mm)
2	Socket Clevis	Galvanized Steel	SC-YP	1	
3	Clevis Eye	Galvanized Steel	CE-SC	2	
4	Yoke Plate	Galvanized Steel	SUMEYP	1	
5	Double Suspension (included)	Aluminum	ODSME XXX/XXX	1	



**AFL NO.**

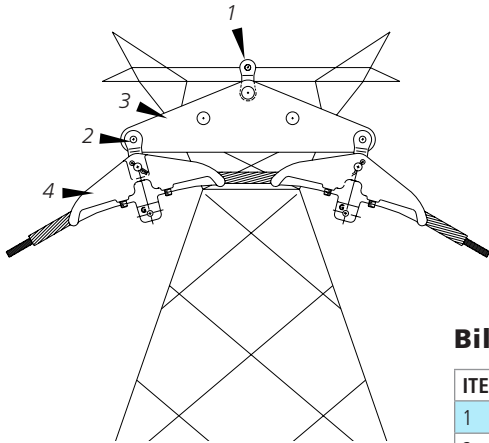
**OLTSS2** - **XXX/XXX**  
 Assembly Code                      SUME Range Code

### Bill of Material

ITEM	DESCRIPTION	MATERIAL	AFL OR DWG. NO.	REQ'D	REMARKS
1	Y-Clevis Clevis 90°	Galvanized Steel	YCC-90	1	Pin Dia. = 0.75" (19 mm)
2	Clevis Eye	Alum./Gal. Steel	CE-SC	2	
3	Yoke Plate	Alum./Gal. Steel	SUMEYP	1	
4	Double Suspension (included)	Alum./Gal. Steel	ODSME XXX/XXX	1	

Accessories enlarged for clarity

## OPGW Double Suspension Lattice Tower Configuration Assemblies (cont.)



**AFL NO.**

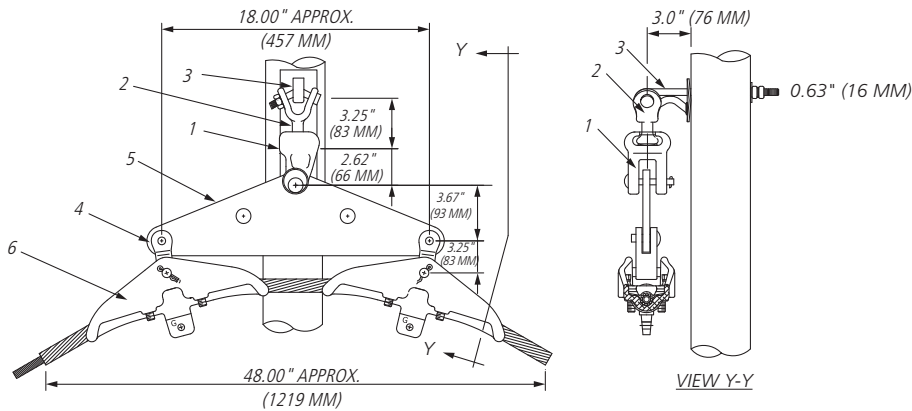
**OLTSS3** - **XXX/XXX**  
 Assembly Code                      SUME Range Code

### Bill of Material

ITEM	DESCRIPTION	MATERIAL	AFL OR DWG. NO.	REQ'D	REMARKS
1	Y-Clevis Clevis	Galvanized Steel	YCC	1	Pin Dia. = 0.75" (19 mm)
2	Clevis Eye	Galvanized Steel	CE-SC	2	
3	Yoke Plate	Galvanized Steel	SUMEYP	1	
4	Double Suspension (included)	Aluminum	ODSME XXX/XXX	1	

Accessories enlarged for clarity

## OPGW Double Suspension Wood Pole/H-Frame Configuration Assemblies



**AFL NO.**

**OWPSS1**

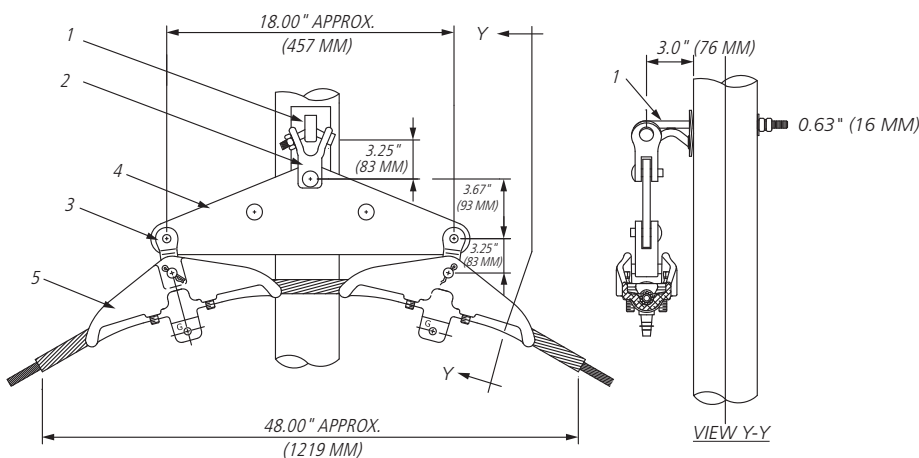
Assembly Code

**XXX/XXX**

SUME Range Code

### Bill of Material

ITEM	DESCRIPTION	MATERIAL	AFL OR DWG. NO.	REQ'D	REMARKS
1	Socket Clevis	Galvanized Steel	SC-YP	1	
2	Y-Clevis Ball	Galvanized Steel	YCBS	1	Pin Dia. = 0.75" (19 mm)
3	Shield Wire Support Bracket	Galvanized Steel	SFOSB-WP-14	1	14" Bolt, 0.63" (16 mm) Dia.
4	Clevis Eye	Galvanized Steel	CE-SC	2	
5	Yoke Plate	Galvanized Steel	SUMEYP	1	
6	Double Suspension (incl.)	Aluminum	ODSME XXX/XXX	1	



**AFL NO.**

**OWPSS2**

Assembly Code

**XXX/XXX**

SUME Range Code

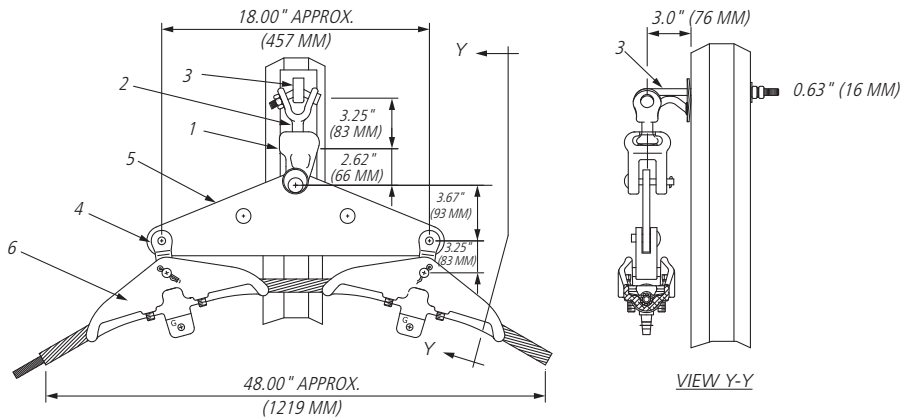
### Bill of Material

ITEM	DESCRIPTION	MATERIAL	AFL OR DWG. NO.	REQ'D	REMARKS
1	Shield Wire Support Bracket	Galvanized Steel	SFOSB-WP-14	1	14" Bolt, 0.63" (16 mm) Dia.
2	Y-Clevis Clevis 90°	Galvanized Steel	YCC-90	1	Pin Dia. = 0.75" (19 mm)
3	Clevis Eye	Galvanized Steel	CE-SC	2	
4	Yoke Plate	Galvanized Steel	SUMEYP	1	
5	Double Suspension (Included)	Aluminum	ODSME XXX/XXX	1	

Accessories enlarged for clarity



## OPGW Double Suspension Steel Pole/Drilled Configuration Assembly

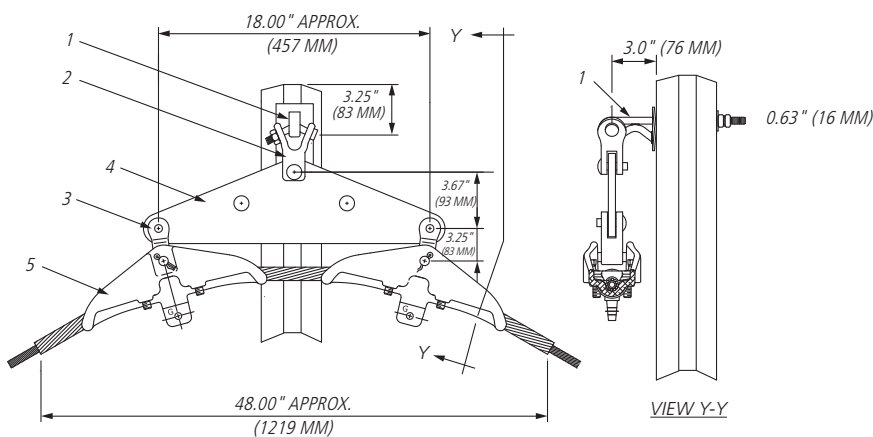


**AFL NO.**

**OSPSS1** - **XXX/XXX**  
 Assembly Code      SUME Range Code

### Bill of Material

ITEM	DESCRIPTION	MATERIAL	AFL OR DWG. NO.	REQ'D	REMARKS
1	Socket Clevis	Galvanized Steel	SC-YP	1	
2	Y-Clevis Ball	Galvanized Steel	YCBS	1	Pin Dia. = 0.75" (19 mm)
3	Shield Wire Support Bracket	Galvanized Steel	SFOSB-WP-14	1	14" Bolt, 0.63" (16 mm) Dia.
4	Clevis Eye	Galvanized Steel	CE-SC	2	
5	Yoke Plate	Galvanized Steel	SUMEYP	1	
6	Double Suspension (incl.)	Aluminum	ODSME XXX/XXX	1	



**AFL NO.**

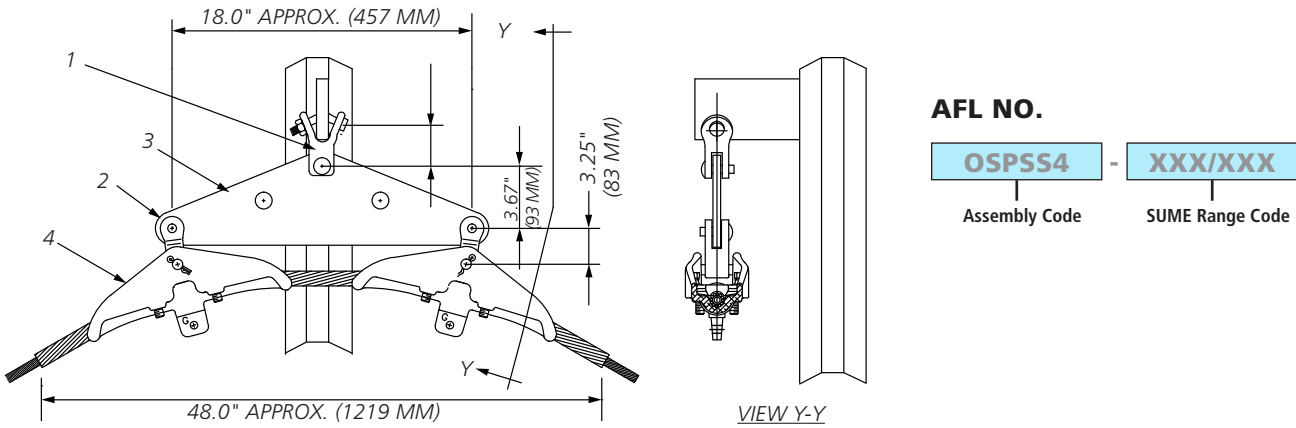
**OSPSS2** - **XXX/XXX**  
 Assembly Code      SUME Range Code

### Bill of Material

ITEM	DESCRIPTION	MATERIAL	AFL OR DWG. NO.	REQ'D	REMARKS
1	Shield Wire Support Bracket	Galvanized Steel	SFOSB-WP-14	1	14" Bolt, 0.63" (16 mm) Dia.
2	Y-Clevis Clevis 90°	Galvanized Steel	YCC-90	1	Pin Dia. = 0.75" (19 mm)
3	Clevis Eye	Galvanized Steel	CE-SC	2	
4	Yoke Plate	Galvanized Steel	SUMEYP	1	
5	Double Suspension (incl.)	Aluminum	ODSME XXX/XXX	1	

Accessories enlarged for clarity

## OPGW Double Suspension Steel Pole/Vang Configuration Assembly

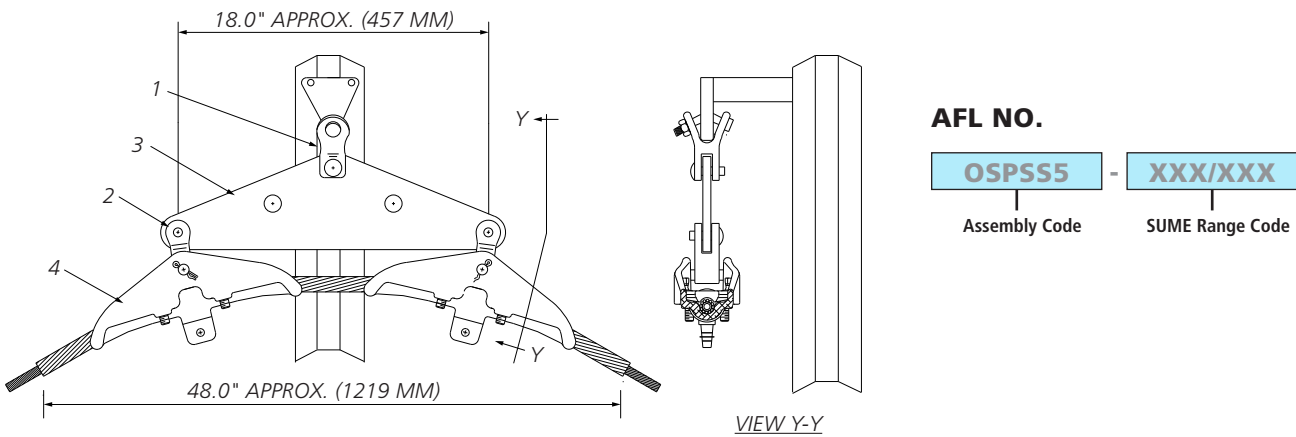


**AFL NO.**

**OSPSS4** - **XXX/XXX**  
 Assembly Code      SUME Range Code

### Bill of Material

ITEM	DESCRIPTION	MATERIAL	AFL OR DWG. NO.	REQ'D	REMARKS
1	Y-Clevis Clevis 90°	Galvanized Steel	YCC-90	1	Pin Dia. = 0.75" (19 mm)
2	Clevis Eye	Galvanized Steel	CE-SC	2	
3	Yoke Plate	Galvanized Steel	SUMEYP	1	
4	Double Suspension (included)	Aluminum	ODSME XXX/XXX	1	



**AFL NO.**

**OSPSS5** - **XXX/XXX**  
 Assembly Code      SUME Range Code

### Bill of Material

ITEM	DESCRIPTION	MATERIAL	AFL OR DWG. NO.	REQ'D	REMARKS
1	Y-Clevis Clevis	Galvanized Steel	YCC	1	Pin Dia. = 0.75" (19 mm)
2	Clevis Eye	Galvanized Steel	CE-SC	2	
3	Yoke Plate	Galvanized Steel	SUMEYP	1	
4	Double Suspension (Included)	Aluminum	ODSME XXX/XXX	1	

Accessories enlarged for clarity