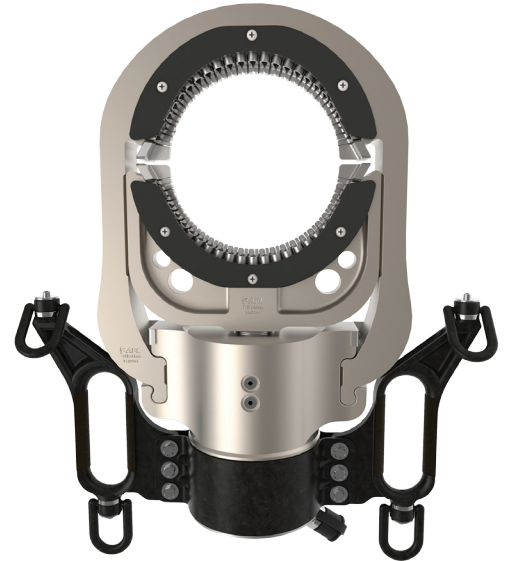
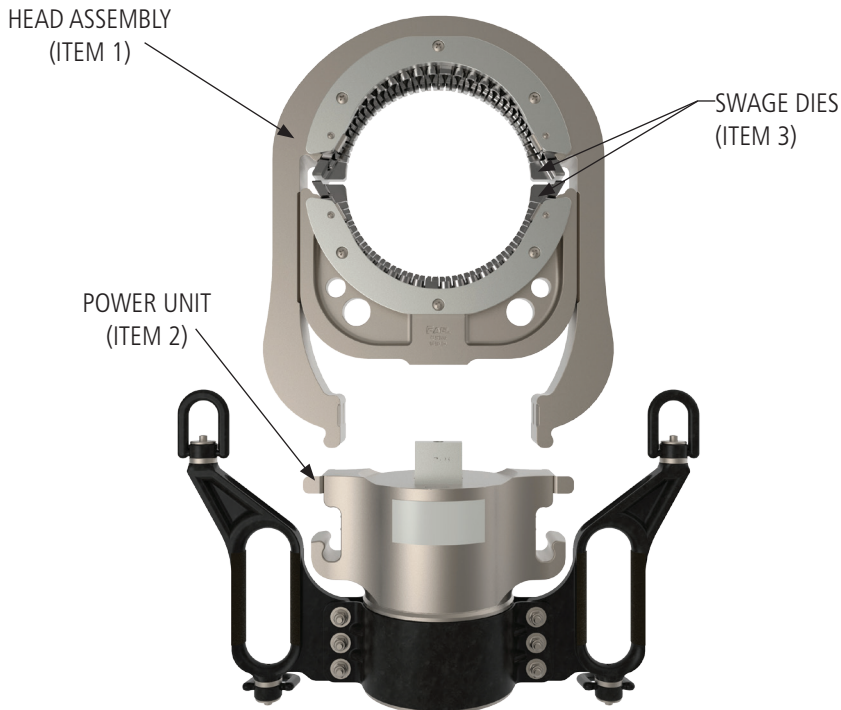


115TPUHAD Swage 115 Ton Press Assembly

A Swage 115 Ton Press Assembly is a portable construction and maintenance tool designed to Swage 6-inch bus accessories onto a bus. The power unit works with the 6-inch Head Assembly. The Catalog Number below provides everything needed for 6-inch pipe.



Ordering Information

| AFL NO. | S.P.S. | ITEM 1 | ITEM 2 | ITEM 3 | ITEM 4 |
|--------------|--------|------------|------------|----------|------------------|
| | | PRESS HEAD | POWER UNIT | DIE | INSPECTION GAUGE |
| 115TPUHAD600 | 6 | 115THA600 | 115TPU | 115TD600 | SWGGB600 |