

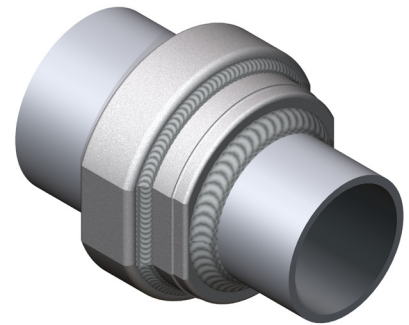
## DOSSERT® TYPE 15100

### Reducer Connector For Pipe

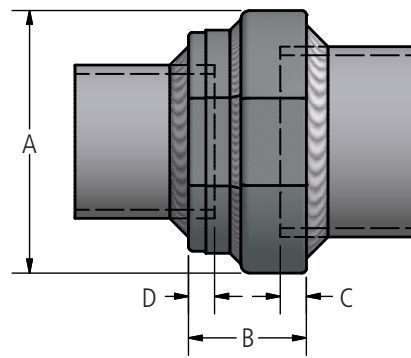
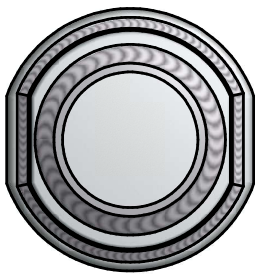
Reducer connector is designed to connect unequal pipe sizes with minimum amount of trouble. Connector is welded on outside of pipe allowing use on both schedule 40 and schedule 80 pipe.

#### Material

Aluminum Alloy



230 kV Aluminum Welded Couplers



### Ordering Information

CATALOG NUMBER	CONDUCTOR SIZE SCH40 & SCH80		DIMENSIONS IN INCHES				NOMINAL WEIGHT LBS
	RUN	BRANCH	A	B	C	D	
15103-2	1	3/4	1.88	0.84	0.15	0.19	0.20
15104-2	1 1/4	3/4	2.19	1.00	0.25	0.19	0.25
15104-3	1 1/4	1	2.19	1.09	0.25	0.19	0.29
15105-2	1 1/2	3/4	2.44	1.00	0.38	0.19	0.27
15105-3	1 1/2	1	2.44	1.09	0.38	0.19	0.33
15105-4	1 1/2	1 1/4	2.44	1.25	0.38	0.25	0.37
15106-2	2	3/4	2.94	1.12	0.44	0.19	0.39
15106-3	2	1	2.94	1.22	0.44	0.19	0.45
15106-4	2	1 1/4	2.94	1.38	0.44	0.25	0.49
15106-5	2	1 1/2	2.94	1.38	0.44	0.38	0.57
15107-2	2 1/2	3/4	3.50	1.19	0.44	0.19	0.52
15107-3	2 1/2	1	3.50	1.28	0.44	0.19	0.58
15107-4	2 1/2	1 1/4	3.50	1.44	0.44	0.25	0.62
15107-5	2 1/2	1 1/2	3.50	1.44	0.44	0.38	0.70
15107-6	2 1/2	2	3.50	1.56	0.44	0.44	0.82
15108-2	3	3/4	4.12	1.31	0.44	0.19	0.83
15108-3	3	1	4.12	1.41	0.44	0.19	0.89
15108-4	3	1 1/4	4.12	1.56	0.44	0.25	0.93
15108-5	3	1 1/2	4.12	1.56	0.44	0.38	1.00
15108-6	3	2	4.12	1.69	0.44	0.44	1.10
15108-7	3	2 1/2	4.12	1.75	0.44	0.44	1.30
15109-2	3.5	3/4	4.69	1.31	0.44	0.19	1.1
15109-3	3.5	1	4.69	1.41	0.44	0.19	1.1
15109-4	3.5	1 1/4	4.69	1.56	0.44	0.25	1.2
15109-5	3.5	1 1/2	4.69	1.56	0.44	0.38	1.3
15109-6	3.5	2	4.69	1.69	0.44	0.44	1.4
15109-7	3.5	2 1/2	4.69	1.75	0.44	0.44	1.5
15109-8	3.5	3	4.69	1.88	0.44	0.44	1.9



# 230 kV Aluminum Welded Couplers

**DOSSERT®**

**TYPE 15100**

Reducer Connector For Pipe

## Ordering Information

CATALOG NUMBER	CONDUCTOR SIZE SCH40 & SCH80		DIMENSIONS IN INCHES				NOMINAL WEIGHT LBS.
	RUN	BRANCH					
15110-2	4	3/4	5.19	1.38	0.5	0.19	1.3
15110-3	4	1	5.19	1.47	0.5	0.19	1.3
15110-4	4	1 1/4	5.19	1.62	0.5	0.25	1.4
15110-5	4	1 1/2	5.19	1.62	0.5	0.44	1.5
15110-6	4	2	5.19	1.75	0.5	0.44	1.6
15110-7	4	2 1/2	5.19	1.81	0.5	0.44	1.7
15110-8	4	3	5.19	1.94	0.5	0.44	2.1
15110-9	4	3 1/2	5.19	1.94	0.5	0.44	2.3
15112-2	5	3/4	6.25	1.38	0.5	0.19	1.8
15112-3	5	1	6.25	1.47	0.5	0.19	1.8
15112-4	5	1 1/4	6.25	1.62	0.5	0.25	1.9
15112-5	5	1 1/2	6.25	1.62	0.5	0.38	2
15112-6	5	2	6.25	1.75	0.5	0.44	2.1
15112-7	5	2 1/2	6.25	1.81	0.5	0.44	2.2
15112-8	5	3	6.25	1.94	0.5	0.44	2.6
15112-9	5	3 1/2	6.25	1.94	0.5	0.44	2.8
15112-10	5	4	6.25	2	0.5	0.5	3.1
15113-2	6	7/9	7.38	1.38	0.5	0.19	2.4
15113-3	6	1	7.38	1.47	0.5	0.19	2.4
15113-4	6	1 1/4	7.38	1.62	0.5	0.25	2.5
15113-5	6	1 1/2	7.38	1.62	0.5	0.38	2.6
15113-6	6	2	7.38	1.75	0.5	0.44	2.7
15113-7	6	2 1/2	7.38	1.81	0.5	0.44	2.8
15113-8	6	3	7.38	1.94	0.5	0.44	3.2
15113-9	6	3 1/2	7.38	1.94	0.5	0.44	3.4
15113-10	6	4	7.38	2	0.5	0.5	3.7
15113-12	6	5	7.38	2	0.5	0.5	4.3

230 kV Aluminum Welded Couplers