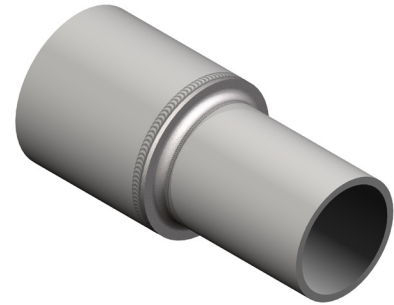


### DOSSERT<sup>®</sup> TYPE WWCR-AA, WWCR-E-AA

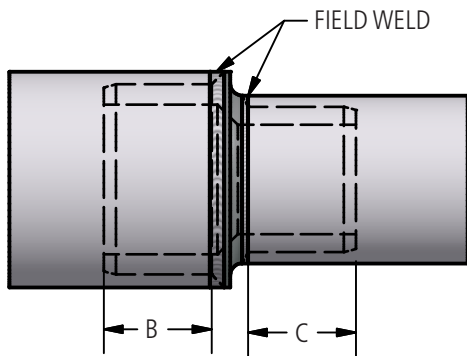
#### Reducing Coupler

A reducing coupler for joining aluminum pipe of different diameters. Provides maximum structural reinforcement at the joint as well as a neat and corona free installation. Pipe is easily aligned and held during welding.



#### Material

Aluminum-Silicon Alloy



#### Ordering Information

CATALOG NUMBER		SPS		DIMENSIONS IN INCHES	
SCHEDULE 40	SCHEDULE 80	RUN	TAP	B	C
WWCR125-100-AA	WWCR125E-100-AA	1-1/4	1	1	3/4
WWCR150-100-AA	WWCR150E-100-AA	1-1/2	1	1	3/4
WWCR150-125-AA	WWCR150E-125-AA	1-1/2	1-1/4	1	1
WWCR200-100-AA	WWCR200E-100-AA	2	1	1-1/4	3/4
WWCR200-125-AA	WWCR200E-125-AA	2	1-1/4	1-1/4	1
WWCR200-150-AA	WWCR200E-150-AA	2	1-1/2	1-1/4	1
WWCR250-125-AA	WWCR250E-125-AA	2-1/2	1-1/4	1-1/2	1
WWCR250-150-AA	WWCR250E-150-AA	2-1/2	1-1/2	1-1/2	1
WWCR250-200-AA	WWCR250E-200-AA	2-1/2	2	1-1/2	1-1/4
WWCR300-100-AA	WWCR300E-100-AA	3	1	1-3/4	3/4
WWCR300-150-AA	WWCR300E-150-AA	3	1-1/2	1-3/4	1
WWCR300-200-AA	WWCR300E-200-AA	3	2	1-3/4	1-1/4
WWCR300-250-AA	WWCR300E-250-AA	3	2-1/2	1-3/4	1-1/2
WWCR350-200-AA	WWCR350E-200-AA	3-1/2	2	1-3/4	1-1/4
WWCR400-200-AA	WWCR400E-200-AA	4	2	2-1/4	1-1/4
WWCR400-250-AA	WWCR400E-250-AA	4	2-1/2	2-1/4	1-1/2
WWCR400-300-AA	WWCR400E-300-AA	4	3	2-1/4	1-3/4
WWCR450-400-AA	WWCR450E-400-AA	4-1/2	4	2-1/2	2-1/4
WWCR500-250-AA	WWCR500E-250-AA	5	2-1/2	2-3/4	1-1/2
WWCR500-300-AA	WWCR500E-300-AA	5	3	2-3/4	1-3/4
WWCR500-400-AA	WWCR500E-400-AA	5	4	2-3/4	2-1/4
WWCR500-350-AA	WWCR500E-350-AA	5	3-1/2	2-3/4	2
WWCR600-300-AA	WWCR600E-300-AA	6	3	3	1-3/4
WWCR600-400-AA	WWCR600E-400-AA	6	4	3	2-1/4
WWCR600-500-AA	WWCR600E-500-AA	6	5	3	2-3/4
WWCR800-400-AA	WWCR800E-400-AA	8	4	4	2-1/4
WWCR800-500-AA	WWCR800E-500-AA	8	5	4	2-3/4
WWCR800-600-AA	WWCR800E-600-AA	8	6	4	3-1/4