

DOSSERT® TYPE XWWC-AA, XWWC-E-AA

Bus Expansion Coupler

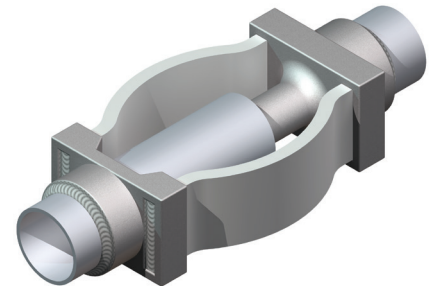
Expansion coupler for aluminum pipe connections. Provided with alignment guide for field welds.

Material

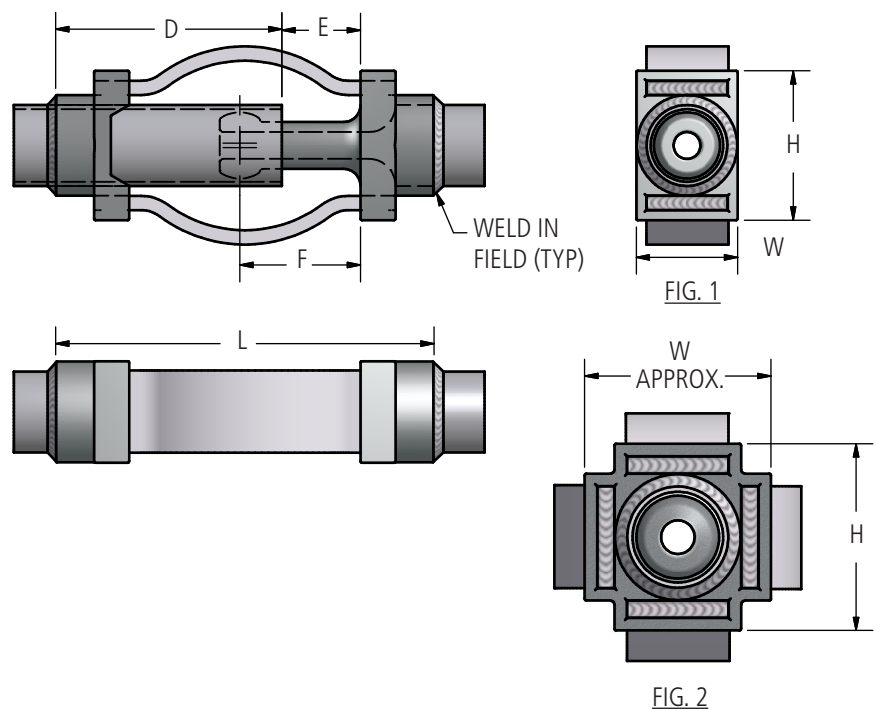
Aluminum Alloy

Notes

1. If alignment guide is not required, add "P" to the catalog number prefix. EX: XWWCP100-AA.
2. For Dimension "E", refer to pages 11-12 in the General Information section.



230 kV Aluminum Welded Couplers



Ordering Information

CATALOG NUMBER		SPS	FIG. NO.	DIMENSIONS IN INCHES				
SCH 40	SCH 80			D	F	H	L	W
XWWC100-AA	XWWC100E-AA	1	1	5 3/4	3 1/4	3	8 9/16	1 3/4
XWWC125-AA	XWWC125E-AA	1 1/4	1	6 3/4	3 1/4	3 1/4	9 1/2	2
XWWC150-AA	XWWC150E-AA	1 1/2	1	7 1/4	3 1/2	3 1/2	10 5/16	2 1/4
XWWC200-AA	XWWC200E-AA	2	1	7 7/16	4 3/4	3 3/4	11 3/4	3 13/16
XWWC250-AA	XWWC250E-AA	2 1/2	1	8 7/16	4 3/4	5 5/16	12 13/16	3 13/16
XWWC300-AA	XWWC300E-AA	3	1	9 5/16	4 3/4	6 3/16	13 3/4	3 13/16
XWWC350-AA	XWWC350E-AA	3 1/2	1	10	4 3/4	6 13/16	14 7/8	3 13/16
XWWC400-AA	XWWC400E-AA	4	2	10 7/16	4 3/4	7 1/8	15 13/16	7 1/8
XWWC500-AA	XWWC500E-AA	5	2	11 1/8	6 5/8	8 3/4	17 1/8	8 3/4
XWWC600-AA	XWWC600E-AA	6	2	11 1/8	6 5/8	9 9/16	18	9 9/16