

DOSSERT[®] TYPE DA-AA

Connectors For Bus Bar Alignment And Coupling

Ruggedly constructed, this connector permits the coupling or aligning of bus while securing high uniform contact pressure between surfaces.

Material

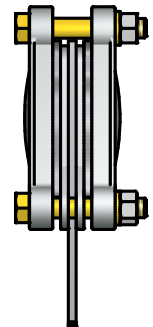
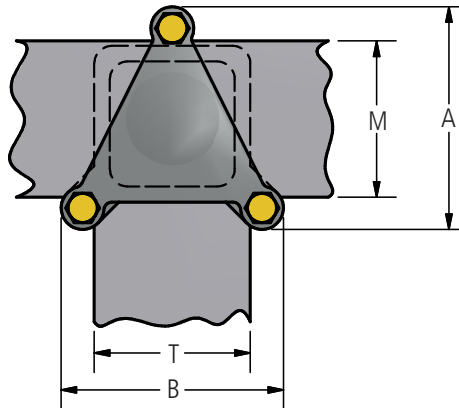
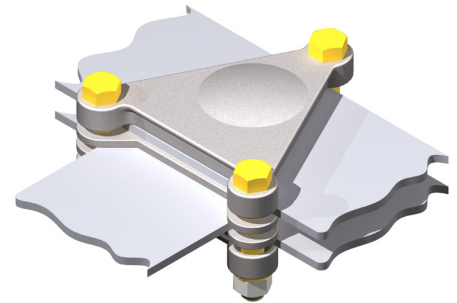
Aluminum Alloy

Hardware

Yellow anodized aluminum bolts, nuts and lockwashers.

Notes

Unless otherwise specified clamps are provided with bolts of sufficient length to clamp three 1/4" bars (3/4" total thickness). For proper length of bolts specify total number of 1/4" bars and spacers to be clamped or combined thickness or bar and spacer lay up to be clamped. For spacers see BS-AA page 277.



Ordering Information

CATALOG NUMBER	DIMENSIONS IN INCHES		FLAT BUS SIZE		BOLT SIZE
	A	B	M	T	
DA11-AA	2 5/16	2 5/16	1	1	3/8
DA21-AA	3 5/16	2 5/16	2	1	3/8
DA22-AA	3 5/16	3 5/16	2	2	3/8
DA31-AA	4 5/16	2 5/16	3	1	3/8
DA32-AA	4 5/16	3 5/16	3	2	3/8
DA33-AA	4 5/16	4 5/16	3	3	3/8
DA42-AA	5 5/16	3 5/16	4	2	3/8
DA43-AA	5 3/4	4 3/4	4	3	1/2
DA44-AA	5 3/4	5 3/4	4	4	1/2
DA52-AA	6 3/4	3 3/4	5	2	1/2
DA53-AA	6 3/4	4 3/4	5	3	1/2
DA54-AA	6 3/4	5 3/4	5	4	1/2
DA55-AA	7 1/8	7 1/8	5	5	5/8
DA62-AA	7 3/4	3 3/4	6	2	1/2
DA63-AA	7 3/4	4 3/4	6	3	1/2
DA64-AA	7 3/4	5 3/4	6	4	1/2
DA65-AA	8 1/8	7 1/8	6	5	5/8
DA66-AA	8 1/8	8 1/8	6	6	5/8