

### DOSSERT® TYPE DH-AA

#### Flat Bar H Clamp

A clamp for developing high contact pressures between flat aluminum bus bars. For aligning, coupling, crossing and tapping conductors.

#### Material

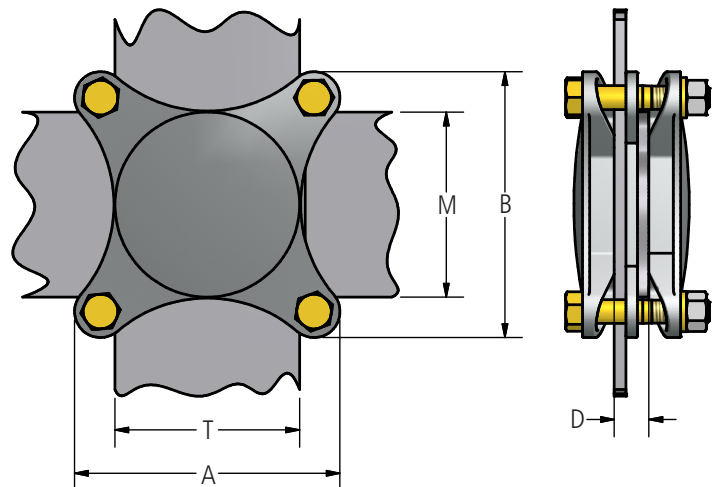
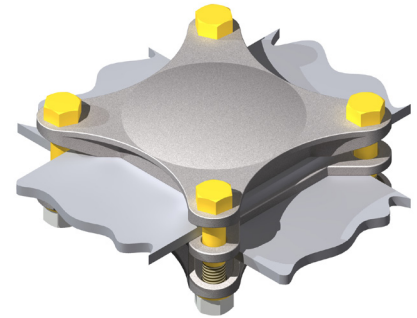
Aluminum Alloy

#### Hardware

Yellow anodized aluminum bolts, nuts and lockwashers.

#### Notes

Unless otherwise specified clamps are provided with bolts of sufficient length to clamp three 1/4" bars (3/4" total thickness). For proper length of bolts specify total number of 1/4" bars and spacers to be clamped or combined thickness or bar and spacer lay up to be clamped. For spacers see BS-AA page 277.



### Ordering Information

CATALOG NUMBER	DIMENSIONS IN INCHES			WIDTH OF BARS		BOLT SIZE
	A	B	D	M	T	
DH11-AA	2 3/4	2 3/4	3/4	1	1	1/2
DH21-AA	3 3/4	2 3/4	3/4	2	1	1/2
DH22-AA	3 5/16	3 5/16	3/4	2	2	3/8
DH31-AA	4 3/4	2 3/4	3/4	3	1	1/2
DH32-AA	3 5/16	4 5/16	3/4	3	2	3/8
DH33-AA	4 5/16	4 5/16	1 1/4	3	3	3/8
DH42-AA	3 5/16	5 5/16	1 1/4	4	2	3/8
DH43-AA	4 3/4	5 3/4	1 1/4	4	3	1/2
DH44-AA	5 3/4	5 3/4	1 1/4	4	4	1/2
DH52-AA	3 3/4	6 3/4	1 1/4	5	2	1/2
DH53-AA	4 3/4	6 3/4	1 1/4	5	3	1/2
DH54-AA	5 3/4	6 3/4	1 1/4	5	4	1/2
DH55-AA	7 1/8	7 1/8	1 1/4	5	5	5/8
DH62-AA	3 3/4	7 3/4	1 1/4	6	2	1/2
DH63-AA	4 3/4	7 3/4	1 1/4	6	3	1/2
DH64-AA	5 3/4	7 3/4	1 1/4	6	4	1/2
DH65-AA	7 1/8	8 1/8	1 1/4	6	5	5/8
DH66-AA	8 1/8	8 1/8	1 1/4	6	6	5/8