

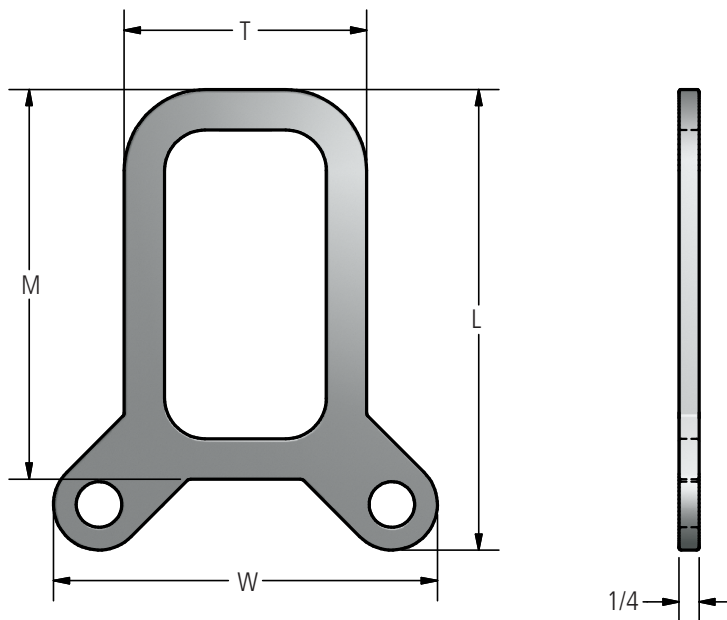
### DOSSERT® TYPE BS-AA

#### Aluminium Bar Spacer

An aluminum spacer for a standard bus bar spacing of 1/4 inch. Designed for use with both A and H clamps.

#### Material

Aluminum Alloy



### Ordering Information

CATALOG NUMBER	WIDTH OF BUSES		DIMENSIONS IN INCHES		
	M	T	L	W	BOLT SIZE
BS11-AA	1	1	1 5/8	2 5/16	3/8
BS21-AA	2	1	2 5/8	2 5/16	3/8
BS22-AA	2	2	2 5/8	3 5/16	3/8
BS31-AA	3	1	3 5/8	2 5/16	3/8
BS32-AA	3	2	3 5/8	3 5/16	3/8
BS33-AA	3	3	3 5/8	4 5/16	3/8
BS42-AA	4	2	4 5/8	3 5/16	3/8
BS43-AA	4	3	4 3/4	4 3/4	1/2
BS44-AA	4	4	4 3/4	5 3/4	1/2
BS52-AA	5	2	5 3/4	3 5/8	1/2
BS53-AA	5	3	5 3/4	4 3/4	1/2
BS54-AA	5	4	5 3/4	5 3/4	1/2
BS55-AA	5	5	5 7/8	7 1/8	5/8
BS62-AA	6	2	6 3/4	3 5/8	1/2
BS63-AA	6	3	6 3/4	4 3/4	1/2
BS64-AA	6	4	6 3/4	5 3/4	1/2
BS65-AA	6	5	6 7/8	7 1/8	5/8
BS66-AA	6	6	6 7/8	8 1/8	5/8

230 kV Aluminum Bolted Bar Clamps and Spacers