

DOSSERT®

TYPE SAH-AA, SHH-AA Horizontal Bus Support For Flat Bus Bars

A horizontal bus support for supporting one or more flat bus bars in a horizontal position. The following supports do not include spacers. The Double Group Type includes a single wide spacer only.

Material

Aluminum Alloy

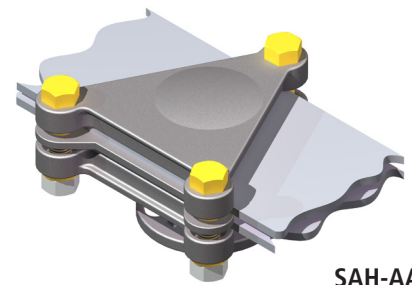
Hardware

Yellow anodized aluminum nuts, bolts, and lockwashers.
Galvanized steel base mounting hardware is included.

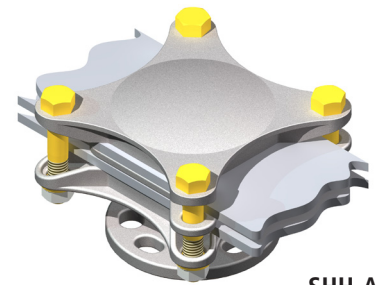
Note

For more than 2 bars supported; follow the bolt circle number with number of bars to be supported. For example for a 4 inch width bus and a 5 inch bolt circle with 4 bars to be supported order: SAH4-5-4-AA

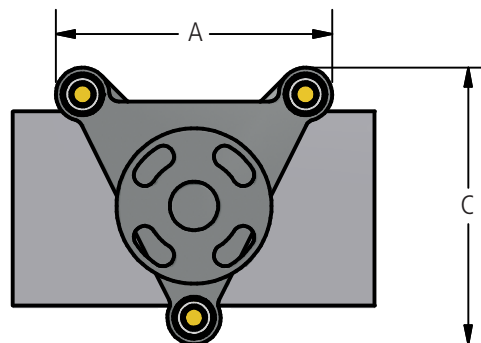
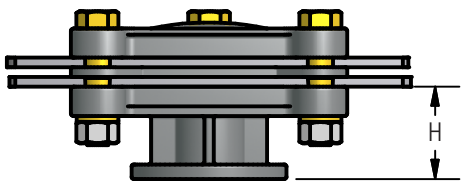
For bar spacing greater than 1/4" see page 11 for spacers.



SAH-AA



SHH-AA



Ordering Information

CATALOG NUMBER				WIDTH OF BUS	BOLT CIRCLE	DIMENSIONS IN INCHES		
SAH SERIES	DOUBLE SPACED	SHH SERIES	DOUBLE SPACED			A	C	H
SAH2-3-AA	SAHD2-3-AA	SHH2-3-AA	SHHD2-3-AA	2	3	3 5/16	3 5/16	2 1/8
SAH2-5-AA	SAHD2-5-AA	SHH2-5-AA	SHHD2-5-AA	2	5	3 5/16	3 5/16	2 3/8
SAH3-3-AA	SAHD3-3-AA	SHH3-3-AA	SHHD3-3-AA	3	3	3 5/16	4 5/16	2 1/8
SAH3-5-AA	SAHD3-5-AA	SHH3-5-AA	SHHD3-5-AA	3	5	3 5/16	4 5/16	2 3/8
SAH4-3-AA	SAHD4-8-AA	SHH4-3-AA	SHHD4-8-AA	4	3	4 3/4	5 3/4	2 1/4
SAH4-5-AA	SAHD4-5-AA	SHH4-5-AA	SHHD4-5-AA	4	5	4 3/4	5 3/4	2 1/2
SAH5-3-AA	SAHD5-3-AA	SHH5-3-AA	SHHD5-3-AA	5	3	5 3/4	6 3/4	2 3/8
SAH5-5-AA	SAHD5-5-AA	SHH5-5-AA	SHHD5-5-AA	5	5	5 3/4	6 3/4	2 5/8
SAH6-3-AA	SAHD6-3-AA	SHH6-3-AA	SHHD6-3-AA	6	3	7 1/8	8 1/8	2 3/8
SAH6-5-AA	SAHD6-5-AA	SHH6-5-AA	SHHD6-5-AA	6	5	7 1/8	8 1/8	2 5/8