

DOSSERT® TYPE SAV-AA, SHV-AA

Vertical Bus Support Clamps

A vertical support clamp for supporting one or more flat bus bars in a vertical or upright position.

Material

Aluminum Alloy

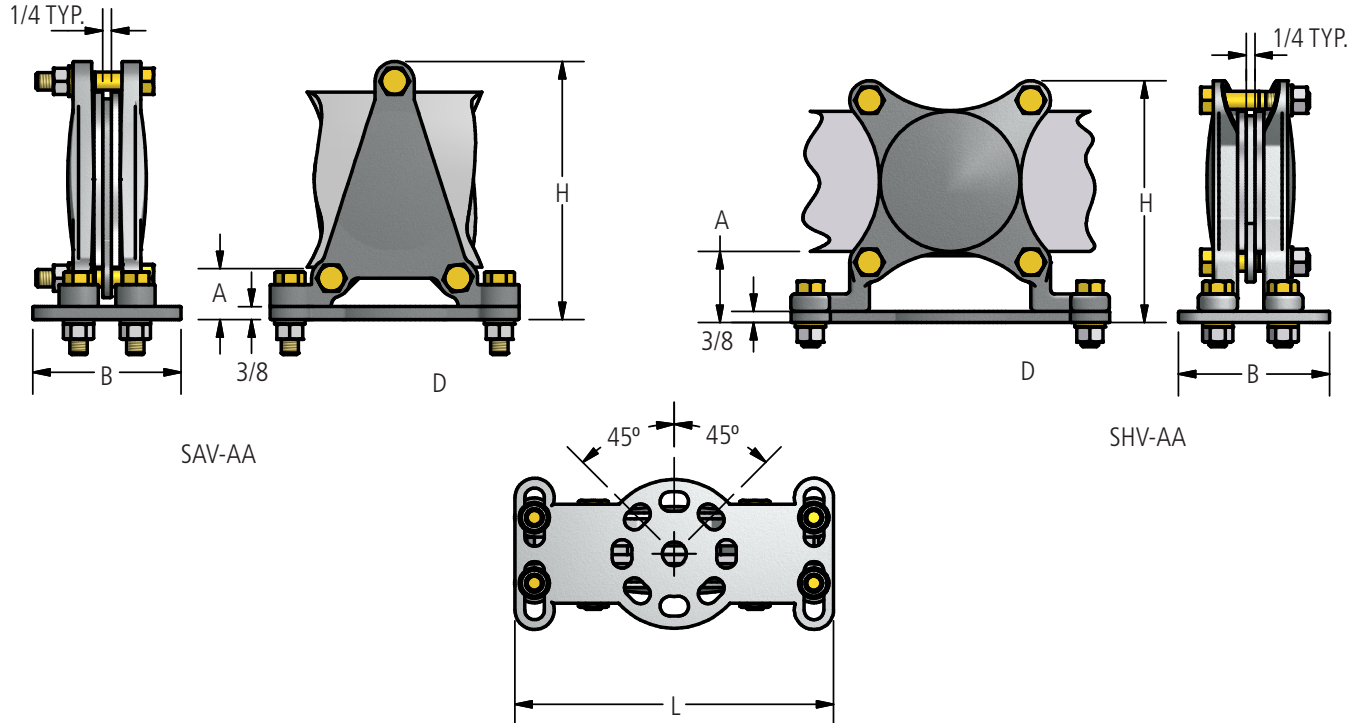
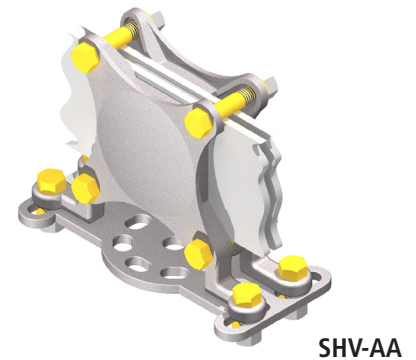
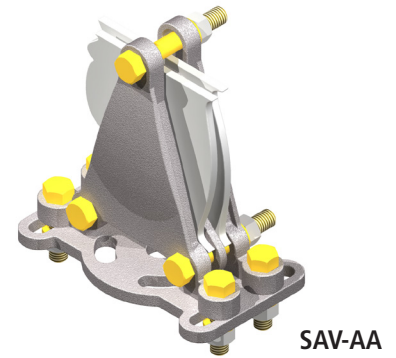
Hardware

Yellow anodized aluminum bolts, nuts, and lockwashers.
Galvanized steel base mounting hardware is included.

Note

Double group supports include a single wide spacer only. For more than 2 bars supported; follow the bolt circle number with number of bars to be supported. For example, for a 4 inch width bus and a 5 inch bolt circle with 4 bars to be supported order: EX: SAV-4-5-4-AA.

For base mounting dimensions and hardware see page 3 in the general catalog index.



DOSSERT® TYPE SAV-AA, SHV-AA Vertical Bus Support Clamps

Ordering Information

CATALOG NUMBER		BOLT CIRCLE	DIMENSIONS IN INCHES					BOLT SIZE
SAV-AA SERIES	SHV-AA SERIES		WIDTH OF BARS	B	A	H	L	
SAV2-3-AA	SHV2-3-AA	3	2	4 1/4	1 3/4	4 7/16	7 1/8	3/8
SAV2-5-AA	SHV2-5-AA	5	2	6 1/4	1 3/4	4 7/16	8 1/8	3/8
SAV3-3-AA	SHV3-3-AA	3	3	4 1/4	1 3/4	5 7/16	7 1/8	3/8
SAV3-5-AA	SHV3-5-AA	5	3	6 1/4	1 3/4	5 7/16	8 1/8	3/8
SAV4-3-AA	SHV4-3-AA	3	4	4 1/4	1 7/8	6 7/8	7 1/8	1/2
SAV4-5-AA	SHV4-5-AA	5	4	6 1/4	1 7/8	6 7/8	8 1/8	1/2
SAV5-3-AA	SHV5-3-AA	3	5	4 1/4	1 7/8	7 7/8	7 1/8	1/2
SAV5-5-AA	SHV5-5-AA	5	5	6 1/4	1 7/8	7 7/8	8 1/8	1/2
SAV6-3-AA	SHV6-3-AA	3	6	4 1/4	1 7/8	8 7/8	7 1/8	1/2
SAV6-5-AA	SHV6-5-AA	5	6	6 1/4	1 7/8	8 7/8	8 1/8	1/2