

### DOSSERT®

#### TYPE XCW-AA

#### Expansion Coupler Connector

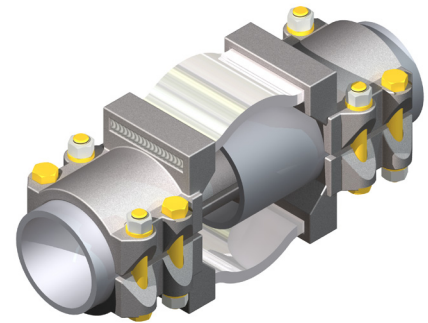
Expansion couplers are designed to compensate for expansion and contraction in long bus runs.

#### Material

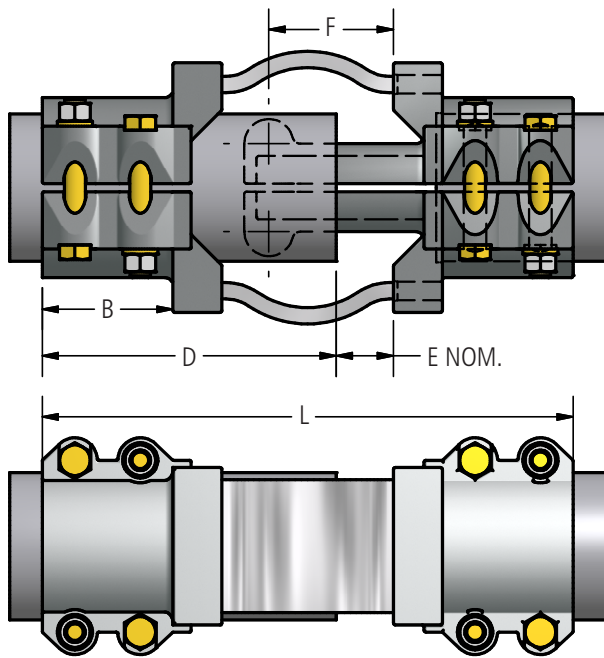
Aluminum Alloy

#### Hardware

Yellow anodized aluminum bolts, nuts, and lockwashers.



230 kV Aluminum Bolted Couplers



### Ordering Information

CATALOG NUMBER		SPS	DIMENSIONS IN INCHES					
SCH40	SCH80		B	D	E	F	L	BOLT SIZE
XCW100-AA	XCW100E-AA	1	2-3/4	7-5/16	1-1/2	3-1/4	12-5/16	1/2
XCW125-AA	XCW125E-AA	1-1/4	3	8-1/2	1-1/2	3-1/4	14-3/4	1/2
XCW150-AA	XCW150E-AA	1-1/2	3	8-11/16	1-1/2	3-1/2	15-3/16	1/2
XCW200-AA	XCW200E-AA	2	3-1/4	8-1/2	2-1/8	4-3/4	16-1/2	1/2
XCW250-AA	XCW250E-AA	2-1/2	3-1/4	9-7/16	2-1/8	4-3/4	17-7/16	1/2
XCW300-AA	XCW300E-AA	3	3-1/2	10-1/2	2-1/8	4-3/4	18-3/4	5/8
XCW350-AA	XCW350E-AA	3-1/2	3-1/2	11	2-1/8	4-3/4	19-3/4	5/8
XCW400-AA	XCW400E-AA	4	3-3/4	11-13/16	2-1/8	4-3/4	20-11/16	5/8
XCW500-AA	XCW500E-AA	5	4	12	2-7/8	6-5/8	21-7/8	5/8
XCW600-AA	XCW600E-AA	6	4	14-1/4	2-7/8	6-5/8	24-1/8	5/8