

DOSSERT® TYPE XLW-90V-AA, XLWO-AA Expansion Terminal Connector

Expansion terminal is designed to compensate for expansion and contraction in bus runs. Pad conforms to NEMA standards. Dimension "D" shown is for an installation temperature of 68°F(20°C). XLW-90V is the product number for a center-formed pad, XLWO is for an offset pad. Products from factory are for use with Sch. 40 pipe, to order for use with Sch. 80 pipe see notes below.

Material

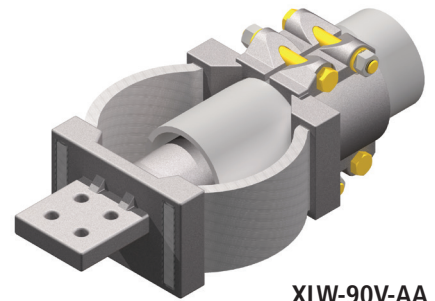
Aluminum Alloy

Hardware

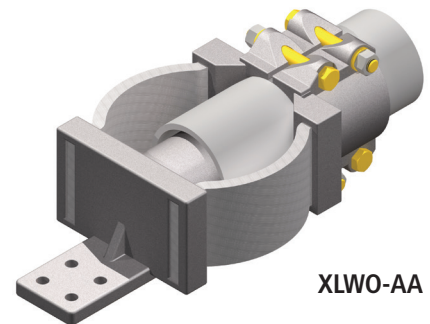
Yellow anodized aluminum nuts, bolts and lockwashers.

Notes

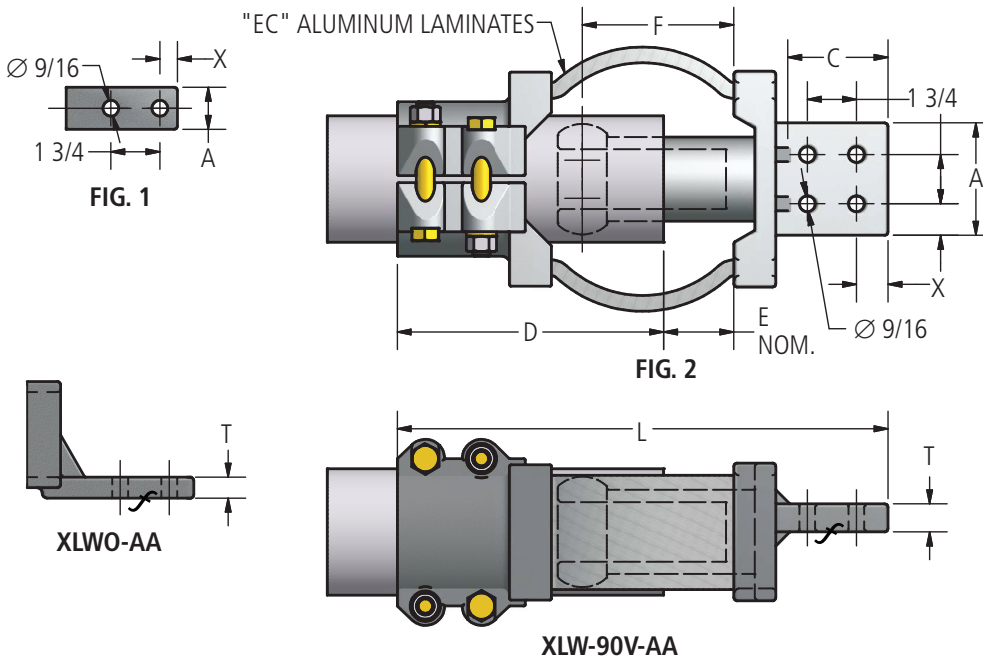
1. Add "P" to catalog number to remove alignment guide.
EX: XLWP200-4N4-90V-AA or XLWOP200-4N4-AA.
2. Add "E" to the catalog number for extra heavy pipe.
EX: XLW200E-4N4-90V-AA or XLWO200E-4N4-AA.



XLW-90V-AA



XLWO-AA



230 kV Aluminum Bolted Terminal Connectors

DOSSERT®

TYPE XLW-90V-AA, XLWO-AA Expansion Terminal Connector

Ordering Information

| CATALOG NUMBER* | CATALOG NUMBER* | SPS | FIG. NO. | DIMENSIONS IN INCHES | | | | | | | | | BOLT SIZE |
|-------------------|-----------------|-------|----------|----------------------|---|---------|-------|-------|--------|-------|-------|-----|-----------|
| | | | | A | C | D | E | F | L | T | X | | |
| XLW100-2N-90V-AA | XLWO100-2N-AA | 1 | 1 | 2 | 3 | 7-1/8 | 1-1/2 | 3-1/2 | 12-5/8 | 1/2 | 5/8 | 1/2 | |
| XLW100-4N-90V-AA | XLWO100-4N-AA | 1 | 2 | 3 | 3 | 7-1/8 | 1-1/2 | 3-1/2 | 12-5/8 | 1/2 | 5/8 | 1/2 | |
| XLW125-2N-90V-AA | XLWO125-2N-AA | 1-1/4 | 1 | 2 | 3 | 8-1/4 | 1-1/2 | 3-1/2 | 13-3/4 | 1/2 | 5/8 | 1/2 | |
| XLW125-4N-90V-AA | XLWO125-4N-AA | 1-1/4 | 2 | 3 | 3 | 8-1/4 | 1-1/2 | 3-1/2 | 13-3/4 | 1/2 | 5/8 | 1/2 | |
| XLW150-2N-90V-AA | XLWO150-2N-AA | 1-1/2 | 1 | 2-1/2 | 3 | 8-3/8 | 1-1/2 | 3-1/2 | 14 | 5/8 | 5/8 | 1/2 | |
| XLW150-4N-90V-AA | XLWO150-4N-AA | 1-1/2 | 2 | 3 | 3 | 8-3/8 | 1-1/2 | 3-1/2 | 14 | 5/8 | 5/8 | 1/2 | |
| XLW150-4N4-90V-AA | XLWO150-4N4-AA | 1-1/2 | 2 | 4 | 4 | 8-3/8 | 1-1/2 | 3-1/2 | 15 | 5/8 | 1-1/8 | 1/2 | |
| XLW200-2N-90V-AA | XLWO200-2N-AA | 2 | 1 | 2-3/4 | 3 | 9-9/16 | 2-1/2 | 4-1/2 | 16-3/4 | 3/4 | 5/8 | 1/2 | |
| XLW200-4N-90V-AA | XLWO200-4N-AA | 2 | 2 | 3 | 3 | 9-9/16 | 2-1/2 | 4-1/2 | 16-3/4 | 3/4 | 5/8 | 1/2 | |
| XLW200-4N4-90V-AA | XLWO200-4N4-AA | 2 | 2 | 4 | 4 | 9-9/16 | 2-1/2 | 4-1/2 | 17-3/4 | 3/4 | 1-1/8 | 1/2 | |
| XLW250-2N-90V-AA | XLWO250-2N-AA | 2-1/2 | 1 | 2-3/4 | 3 | 10-5/16 | 2-1/2 | 4-1/2 | 17-1/2 | 3/4 | 5/8 | 1/2 | |
| XLW250-4N-90V-AA | XLWO250-4N-AA | 2-1/2 | 2 | 3 | 3 | 10-5/16 | 2-1/2 | 4-1/2 | 17-1/2 | 3/4 | 5/8 | 1/2 | |
| XLW250-4N4-90V-AA | XLWO250-4N4-AA | 2-1/2 | 2 | 4 | 4 | 10-5/16 | 2-1/2 | 4-1/2 | 18-1/2 | 3/4 | 1-1/8 | 1/2 | |
| XLW300-4N-90V-AA | XLWO300-4N-AA | 3 | 2 | 3 | 3 | 11-9/16 | 2-1/2 | 4-1/2 | 18-3/4 | 7/8 | 5/8 | 5/8 | |
| XLW300-4N4-90V-AA | XLWO300-4N4-AA | 3 | 2 | 4 | 4 | 11-9/16 | 2-1/2 | 4-1/2 | 19-3/4 | 7/8 | 1-1/8 | 5/8 | |
| XLW350-4N-90V-AA | XLWO350-4N-AA | 3-1/2 | 2 | 3 | 3 | 12-9/16 | 2-1/2 | 4-1/2 | 20-1/8 | 7/8 | 5/8 | 5/8 | |
| XLW350-4N4-90V-AA | XLWO350-4N4-AA | 3-1/2 | 2 | 4 | 4 | 12-9/16 | 2-1/2 | 4-1/2 | 21-1/8 | 7/8 | 1-1/8 | 5/8 | |
| XLW400-4N4-90V-AA | XLWO400-4N4-AA | 4 | 2 | 4 | 4 | 12-3/4 | 2-1/2 | 4-1/2 | 21-3/4 | 1 | 1-1/8 | 5/8 | |
| XLW500-4N4-90V-AA | XLWO500-4N4-AA | 5 | 2 | 4 | 4 | 15 | 2-1/2 | 4-1/2 | 24 | 1-1/4 | 1-1/8 | 5/8 | |
| XLW600-4N4-90V-AA | XLWO600-4N4-AA | 6 | 2 | 4 | 4 | 17 | 2-1/2 | 4-1/2 | 26-3/8 | 1-3/8 | 1-1/8 | 5/8 | |

* See Notes for SCH80 Ordering Information.

230 kV Aluminum Bolted Terminal Connectors