

## DOSSERT® TYPE XLW-AA, XLW-90-AA Expansion Terminal Connector

Expansion terminal is designed to compensate for expansion and contraction in bus runs. Pad conforms to NEMA standards.

### Material

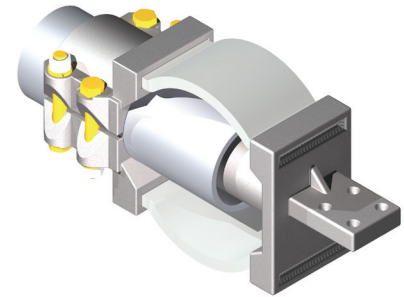
Aluminum Alloy

### Hardware

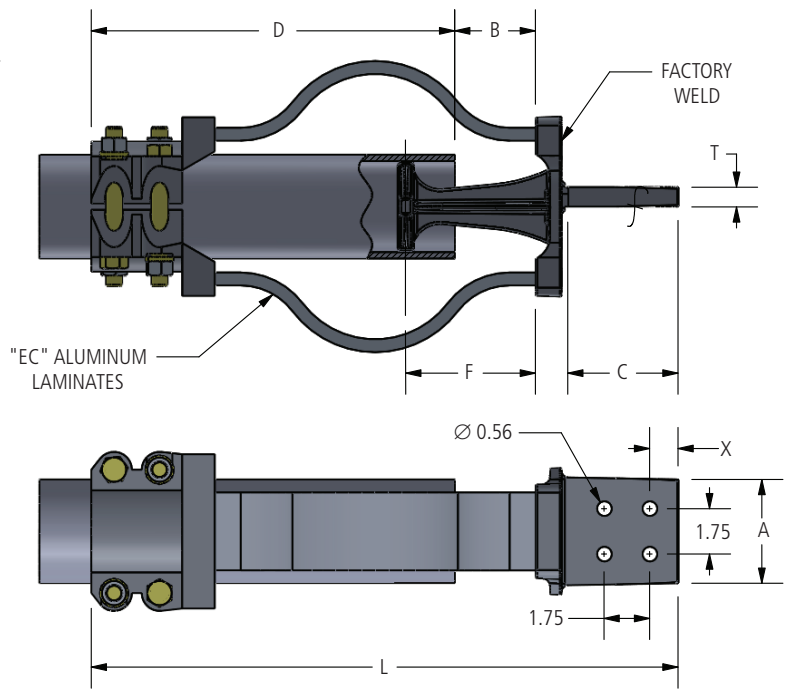
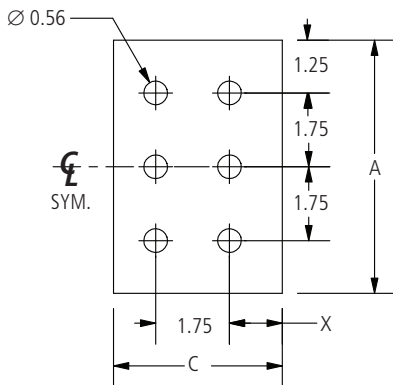
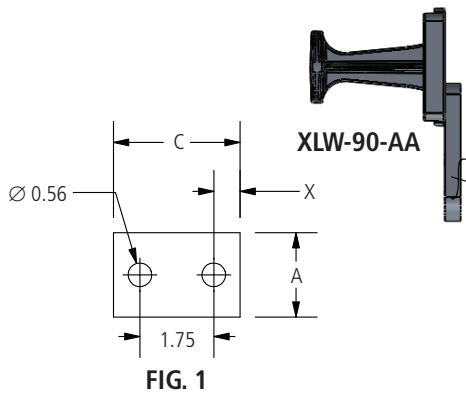
Aluminum bolts, lockwashers and nuts

### Notes

- For an expansion terminal at 90°, add suffix "-90" to catalog number. EX: XLWP125-4N-AA
- To order without alignment guide, add "P" to catalog number. EX: XLWP125-4N-AA
- For schedule 80 pipe, add "E" to catalog number. EX: XLW125E-4N-AA
- For Stainless Steel bolts, lockwashers and Everdur nuts, add "-SSHBN" to catalog number. EX: XLW350-4N4-AA-SSHBN
- For Galvanized Steel Hardware, add "-GS" to catalog number. EX: XLW350-4N4-AA-GS



230 kV Aluminum Bolted Terminal Connectors



## DOSSERT® TYPE XLW-AA, XLW-90-AA Expansion Terminal Connector

### Ordering Information

CATALOG NUMBER	FIG. NO.	SPS	DIMENSIONS IN INCHES								BOLT SIZE
			A	B	C	D	F	L	T	X	
XLW100-2N-AA	1	1	2.00	1.50	3.00	7.13	3.50	12.63	0.50	0.63	1/2
XLW100-4N-AA	2	1	3.00	1.50	3.00	7.13	3.50	12.63	0.50	0.63	1/2
XLW125-2N-AA	1	1 1/4	2.00	1.50	3.00	8.25	3.50	13.75	0.50	0.63	1/2
XLW125-4N-AA	2	1 1/4	3.00	1.50	3.00	8.25	3.50	13.75	0.50	0.63	1/2
XLW150-2N-AA	1	1 1/2	2.00	1.50	3.00	8.38	3.50	14.00	0.63	0.63	1/2
XLW150-4N-AA	2	1 1/2	3.00	1.50	3.00	8.38	3.50	14.00	0.63	0.63	1/2
XLW150-4N4-AA	2	1 1/2	4.00	1.50	4.00	8.38	3.50	15.00	0.63	1.13	1/2
XLW200-2N-AA	1	2	2.00	2.50	3.00	9.56	4.50	16.75	0.75	0.63	1/2
XLW200-4N-AA	2	2	3.00	2.50	3.00	9.56	4.50	16.75	0.75	0.63	1/2
XLW200-4N4-AA	2	2	4.00	2.50	4.00	9.56	4.50	17.75	0.75	1.13	1/2
XLW250-2N-AA	1	2 1/2	2.00	2.50	3.00	10.31	4.50	17.50	0.75	0.63	1/2
XLW250-4N-AA	2	2 1/2	3.00	2.50	3.00	10.31	4.50	17.50	0.75	0.63	1/2
XLW250-4N4-AA	2	2 1/2	4.00	2.50	4.00	10.31	4.50	18.50	0.75	1.13	1/2
XLW300-2N-AA	1	3	3.00	2.50	3.00	11.56	4.50	18.75	0.88	0.63	5/8
XLW300-4N-AA	2	3	3.00	2.50	3.00	11.56	4.50	18.75	0.88	0.63	5/8
XLW300-4N4-AA	2	3	4.00	2.50	4.00	11.56	4.50	19.75	0.88	1.13	5/8
XLW350-4N-AA	2	3 1/2	3.00	2.50	3.00	12.56	4.50	20.13	0.88	0.63	5/8
XLW350-4N4-AA	2	3 1/2	4.00	2.50	4.00	12.56	4.50	21.13	0.81	1.13	5/8
XLW350-6N4-AA	3	3 1/2	6.00	2.50	4.00	12.56	4.50	21.13	0.88	1.25	5/8
XLW400-4N-AA	2	4	4.00	2.50	3.00	12.75	4.50	21.75	1.00	0.63	5/8
XLW400-4N4-AA	2	4	4.00	2.50	4.00	12.75	4.50	21.75	1.00	1.13	5/8
XLW400-6N4-AA	3	4	6.00	2.50	4.00	12.75	4.50	21.75	1.00	1.13	5/8
XLW500-4N4-AA	2	5	4.00	2.50	4.00	15.00	4.50	24.00	1.25	1.13	5/8
XLW500-6N4-AA	3	5	6.00	2.50	4.00	15.00	4.50	24.00	1.25	1.25	5/8
XLW600-4N4-AA	2	6	4.00	2.50	4.00	17.00	4.50	26.38	1.38	1.13	5/8
XLW600-6N4-AA	3	6	6.00	2.50	4.00	17.00	4.50	26.38	1.38	1.25	5/8