

DOSSERT®

TYPE PSDC-AA

Bus Support, Pipe, Slide or Tight Fit

A bus support coupler for joining and supporting two tubular buses on a post type insulator. Designed for high resistance to impact and cantilever and torsional stresses.

Material

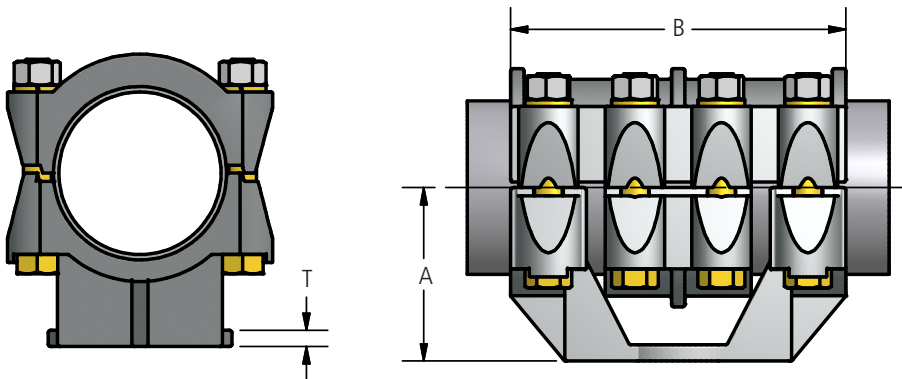
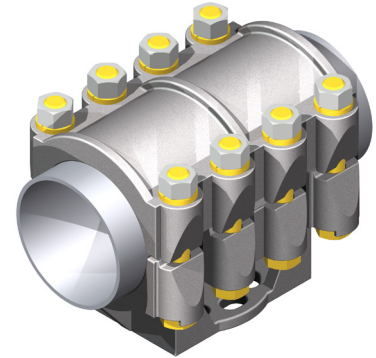
Aluminum Alloy

Hardware

Yellow anodized aluminum nuts, bolts and lockwashers.
Galvanized steel mounting hardware included.

Notes

For base mounting dimensions and hardware see page 3 in the general catalog index.



Ordering Information

CATALOG NUMBER	SPS	BOLT CIRCLE	DIMENSIONS IN INCHES			
			A	B	T	BOLT SIZE
PSDC75-3-AA	3/4	3	2	6 3/4	3/8	1/2
PSDC75-5-AA	3/4	5	2 1/4	9	3/8	1/2
PSDC100-3-AA	1	3	2	7	3/8	1/2
PSDC100-5-AA	1	5	2 1/4	7 1/4	3/8	1/2
PSDC125-3-AA	1 1/4	3	2 1/4	7 1/4	3/8	1/2
PSDC125-5-AA	1 1/4	5	2 3/8	9 1/2	3/8	1/2
PSDC150-3-AA	1 1/2	3	2 1/2	7 1/4	3/8	1/2
PSDC150-5-AA	1 1/2	5	2 1/2	9 1/2	3/8	1/2
PSDC200-3-AA	2	3	2 3/4	7 1/4	3/8	1/2
PSDC200-5-AA	2	5	2 3/4	9 1/2	3/8	1/2
PSDC250-3-AA	2 1/2	3	3 1/8	7 3/4	3/8	1/2
PSDC250-5-AA	2 1/2	5	3 1/8	10	3/8	1/2
PSDC300-3-AA	3	3	3 5/8	7 3/4	3/8	5/8
PSDC300-5-AA	3	5	3 5/8	10	3/8	5/8
PSDC300-7-AA	3	7	3 5/8	12 1/4	1/2	5/8
PSDC350-3-AA	3 1/2	3	4	7 3/4	3/8	5/8
PSDC350-5-AA	3 1/2	5	4	10	3/8	5/8
PSDC350-7-AA	3 1/2	7	4	12 1/4	1/2	5/8
PSDC400-3-AA	4	3	4 1/2	7 3/4	1/2	5/8
PSDC400-5-AA	4	5	4 1/2	10	1/2	5/8
PSDC400-7-AA	4	7	4 1/2	12 1/4	1/2	5/8
PSDC500-3-AA	5	3	5	8 1/4	1/2	5/8
PSDC500-5-AA	5	5	5	10 1/2	1/2	5/8
PSDC500-7-AA	5	7	5	12 3/4	5/8	5/8
PSDC600-3-AA	6	3	5 1/2	7 3/4	1/2	5/8
PSDC600-5-AA	6	5	5 1/2	10	1/2	5/8
PSDC600-7-AA	6	7	5 1/2	12 1/4	1/2	5/8