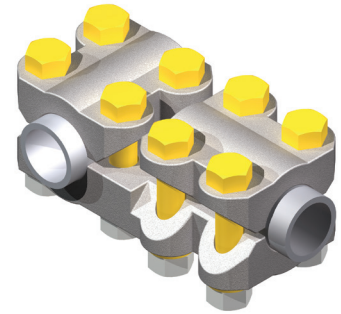


DOSSERT® TYPE BAP-AA

Tee Connector

Tee connector is designed to make a tee connection in bus construction. Connector can be used on Schedule 40 and Schedule 80 pipe. Four clamp bolts on each conductor ensures positive electrical contact.



Material

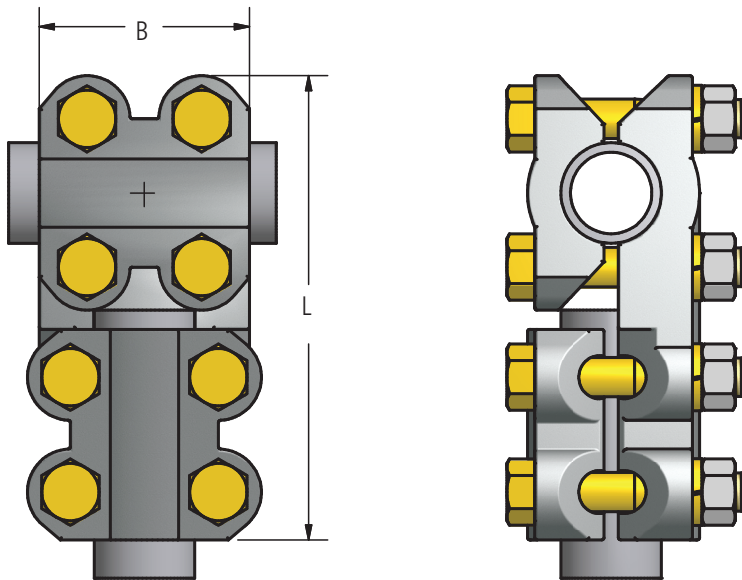
Aluminum Alloy

Hardware

Yellow anodized aluminum bolts, nuts, and lockwashers.

Notes

Contact surfaces can be precoated by adding suffix -LP.



Ordering Information

CATALOG NUMBER	SPS		DIMENSIONS IN INCHES		BOLT SIZE
	MAIN	TAP	B	L	
BAP75-75-AA	3/4	3/4	2 3/4	5 13/16	1/2
BAP100-50-AA	1	1/2	2 3/4	6 1/16	1/2
BAP100-75-AA	1	3/4	2 3/4	6 1/16	1/2
BAP100-100-AA	1	1	2 3/4	6 1/16	1/2
BAP100-150-AA	1	1 1/2	2 3/4	6 5/16	1/2
BAP100-200-AA	1	2	2 3/4	6 9/16	1/2
BAP100-250-AA	1	2 1/2	2 3/4	6 9/16	1/2
BAP125-75-AA	1 1/4	3/4	3	6 13/32	1/2
BAP125-100-AA	1 1/4	1	3	6 13/32	1/2
BAP125-125-AA	1 1/4	1 1/4	3	6 21/32	1/2
BAP150-75-AA	1 1/2	3/4	3	6 21/32	1/2
BAP150-100-AA	1 1/2	1	3	6 21/32	1/2
BAP150-125-AA	1 1/2	1 1/4	3	6 29/32	1/2
BAP150-150-AA	1 1/2	1 1/2	3	6 29/32	1/2

DOSSERT®

TYPE BAP-AA

Tee Connector

Ordering Information

CATALOG NUMBER	SPS		DIMENSIONS IN INCHES		BOLT SIZE
	MAIN	TAP	B	L	
BAP150-200-AA	1 1/2	2	3	7 5/32	1/2
BAP150-250-AA	1 1/2	2 1/2	3	7 5/32	1/2
BAP150-300-AA	1 1/2	3	3	7 3/8	1/2
BAP200-75-AA	2	3/4	3 1/4	7 1/8	1/2
BAP200-100-AA	2	1	3 1/4	7 1/8	1/2
BAP200-125-AA	2	1 1/4	3 1/4	7 3/8	1/2
BAP200-150-AA	2	1 1/2	3 1/4	7 3/8	1/2
BAP200-200-AA	2	2	3 1/4	7 5/8	1/2
BAP200-250-AA	2	2 1/2	3 1/4	7 5/8	1/2
BAP200-300-AA	2	3	3 1/4	7 7/8	1/2
BAP200-350-AA	2	3 1/2	3 1/4	8 1/4	1/2 and 5/8
BAP200-62R-S-AA	2	5/8R	3 1/4	6 1/2	1/2
BAP250-75-AA	2 1/2	3/4	3 1/4	7 5/8	1/2
BAP250-100-AA	2 1/2	1	3 1/4	7 5/8	1/2
BAP250-125-AA	2 1/2	1 1/4	3 1/4	7 7/8	1/2
BAP250-150-AA	2 1/2	1 1/2	3 1/4	7 7/8	1/2
BAP250-200-AA	2 1/2	2	3 1/4	8 1/8	1/2
BAP250-250-AA	2 1/2	2 1/2	3 1/4	8 1/8	1/2
BAP250-300-AA	2 1/2	3	3 1/4	8 3/8	1/2
BAP250-350-AA	2 1/2	3 1/2	3 1/4	8 1/4	1/2
BAP300-75-AA	3	3/4	3	8 1/4	1/2
BAP300-100-AA	3	1	3	8 1/2	1/2
BAP300-125-AA	3	1 1/4	3	8 1/2	1/2
BAP300-150-AA	3	1 1/2	3 1/2	8 3/4	1/2
BAP300-200-AA	3	2	3 1/2	8 3/4	1/2
BAP300-250-AA	3	2 1/2	3 1/2	8 3/4	1/2
BAP300-300-AA	3	3	3 3/4	8 3/4	5/8
BAP350-100-AA	3 1/2	1	3 1/2	8 3/4	1/2
BAP350-125-AA	3 1/2	1 1/4	3 1/2	9	1/2
BAP350-150-AA	3 1/2	1 1/2	3 1/2	9	1/2
BAP350-200-AA	3 1/2	2	3 1/2	9 1/4	1/2
BAP350-250-AA	3 1/2	2 1/2	3 1/2	9 1/4	5/8 and 1/2
BAP350-300-AA	3 1/2	3	3 3/4	10	5/8
BAP350-350-AA	3 1/2	3 1/2	3 3/4	10	5/8
BAP400-100-AA	4	1	3 1/4	9 1/4	1/2
BAP400-125-AA	4	1 1/4	3 1/4	9 1/2	1/2
BAP400-150-AA	4	1 1/2	3 1/4	9 1/2	1/2
BAP400-200-AA	4	2	3 1/4	9 3/4	1/2
BAP400-250-AA	4	2 1/2	3 1/4	9 3/4	1/2
BAP400-300-AA	4	3	3 3/4	10 1/2	5/8
BAP400-350-AA	4	3 1/2	3 3/4	10 1/2	5/8
BAP400-400-AA	4	4	3 3/4	10 5/8	5/8
BAP500-150-AA	5	1 1/2	3 3/4	10 15/16	5/8 and 1/2
BAP500-250-AA	5	2 1/2	3 3/4	10 15/32	1/2
BAP500-300-AA	5	3	3 3/4	11 3/4	5/8
BAP500-500-AA	5	5	7	15	5/8
BAP600-300-AA	6	3	3 3/4	12 3/4	5/8
BAP600-600-AA	6	6	8	17	5/8
BAP125-118R-AA	1 1/4	30MM	3	6 13/32	1/2
BAP-500-393R-AA	5	100MM	3 3/4	11 3/4	5/8