

## DOSSERT® TYPE BP-AA, BPA-75-AA, BPA-80-AA

### Standard, 75 Degree and 80 Degree Tee Connector

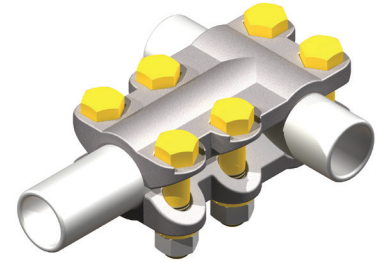
An aluminum tee connector designed for maximum efficiency and reliability. Connector can be used with Schedule 40 and Schedule 80 pipe.

#### Material

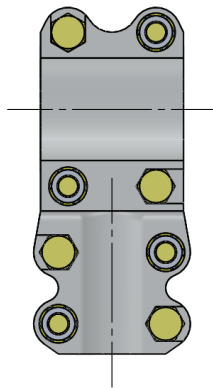
Aluminum Alloy

#### Hardware

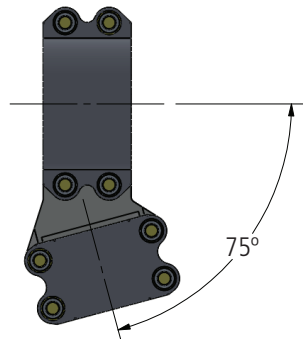
Yellow anodized aluminum bolts, nuts, and lockwashers.



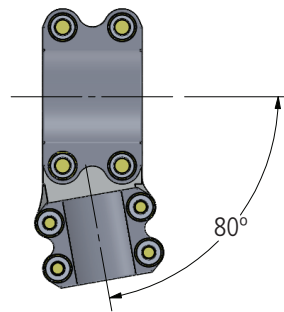
230 kV Aluminum Bolted Tee & Vee Connectors



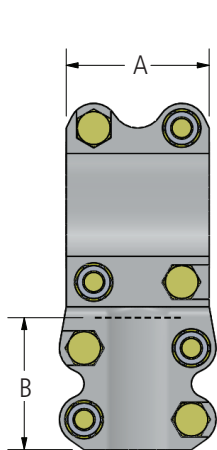
BP-AA



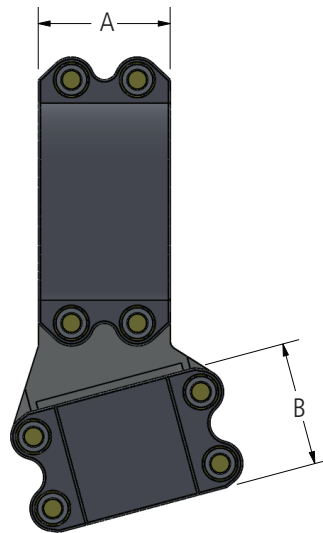
BPA-75-AA



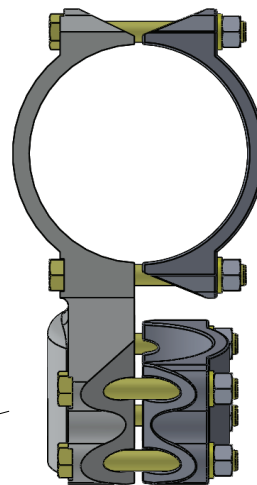
BPA-80-AA



BP-AA



BPA-AA



## DOSSERT®

### TYPE BP-AA, BPA-75-AA, BPA-80-AA

Standard, 75 Degree, and 80 Degree Tee Connector

#### Ordering Information

CATALOG NUMBER			SPS		DIMENSIONS IN INCHES		BOLT SIZE
STANDARD	75 DEGREES	80 DEGREES	RUN	TAP	A	B	
BP100-75-AA	BPA100-75-75-AA	BPA100-75-80-AA	1	3/4	2-3/4	2-3/4	1/2
BP100-100-AA	BPA100-100-75-AA	BPA100-100-80-AA	1	1	2-3/4	2-3/4	1/2
BP125-75-AA	BPA125-75-75-AA	BPA125-75-80-AA	1-1/4	3/4	3	2-3/4	1/2
BP125-100-AA	BPA125-100-75-AA	BPA125-100-80-AA	1-1/4	1	3	2-3/4	1/2
BP125-125-AA	BPA125-125-75-AA	BPA125-125-80-AA	1-1/4	1-1/4	3	3	1/2
BP150-100-AA	BPA150-100-75-AA	BPA150-100-80-AA	1-1/2	1	3	2-3/4	1/2
BP150-125-AA	BPA150-125-75-AA	BPA150-125-80-AA	1-1/2	1-1/4	3	3	1/2
BP150-150-AA	BPA150-150-75-AA	BPA150-150-80-AA	1-1/2	1-1/2	3	3	1/2
BP200-100-AA	BPA200-100-75-AA	BPA200-100-80-AA	2	1	3-1/4	2-3/4	1/2
BP200-125-AA	BPA200-125-75-AA	BPA200-125-80-AA	2	1-1/4	3-1/4	3	1/2
BP200-150-AA	BPA200-150-75-AA	BPA200-150-80-AA	2	1-1/2	3-1/4	3	1/2
BP200-200-AA	BPA200-200-75-AA	BPA200-200-80-AA	2	2	3-1/4	3-1/4	1/2
BP200-250-AA	BPA200-250-75-AA	BPA200-250-80-AA	2	2-1/2	3-1/4	3-1/4	1/2
BP250-75-AA	BPA250-75-75-AA	BPA250-75-80-AA	2-1/2	3/4	3-1/4	2-3/4	1/2
BP250-100-AA	BPA250-100-75-AA	BPA250-100-80-AA	2-1/2	1	3-1/4	2-3/4	1/2
BP250-125-AA	BPA250-125-75-AA	BPA250-125-80-AA	2-1/2	1-1/4	3-1/4	3	1/2
BP250-150-AA	BPA250-150-75-AA	BPA250-150-80-AA	2-1/2	1-1/2	3-1/4	3	1/2
BP250-200-AA	BPA250-200-75-AA	BPA250-200-80-AA	2-1/2	2	3-1/4	3-1/4	1/2
BP250-250-AA	BPA250-250-75-AA	BPA250-250-80-AA	2-1/2	2-1/2	3-1/4	3-1/4	1/2
BP300-100-AA	BPA300-100-75-AA	BPA300-100-80-AA	3	1	3-1/4	2-3/4	1/2
BP300-125-AA	BPA300-125-75-AA	BPA300-125-80-AA	3	1-1/4	3-1/4	3	1/2
BP300-150-AA	BPA300-150-75-AA	BPA300-150-80-AA	3	1-1/2	3-1/4	3	1/2
BP300-200-AA	BPA300-200-75-AA	BPA300-200-80-AA	3	2	3-1/4	3-1/4	1/2
BP300-250-AA	BPA300-250-75-AA	BPA300-250-80-AA	3	2-1/2	3-1/4	3-1/4	1/2
BP300-300-AA	BPA300-300-75-AA	BPA300-300-80-AA	3	3	3-3/4	3-3/4	5/8
BP350-100-AA	BPA350-100-75-AA	BPA350-100-80-AA	3-1/2	1	3-1/4	2-3/4	1/2
BP350-125-AA	BPA350-125-75-AA	BPA350-125-80-AA	3-1/2	1-1/4	3-1/4	3	1/2
BP350-150-AA	BPA350-150-75-AA	BPA350-150-80-AA	3-1/2	1-1/2	3-1/4	3	1/2
BP350-200-AA	BPA350-200-75-AA	BPA350-200-80-AA	3-1/2	2	3-1/4	3-1/4	1/2
BP350-250-AA	BPA350-250-75-AA	BPA350-250-80-AA	3-1/2	2-1/2	3-1/4	3-1/4	1/2
BP350-300-AA	BPA350-300-75-AA	BPA350-300-80-AA	3-1/2	3	3-3/4	3-3/4	5/8
BP350-350-AA	BPA350-350-75-AA	BPA350-350-80-AA	3-1/2	3-1/2	3-3/4	3-3/4	5/8
BP400-125-AA	BPA400-125-75-AA	BPA400-125-80-AA	4	1-1/4	3-1/4	3	1/2
BP400-150-AA	BPA400-150-75-AA	BPA400-150-80-AA	4	1-1/2	3-1/4	3	1/2
BP400-200-AA	BPA400-200-75-AA	BPA400-200-80-AA	4	2	3-1/4	3-1/4	1/2
BP400-250-AA	BPA400-250-75-AA	BPA400-250-80-AA	4	2-1/2	3-1/4	3-1/4	1/2
BP400-300-AA	BPA400-300-75-AA	BPA400-300-80-AA	4	3	3-3/4	3-3/4	5/8
BP400-350-AA	BPA400-350-75-AA	BPA400-350-80-AA	4	3-1/2	3-3/4	3-3/4	5/8
BP400-400-AA	BPA400-400-75-AA	BPA400-400-80-AA	4	4	3-3/4	3-3/4	5/8
BP500-150-AA	BPA500-150-75-AA	BPA500-150-80-AA	5	1-1/2	3-1/2	3	1/2
BP500-200-AA	BPA500-200-75-AA	BPA500-200-80-AA	5	2	3-1/2	3-1/4	1/2
BP500-250-AA	BPA500-250-75-AA	BPA500-250-80-AA	5	2-1/2	3-1/2	3-1/4	1/2
BP500-300-AA	BPA500-300-75-AA	BPA500-300-80-AA	5	3	3-3/4	3-3/4	5/8
BP500-350-AA	BPA500-350-75-AA	BPA500-350-80-AA	5	3-1/2	4	3-3/4	5/8
BP500-400-AA	BPA500-400-75-AA	BPA500-400-80-AA	5	4	4	3-3/4	5/8
BP500-500-AA	BPA500-500-75-AA	BPA500-500-80-AA	5	5	4	4	5/8
BP600-250-AA	BPA600-250-75-AA	BPA600-250-80-AA	6	2-1/2	3-1/2	3-1/4	1/2
BP600-300-AA	BPA600-300-75-AA	BPA600-300-80-AA	6	3	4	3-3/4	5/8
BP600-350-AA	BPA600-350-75-AA	BPA600-350-80-AA	6	3-1/2	4	3-3/4	5/8
BP600-400-AA	BPA600-400-75-AA	BPA600-400-80-AA	6	4	4	3-3/4	5/8
BP600-500-AA	BPA600-500-75-AA	BPA600-500-80-AA	6	5	4	4	5/8
BP600-600-AA	BPA600-600-75-AA	BPA600-600-80-AA	6	6	4	4	5/8