

## DOSSERT<sup>®</sup> TYPE TPC-N-AA Terminal Connector

Terminal is designed to connect to aluminum or copper pads. Pad conforms to NEMA standards.

### Material

Aluminum Alloy

### Hardware

Yellow anodized aluminum nuts, bolts and lockwashers.

### Notes

- For Contact surfaces prefilled with AFC and packaged in polyethylene bag, add "-LP" to catalog number. EX: TPC200-4N4-AA-LP
- For Finish on both sides of pad, add "F" to catalog number. EX: TPC200-4N4F-AA
- For Stainless Steel bolts, lockwashers and Everdur nuts, add "-SSHBN" to catalog number. EX: TPC250-4N4-AA-SSHBN
- For Galvanized Steel Hardware, add "-GS" to catalog number. EX: TPC600-4N4-AA-GS

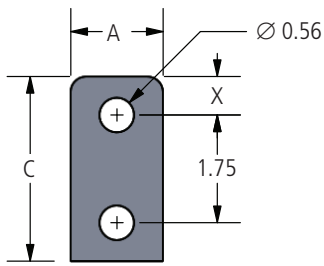
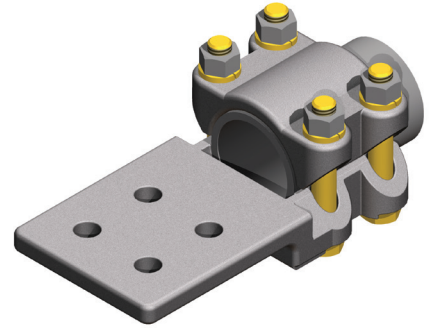


FIG. 1

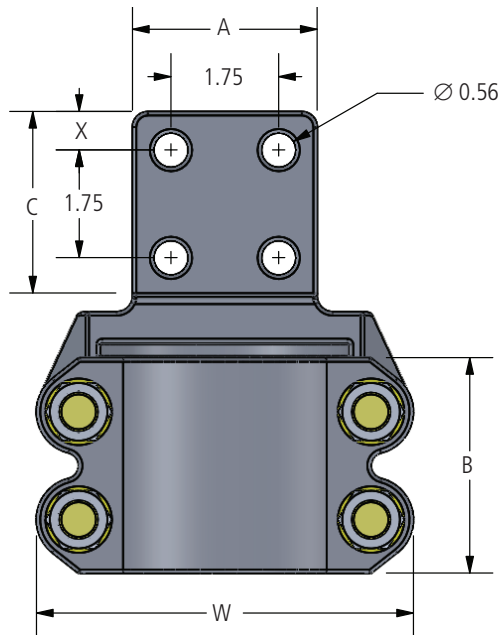


FIG. 2

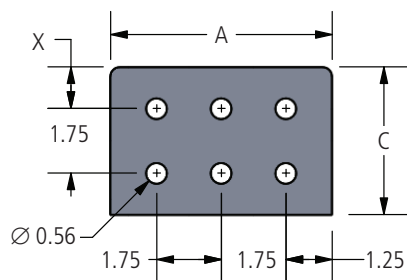
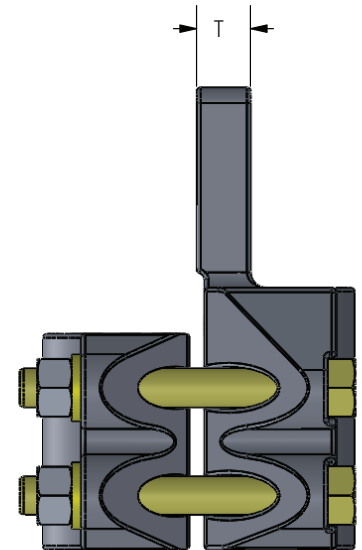


FIG. 3



## DOSSERT® TYPE TPC-N-AA Terminal Connector

### Ordering Information

CATALOG NO	SPS	FIG. NO.	DIMENSIONS IN INCHES						
			A	B	C	T	W	X	BOLT SIZE
TPC75-2N-AA	3/4	1	1.50	2.75	3.00	0.38	2.75	0.63	1/2
TPC75-4N-AA	3/4	2	3.00	2.75	3.00	0.38	2.75	0.63	1/2
TPC100-2N-AA	1	1	2.00	2.75	3.00	0.38	3.07	0.63	1/2
TPC100-4N-AA	1	2	3.00	2.75	3.00	0.38	3.07	0.63	1/2
TPC125-2N-AA	1 1/4	1	2.00	3.00	3.00	0.50	3.45	0.63	1/2
TPC125-4N-AA	1 1/4	2	3.00	3.00	3.00	0.50	3.45	0.63	1/2
TPC125-4N4-AA	1 1/4	2	4.00	3.00	4.00	0.50	3.45	1.13	1/2
TPC150-2N-AA	1 1/2	1	2.00	3.00	3.00	0.50	3.69	0.63	1/2
TPC150-4N-AA	1 1/2	2	3.00	3.00	3.00	0.50	3.69	0.63	1/2
TPC150-4N4-AA	1 1/2	2	4.00	3.00	4.00	0.50	3.69	1.13	1/2
TPC200-2N-AA	2	1	2.00	3.25	3.00	0.63	4.13	0.63	1/2
TPC200-4N-AA	2	2	3.00	3.25	3.00	0.63	4.13	0.63	1/2
TPC200-4N4-AA	2	2	4.00	3.25	4.00	0.63	4.13	1.13	1/2
TPC250-2N-AA	2 1/2	1	2.00	3.25	3.00	0.63	4.63	0.63	1/2
TPC250-4N-AA	2 1/2	2	3.00	3.25	3.00	0.63	4.63	0.63	1/2
TPC250-4N4-AA	2 1/2	2	4.00	3.25	4.00	0.63	4.63	1.13	1/2
TPC300-2N-AA	3	1	2.00	3.75	3.00	0.63	5.63	0.63	5/8
TPC300-3N3-AA	3	2	3.00	3.75	3.00	0.63	5.63	0.63	5/8
TPC300-4N-AA	3	2	4.75	3.75	3.00	0.88	5.63	0.63	5/8
TPC300-4N4-AA	3	2	4.00	3.75	4.00	0.88	5.63	1.13	5/8
TPC350-3N3-AA	3 1/2	2	3.00	3.50	3.00	0.75	6.13	0.63	5/8
TPC350-4N-AA	3 1/2	2	3.00	3.50	3.00	0.88	6.13	0.63	5/8
TPC350-4N4-AA	3 1/2	2	4.00	3.50	4.00	0.75	6.13	1.13	5/8
TPC350-6N4-AA	3 1/2	3	6.00	3.50	4.00	0.75	6.13	1.13	5/8
TPC400-3N3-AA	4	2	3.00	3.75	3.00	0.75	6.63	1.13	5/8
TPC400-4N-AA	4	2	4.75	3.75	3.00	0.75	6.63	0.63	5/8
TPC400-4N4-AA	4	2	4.00	3.75	4.00	0.75	6.63	1.13	5/8
TPC400-5N4-AA	4	3	5.00	3.75	4.00	0.75	6.63	1.13	5/8
TPC400-6N4-AA	4	3	6.00	3.75	4.00	0.75	6.63	1.13	5/8
TPC500-4N4-AA	*5	2	4.00	7.00	4.00	0.88	7.69	1.13	5/8
TPC500-5N4-AA	*5	3	5.00	7.00	4.00	1.00	7.69	1.13	5/8
TPC500-6N4-AA	*5	3	6.00	7.00	4.00	1.00	7.69	1.13	5/8
TPC600-4N-AA	*6	2	3.00	7.00	3.00	1.00	8.76	0.63	5/8
TPC600-4N4-AA	*6	2	4.00	7.00	4.00	1.00	8.76	1.13	5/8
TPC600-6N4-AA	*6	3	6.00	7.00	4.00	1.00	8.76	1.13	5/8

\* Supplied with 6 Clamping Bolts