

DOSSERT®

TYPE GD-AA

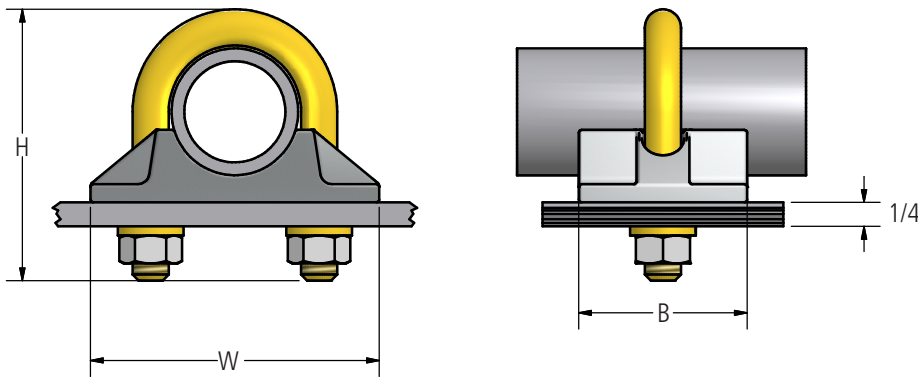
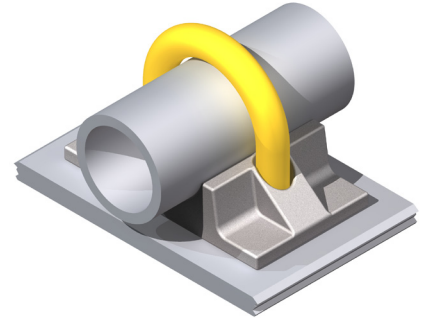
Pipe Ground Clamp

Material

Aluminum Alloy

Hardware

Yellow anodized aluminum U-bolts, nuts, and lockwashers.



Ordering Information

CATALOG NUMBER	GROUND		DIMENSIONS IN INCHES			U-BOLT SIZE
	SPS	ROD	B	H	W	
GD25-AA	1/4	1/2	1-1/4	1-15/16	1-7/8	3/8
GD38-AA	3/8	5/8 - 3/4	1-1/4	2-1/16	2	3/8
GD75-AA	1/2 - 3/4	7/8 - 1	1-1/2	2-7/16	2-1/2	3/8
GD100-AA	1	1 - 1/4	1-3/4	2-9/16	2-5/8	3/8
GD125-AA	1-1/4	1-1/2 - 1-5/8	1-3/4	3-1/8	3	3/8
GD150-AA	1-1/2	1-3/4	2	3-3/8	3-3/16	3/8
GD200-AA	2	2-1/4 - 2-3/8	2	3-7/8	3-11/16	3/8
GD250-AA	2-1/2	2-3/4 - 2-7/8	2	4-1/4	4-3/16	3/8
GD300-AA	3	3-3/8 - 3-1/2	2-1/2	5-1/4	5-3/16	1/2
GD350-AA	3-1/2	3-7/8 - 4	2-1/2	5-3/4	5-11/16	1/2
GD400-AA	4	4-3/8 - 4-1/2	2-5/8	6-7/8	6-3/16	1/2