

DOSSERT® TYPE GS-AA

Ground Clamp for 2 Cables to Perpendicular Pipe

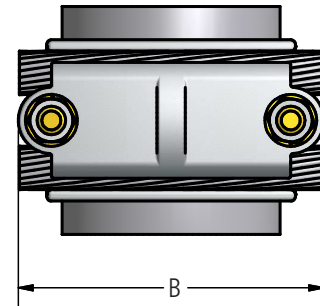
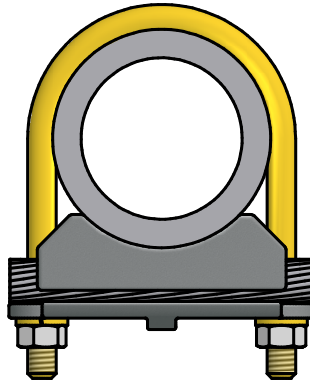
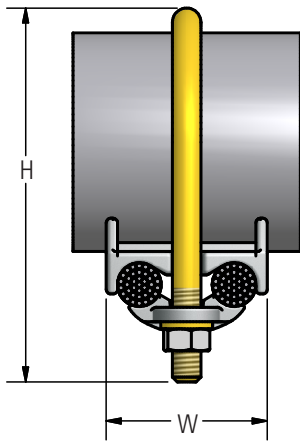
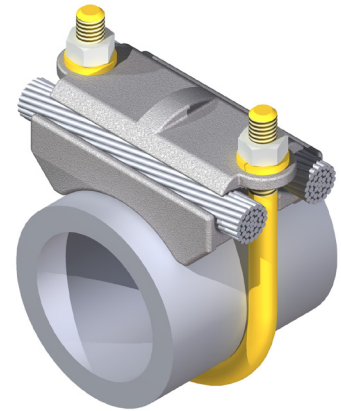
Ground clamp is designed to clamp two cables to pipe.

Material

Aluminum Alloy

Hardware

Yellow anodized aluminum nuts, U-bolt and lockwashers.



Ordering Information

CATALOG NUMBER	ROD	SPS	CABLE RANGE		DIMENSIONS IN INCHES			U-BOLT SIZE
			MIN	MAX	B	H	W	
GS25-4-AA	1/2	1/4	8 SOL	4 STR	1-13/16	2-1/8	1-7/16	3/8
GS25-13-AA	1/2	1/4	4 SOL	2/0 STR	1-13/16	2-1/4	1-7/8	3/8
GS25-25-AA	1/2	1/4	2/0 SOL	250 MCM	1-13/16	2-7/16	2	3/8
GS38-4-AA	5/8 or 3/4	3/8	8 SOL	4 STR	2	2-5/16	1-7/16	3/8
GS38-13-AA	5/8 or 3/4	3/8	4 SOL	2/0 STR	2	2-1/2	1-7/8	3/8
GS38-25-AA	5/8 or 3/4	3/8	2/0 SOL	250 MCM	2	2-5/8	2	3/8
GS38-50-AA	5/8 or 3/4	3/8	300 MCM	500 MCM	2-1/2	3-3/16	2-3/8	1/2
GS75-4-AA	7/8 or 1	1/2 or 3/4	8 SOL	4 STR	2-3/8	2-3/4	1-7/16	3/8
GS75-13-AA	7/8 or 1	1/2 or 3/4	4 SOL	2/0 STR	2-3/8	2-15/16	1-7/8	3/8
GS75-25-AA	7/8 or 1	1/2 or 3/4	2/0 SOL	250 MCM	2-3/8	3-1/16	2-3/16	3/8
GS75-50-AA	7/8 or 1	1/2 or 3/4	300 MCM	500 MCM	2-7/8	3-1/2	2-7/8	1/2
GS100-4-AA	-	1	8 SOL	4 STR	2-5/8	3-1/16	1-7/16	3/8
GS100-13-AA	-	1	4 SOL	2/0 STR	2-5/8	3-3/16	1-7/8	3/8
GS100-25-AA	-	1	2/0 SOL	250 MCM	2-5/8	3-3/8	2-3/16	3/8
GS100-50-AA	-	1	300 MCM	500 MCM	3-1/8	3-15/16	2-7/8	1/2
GS100-75-AA	-	1	500 MCM	750 MCM	3-1/8	4-1/8	3-1/4	1/2