

## DOSSERT®

### TYPE UPT-AA

#### U-bolt Pipe to Cable Tee Connector

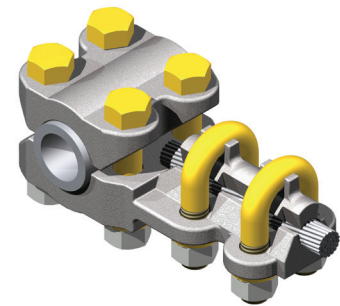
Tee connector is designed for connecting stranded aluminum or ACSR conductor to tubular bus. Four clamp bolts on each conductor insures positive electrical contact.

#### Material

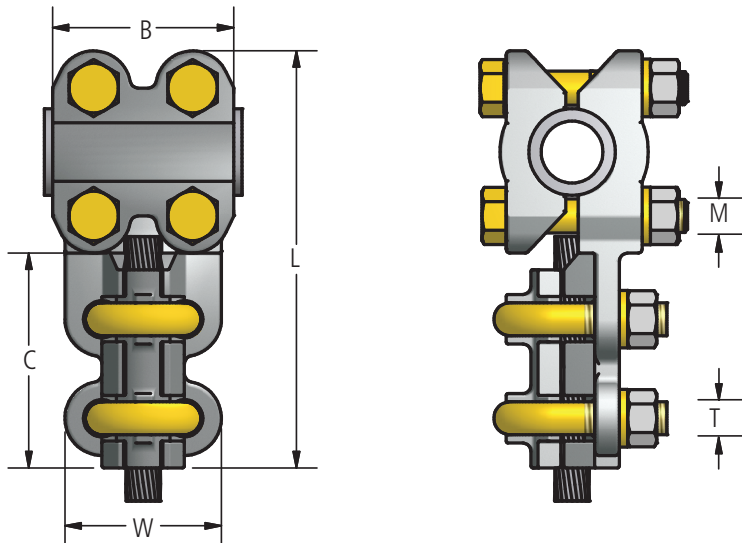
Aluminum Alloy

#### Hardware

Yellow anodized aluminum bolts, U-bolt, nuts, and lockwashers.



230 kV Aluminum Bolted Tee & Vee Connectors



### Ordering Information

| CATALOG NUMBER | SPS   | AAC CABLE RANGE |        | DIMENSIONS IN INCHES |       |       |     |     |         |
|----------------|-------|-----------------|--------|----------------------|-------|-------|-----|-----|---------|
|                |       | MIN             | MAX    | B                    | C     | L     | M   | T   | W       |
| UPT50-13-AA    | 1/2   | 6STR            | 2/0STR | 2 1/2                | 3     | 5 3/4 | 1/2 | 1/2 | 2 1/8   |
| UPT50-21-AA    | 1/2   | 1STR            | 4/0STR | 2 1/2                | 3     | 5 3/4 | 1/2 | 1/2 | 2 7/32  |
| UPT50-30-AA    | 1/2   | 1/0STR          | 300MCM | 2 1/2                | 3 1/4 | 6     | 1/2 | 1/2 | 2 5/16  |
| UPT75-13-AA    | 3/4   | 6STR            | 2/0STR | 2 3/4                | 3     | 6     | 1/2 | 1/2 | 2 1/8   |
| UPT75-21-AA    | 3/4   | 1STR            | 4/0STR | 2 3/4                | 3     | 6     | 1/2 | 1/2 | 2 7/32  |
| UPT75-30-AA    | 3/4   | 1/0STR          | 300MCM | 2 3/4                | 3 1/4 | 6 1/4 | 1/2 | 1/2 | 2 5/16  |
| UPT75-50-AA    | 3/4   | 300MCM          | 500MCM | 2 3/4                | 3 1/4 | 6 1/4 | 1/2 | 1/2 | 2 1/2   |
| UPT100-13-AA   | 1     | 6STR            | 2/0STR | 2 3/4                | 3     | 6 1/4 | 1/2 | 1/2 | 2 1/8   |
| UPT100-21-AA   | 1     | 1STR            | 4/0STR | 2 3/4                | 3     | 6 1/4 | 1/2 | 1/2 | 2 7/32  |
| UPT100-30-AA   | 1     | 1/0STR          | 300MCM | 2 3/4                | 3 1/4 | 6 1/2 | 1/2 | 1/2 | 2 5/16  |
| UPT100-50-AA   | 1     | 300MCM          | 500MCM | 2 3/4                | 3 1/4 | 6 1/2 | 1/2 | 1/2 | 2 1/2   |
| UPT100-90-AA   | 1     | 500MCM          | 900MCM | 2 3/4                | 3 1/2 | 6 3/4 | 1/2 | 1/2 | 2 13/16 |
| UPT125-13-AA   | 1 1/4 | 6STR            | 2/0STR | 3                    | 3     | 6 5/8 | 1/2 | 1/2 | 2 1/8   |

## DOSSERT®

### TYPE UPT-AA

#### U-bolt Pipe to Cable Tee Connector

#### Ordering Information

| CATALOG NUMBER | SPS   | AAC CABLE RANGE |         | DIMENSIONS IN INCHES |       |        |     |     |         |
|----------------|-------|-----------------|---------|----------------------|-------|--------|-----|-----|---------|
|                |       | MIN             | MAX     | B                    | C     | L      | M   | T   | W       |
| UPT125-21-AA   | 1 1/4 | 1STR            | 4/0STR  | 3                    | 3     | 6 5/8  | 1/2 | 1/2 | 2 7/32  |
| UPT125-30-AA   | 1 1/4 | 1/0STR          | 300MCM  | 3                    | 3 1/4 | 6 7/8  | 1/2 | 1/2 | 2 5/16  |
| UPT125-50-AA   | 1 1/4 | 300MCM          | 500MCM  | 3                    | 3 1/4 | 6 7/8  | 1/2 | 1/2 | 2 1/2   |
| UPT125-90-AA   | 1 1/4 | 500MCM          | 900MCM  | 3                    | 3 1/2 | 7 1/8  | 1/2 | 1/2 | 2 13/16 |
| UPT125-100-AA  | 1 1/4 | 750MCM          | 1000MCM | 3                    | 3 1/2 | 7 1/8  | 1/2 | 1/2 | 2 27/32 |
| UPT150-13-AA   | 1 1/2 | 6STR            | 2/0STR  | 3                    | 3     | 6 7/8  | 1/2 | 1/2 | 2 7/32  |
| UPT150-21-AA   | 1 1/2 | 1STR            | 4/0STR  | 3                    | 3     | 6 7/8  | 1/2 | 1/2 | 2 7/32  |
| UPT150-30-AA   | 1 1/2 | 1/0STR          | 300MCM  | 3                    | 3 1/4 | 7 1/8  | 1/2 | 1/2 | 2 5/16  |
| UPT150-50-AA   | 1 1/2 | 300MCM          | 500MCM  | 3                    | 3 1/4 | 7 1/8  | 1/2 | 1/2 | 2 1/2   |
| UPT150-90-AA   | 1 1/2 | 500MCM          | 900MCM  | 3                    | 3 1/2 | 7 3/8  | 1/2 | 1/2 | 2 13/16 |
| UPT150-100-AA  | 1 1/2 | 800MCM          | 1000MCM | 3                    | 3 1/2 | 7 3/8  | 1/2 | 1/2 | 2 27/32 |
| UPT150-150-AA  | 1 1/2 | 1000MCM         | 1500MCM | 3                    | 4 1/2 | 8 3/8  | 1/2 | 5/8 | 3 1/4   |
| UPT150-200-AA  | 1 1/2 | 1500MCM         | 2000MCM | 3                    | 4 1/2 | 8 3/8  | 1/2 | 5/8 | 3 3/4   |
| UPT200-21-AA   | 2     | 1STR            | 4/0STR  | 3 1/4                | 3     | 7 3/8  | 1/2 | 1/2 | 2 7/32  |
| UPT200-30-AA   | 2     | 1/0STR          | 300MCM  | 3 1/4                | 3 1/4 | 7 5/8  | 1/2 | 1/2 | 2 5/16  |
| UPT200-50-AA   | 2     | 300MCM          | 500MCM  | 3 1/4                | 3 1/4 | 7 5/8  | 1/2 | 1/2 | 2 1/2   |
| UPT200-90-AA   | 2     | 500MCM          | 900MCM  | 3 1/4                | 3 1/2 | 7 7/8  | 1/2 | 1/2 | 2 13/16 |
| UPT200-100-AA  | 2     | 750MCM          | 1000MCM | 3 1/4                | 3 1/2 | 7 7/8  | 1/2 | 1/2 | 2 27/32 |
| UPT200-150-AA  | 2     | 1000MCM         | 1500MCM | 3 1/4                | 4 1/2 | 8 7/8  | 1/2 | 5/8 | 3 1/4   |
| UPT200-200-AA  | 2     | 1500MCM         | 2000MCM | 3 1/4                | 4 1/2 | 8 7/8  | 1/2 | 5/8 | 3 3/4   |
| UPT250-30-AA   | 2 1/2 | 1/0STR          | 300MCM  | 3 1/4                | 3 1/4 | 8 1/8  | 1/2 | 1/2 | 2 5/16  |
| UPT250-50-AA   | 2 1/2 | 300MCM          | 500MCM  | 3 1/4                | 3 1/4 | 8 1/8  | 1/2 | 1/2 | 2 1/2   |
| UPT250-90-AA   | 2 1/2 | 500MCM          | 900MCM  | 3 1/4                | 3 1/2 | 8 3/8  | 1/2 | 1/2 | 2 13/16 |
| UPT250-100-AA  | 2 1/2 | 750MCM          | 1000MCM | 3 1/4                | 3 1/2 | 8 3/8  | 1/2 | 1/2 | 2 27/32 |
| UPT250-150-AA  | 2 1/2 | 1000MCM         | 1500MCM | 3 1/4                | 4 1/2 | 9 3/8  | 1/2 | 5/8 | 3 1/4   |
| UPT250-200-AA  | 2 1/2 | 1500MCM         | 2000MCM | 3 1/4                | 4 1/2 | 9 3/8  | 1/2 | 5/8 | 3 3/4   |
| UPT300-30-AA   | 3     | 1/0STR          | 300MCM  | 3 1/4                | 3 1/4 | 8 3/4  | 1/2 | 1/2 | 2 5/16  |
| UPT300-50-AA   | 3     | 300MCM          | 500MCM  | 3 1/4                | 3 1/4 | 8 3/4  | 1/2 | 1/2 | 2 1/2   |
| UPT300-90-AA   | 3     | 500MCM          | 900MCM  | 3 1/2                | 3 1/2 | 9      | 1/2 | 1/2 | 2 13/16 |
| UPT300-100-AA  | 3     | 750MCM          | 1000MCM | 3 1/4                | 3 1/2 | 9      | 1/2 | 1/2 | 2 27/32 |
| UPT300-150-AA  | 3     | 1000MCM         | 1500MCM | 3 3/4                | 4 1/2 | 10 3/8 | 5/8 | 5/8 | 3 1/4   |
| UPT300-200-AA  | 3     | 1500MCM         | 2000MCM | 3 3/4                | 4 1/2 | 10 3/8 | 5/8 | 5/8 | 3 3/4   |
| UPT400-30-AA   | 4     | 1/0STR          | 300MCM  | 3 3/4                | 4 1/2 | 10 3/8 | 5/8 | 5/8 | 2 5/16  |
| UPT500-150-AA  | 5     | 1000MCM         | 1500MCM | 3 3/4                | 4     | 10 3/8 | 5/8 | 5/8 | 3 1/4   |