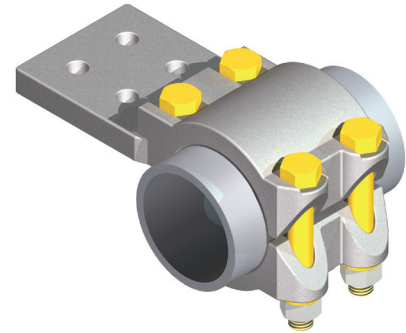


DOSSERT[®] TYPE PFTS-AA Pipe to NEMA Pad

Tee tap is designed to provide terminal connections on side of tubular bus. Four clamp bolts insure positive electrical contact. Pad conforms to NEMA standards.



Material

Aluminum Alloy

Hardware

Yellow anodized aluminum bolts, nuts and lockwashers.

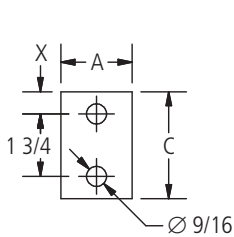


FIG. 1

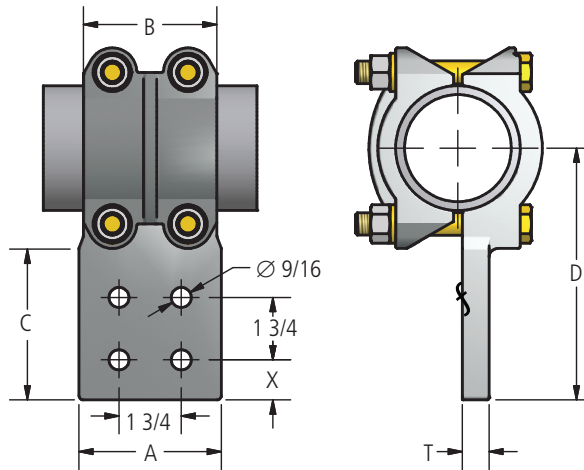


FIG. 2

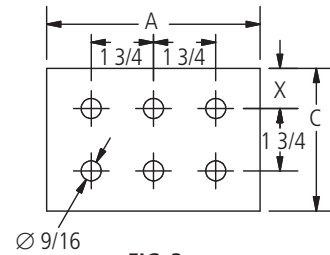


FIG. 3

Ordering Information

CATALOG NUMBER	SPS	FIG. NO.	DIMENSIONS IN INCHES						BOLT SIZE
			A	B	C	D	T	X	
PFTS75-1-2N-AA	3/4	1	2	2-3/4	3	4-5/8	3/8	5/8	1/2
PFTS75-1-4N-AA	3/4	2	3	2-3/4	3	4-5/8	3/8	5/8	1/2
PFTS100-1-2N-AA	1	1	2	2-3/4	3	4-13/16	3/8	5/8	1/2
PFTS100-1-4N-AA	1	2	3	2-3/4	3	4-13/16	3/8	5/8	1/2
PFTS125-1-2N-AA	1-1/4	1	2	3	3	4-15/16	1/2	5/8	1/2
PFTS125-1-4N-AA	1-1/4	2	3	3	3	4-15/16	1/2	5/8	1/2
PFTS125-1-4N4-AA	1-1/4	2	4	3	4	5-15/16	1/2	5/8	1/2
PFTS150-1-2N-AA	1-1/2	1	2	3	3	5-1/16	1/2	5/8	1/2
PFTS150-1-4N-AA	1-1/2	2	3	3	3	5-1/16	1/2	5/8	1/2
PFTS150-1-4N4-AA	1-1/2	2	4	3	4	6-1/16	1/2	1-1/8	1/2
PFTS200-1-2N-AA	2	1	2	3-1/4	3	5-5/16	5/8	5/8	1/2
PFTS200-1-3N-AA	2	2	3	3-1/4	3	5-5/16	5/8	5/8	1/2
PFTS200-1-4N-AA	2	2	3	3-1/4	3	5-5/16	5/8	5/8	1/2
PFTS200-1-4N4-AA	2	2	4	3-1/4	4	6-5/16	5/8	1-1/8	1/2
PFTS250-1-2N-AA	2-1/2	1	2	3-1/4	3	5-9/16	5/8	5/8	1/2
PFTS250-1-4N-AA	2-1/2	2	3	3-1/4	3	5-9/16	3/4	5/8	1/2
PFTS250-1-4N4-AA	2-1/2	2	4	3-1/4	4	6-9/16	3/4	1-1/8	1/2
PFTS300-1-2N-AA	3	1	2	3-3/4	3	6-1/16	3/4	5/8	5/8
PFTS300-1-4N-AA	3	2	3	3-3/4	3	6-1/16	3/4	5/8	5/8
PFTS300-1-4N4-AA	3	2	4	3-3/4	4	7-1/16	3/4	1-1/8	5/8
PFTS350-1-2N-AA	3-1/2	1	2	3-3/4	3	6-5/16	7/8	5/8	5/8
PFTS350-1-4N-AA	3-1/2	2	3	3-3/4	3	6-5/16	7/8	5/8	5/8
PFTS350-1-4N4-AA	3-1/2	2	4	3-3/4	4	7-5/16	7/8	1-1/8	5/8
PFTS350-1-6N4-AA	3-1/2	3	6	3-3/4	4	7-5/16	7/8	1-1/8	5/8
PFTS400-1-2N-AA	4	1	2	3-3/4	3	6-9/16	7/8	5/8	5/8
PFTS400-1-4N-AA	4	2	3	3-3/4	3	6-9/16	7/8	5/8	5/8
PFTS400-1-4N4-AA	4	2	4	3-3/4	4	7-9/16	7/8	1-1/8	5/8
PFTS400-1-6N4-AA	4	3	4	3-3/4	4	7-9/16	7/8	1-1/8	5/8
PFTS500-1-4N-AA	5	1	3	3-3/4	3	7-1/8	1	5/8	5/8
PFTS500-1-4N4-AA	5	2	4	3-3/4	4	8-1/8	1	1-1/8	5/8
PFTS500-1-6N4-AA	5	3	6	3-3/4	4	8-1/8	1	1-1/8	5/8
PFTS500R-1-4N4-AA	5 OD	2	4	3-1/4	4	7-13/16	1	1-1/8	5/8
PFTS600-1-4N4-AA	6	2	4	6	4	8-3/4	1	1-1/8	5/8