

## DOSSERT® TYPE CBP-AA Two Unit Bus Support For Cable

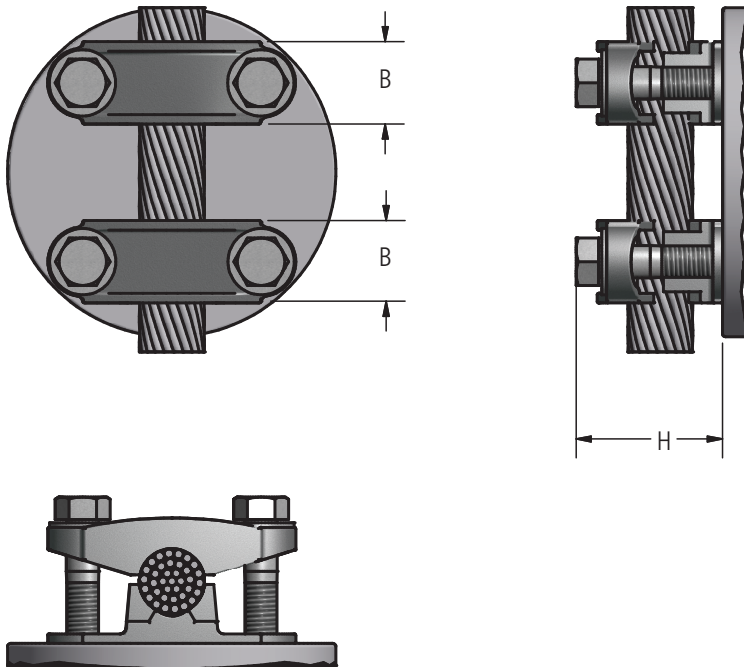
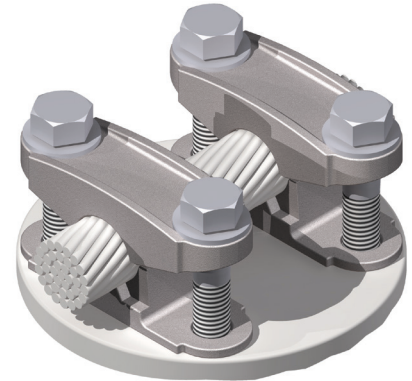
A two unit, four piece cable support which mounts conductor to cap of insulator. A single unit for light service can be supplied on request. Clamp is furnished with cap screws for threading into tapped holes of insulator.

### Material

Aluminum Alloy

### Hardware

Galvanized steel bolts and lockwashers.



## Ordering Information

CATALOG NUMBER	AAC CABLE RANGE		BOLT CIRCLE	DIMENSIONS IN INCHES		
	MIN	MAX		B	H	BOLT SIZE
CBP21-3-AA	2 Stranded	4/0 Stranded	3	1 1/8	1 9/16	1/2
CBP21-5-AA	2 Stranded	4/0 Stranded	5	1 3/8	1 13/16	5/8
CBP50-3-AA	2/0 Stranded	500 kcmil	3	1 1/8	1 13/16	1/2
CBP50-5-AA	2/0 Stranded	500 kcmil	5	1 3/8	2 1/16	5/8
CBP125-3-AA	550 kcmil	1250 kcmil	3	1 3/8	2 3/16	1/2
CBP125-5-AA	550 kcmil	1250 kcmil	5	1 5/8	2 3/4	5/8